



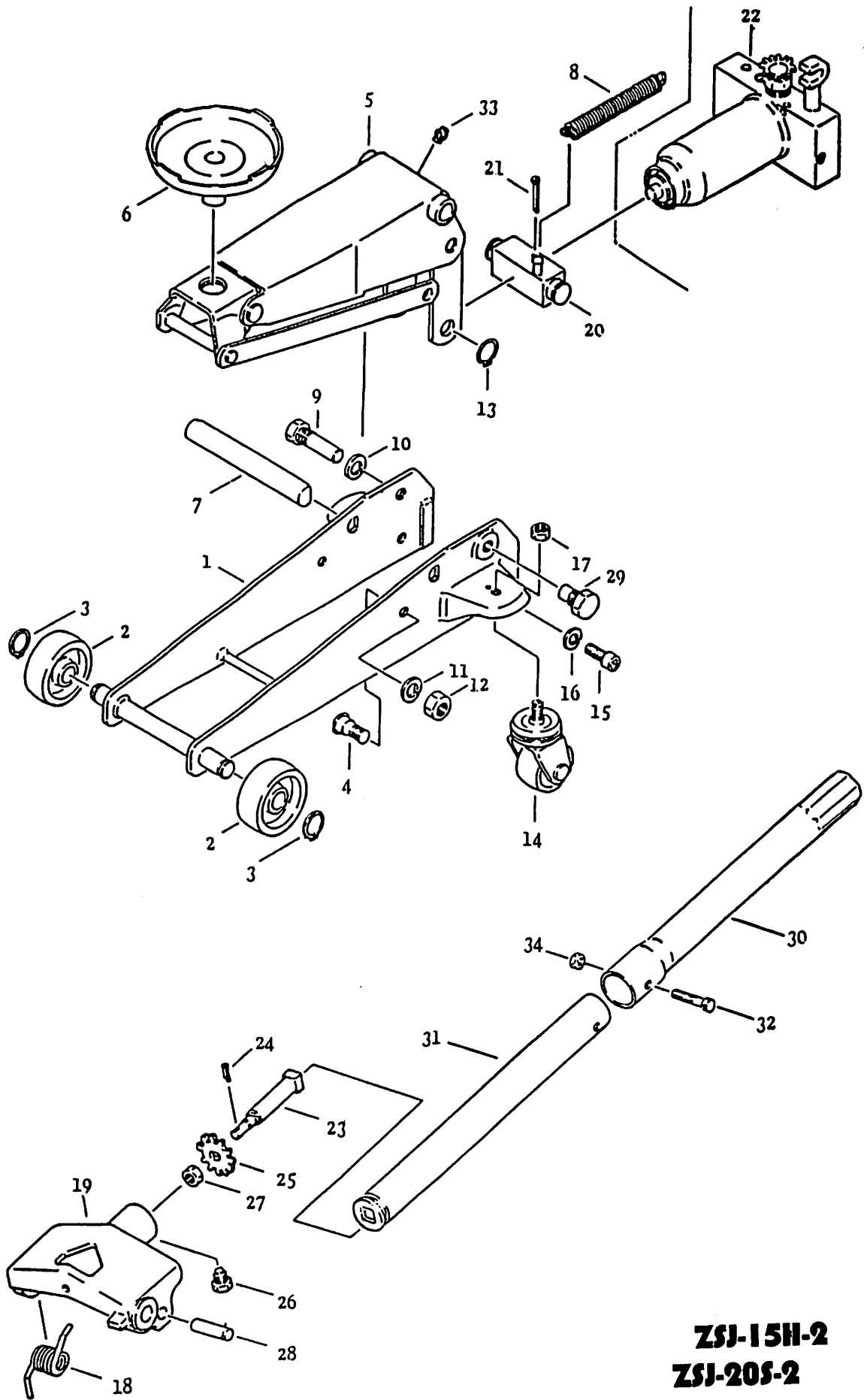
Zinko Hydraulic Jack

REPAIR PARTS LIST

SERVICE JACK

ZSJ-15H-2	1 1/2 TON
ZSJ-20S-2	2

FRAME ASSEMBLY



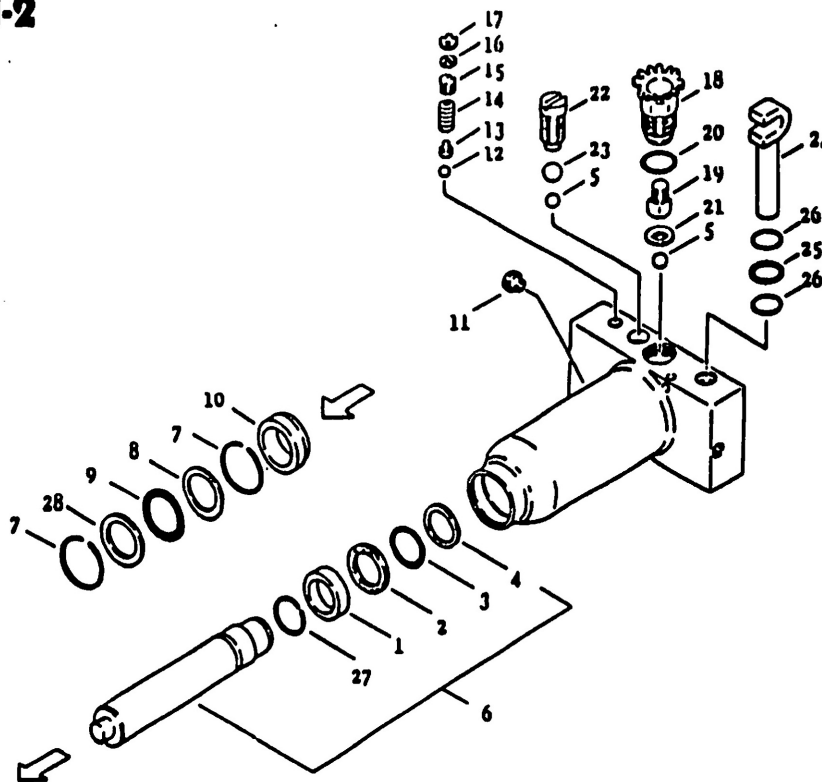
ZSJ-15H-2
ZSJ-20F-2

ZSJ-15H-2
ZSJ-20S-2

1 1/2 TON SERVICE JACK
2 TON SERVICE JACK PART LIST

PART NO.	DESCRIPTION	NO. REQD.
9040015 - .1	Side Plate & Axle Ass'y	1
9040015 - 2	Wheel (Front Axle)	2
9040015 - 3	Retainer Ring	2
9040015 - 4	Bolt (Link)	2
9040015 - 5	Lift Arm & Parallel Link Assembly	1
9040015 - 6	Saddle	1
9040015 - 7	Shaft	1
9040015 - 8	Return Spring	1
9040015 - 9	Bolt	1
9040015 - 10	Lockwasher	1
9040015 - 11	Lockwasher	2
9040015 - 12	Nut	2
9040015 - 13	Retainer Ring	2
9040015 - 14	Rear Wheel Assembly	2
9040015 - 15	Socket Head Cap Screw	2
9040015 - 16	Lockwasher	2
9040015 - 17	Lock Nut	2
9040015 - 18	Spring	1
9040015 - 19	Handle Socket	1
9040015 - 20	Block, Link/Ram Ass'y	1
9040015 - 21	Cotter Pin	1
9040015 - 22	Power Unit Assembly	1
9040015 - 23	Gear Shaft	1
9040015 - 24	Cotter Pin	1
9040015 - 25	Handle Socket Gear	1
9040015 - 26	Handle Bolt	1
9040015 - 27	Nut	1
9040015 - 28	Plunger Pin	1
9040015 - 29	Bolt	1
9040015 - 30	Handle (Upper Half)	1
9040015 - 31	Handle (Lower Half)	1
9040015 - 32	Hex Head Screw	1
9040015 - 33	Grease Fitting	1
9040015 - 34	Nut	1
*	Identification & Caution Decal	1

ZSJ-15H-2
ZSJ-20S-2



PART NO.	DESCRIPTION	NO. REQD.
9040015 - P 1	Ram Seal Washer	1
9040015 - P 2	"O" Ring	1
9040015 - P 3	"O" Ring	1
9040015 - P 4	Seal Retainer Washer	1
9040015 - P 5	Ball	2
9040015 - P 6	Ram Plunger Assembly	1
9040015 - P 7	Snap Ring	2
9040015 - P 8	Stopper Ring	1
9040015 - P 9	"O" Ring	1
9040015 - P 10	Spacer	1
9040015 - P 11	Oil Fill Plug	1
9040015 - P 12	Ball	1
9040015 - P 13	Plunger	1
9040015 - P 14	Compression Spring	1
9040015 - P 15	Adjusting Screw	1
9040015 - P 16	Gasket	1
9040015 - P 17	Pushing Nut	1
9040015 - P 18	Release Valve Assembly	1
9040015 - P 19	Actuator	1
9040015 - P 20	"O" Ring	1
9040015 - P 21	Guide Plate	1
9040015 - P 22	Plug (Screw)	1
9040015 - P 23	Ball	1
9040015 - P 24	Pump Plunger	1
9040015 - P 25	Back-up Ring	1
9040015 - P 26	"O" Ring	2
9040015 - P 27	Snap Ring	1
9040015 - P 28	Stopper Ring B	1
9040015	Repair Kit	1