



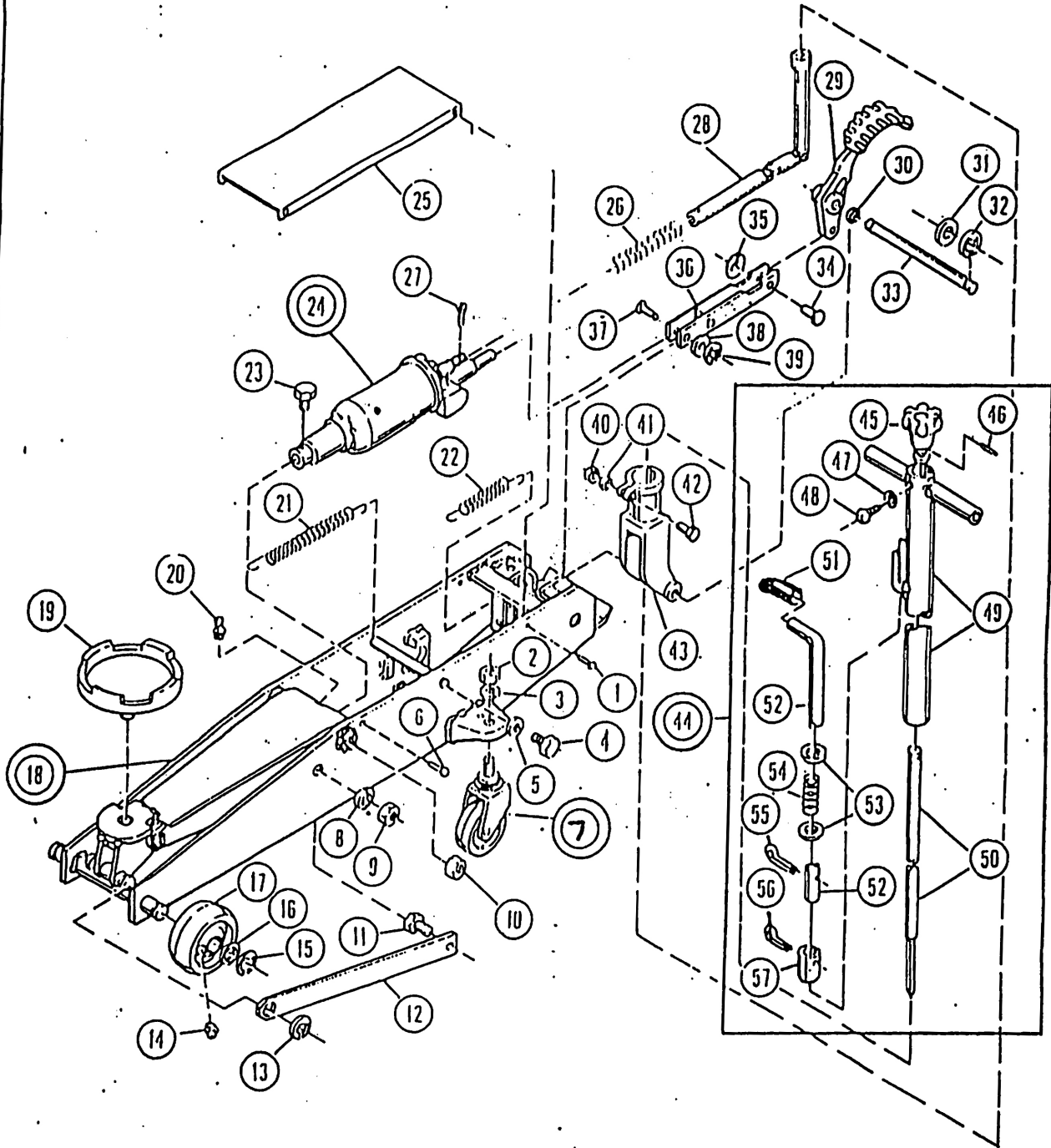
**Zinko Hydraulic Jack**

# **REPAIR PARTS DRAWING**

## **FOR SERVICE JACK**

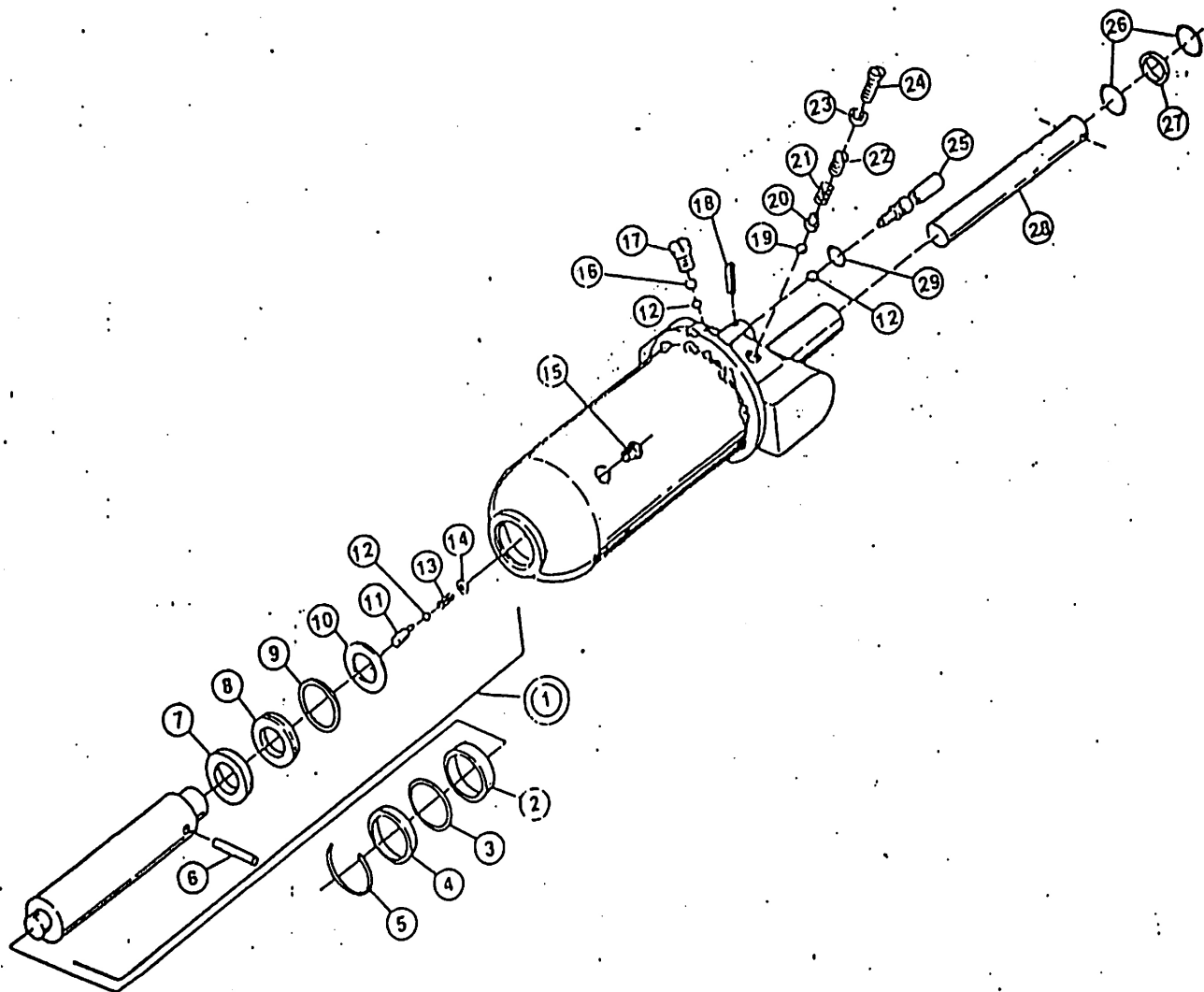
MODEL: ZSJ-100H

# REPAIR PARTS LIST



# REPAIR PARTS LIST

## POWER UNIT ASSEMBLY



CODE NO. With #.

SJ-100H 10 TON SERVICE JACK PART LIST & PRICE

PART NO.	DESCRIPTION	NO. REQD.
9040100 - 1	• Rivet	2
9040100 - 2	Nut	2
9040100 - 3	Spring Washer	2
9040100 - 4	• Bolt	2
9040100 - 5	• Spring Washer	2
9040100 - 6	• Screw	2
9040100 - 7	Rear Wheel Assembly	2
9040100 - 8	• Spring Washer	2
9040100 - 9	• Nut	2
9040100 - 10	Nut	2
9040100 - 11	Link Rod Bolt	2
9040100 - 12	Link Rod	2
9040100 - 13	• Ring, Stopper	2
9040100 - 14	• Grease Nipple	2
9040100 - 15	Ring, Stopper	2
9040100 - 16	Collar, Front	2
9040100 - 17	Wheel, Front	2
9040100 - 18	Frame & Lift Arm Assy	1
9040100 - 19	Saddle	1
9040100 - 20	• Grease Nipple	1
9040100 - 21	Return Spring	1
9040100 - 22	• Spring, Pedal	1
9040100 - 23	• Bolt	1
9040100 - 24	Power Unit Assembly	1
9040100 - 25	Cover	1
9040100 - 26	• Spring	1
9040100 - 27	• Bolt	1
9040100 - 28	Universal Joing	1
9040100 - 29	• Pedal	1
9040100 - 30	• Dry Bearing	1
9040100 - 31	• Washer	2
9040100 - 32	• E Ring	2
9040100 - 33	Shaft	1
9040100 - 34	• Link Pin	1
9040100 - 35	• Push Nut	1
9040100 - 36	Link	1
9040100 - 37	• Pump Plunger pin	1
9040100 - 38	• Washer	1
9040100 - 39	• Ring. Stopper	1
9040100 - 40	• Nut	1
9040100 - 41	• Washer	1
9040100 - 42	• Bolt	1
9040100 - 43	• Handle Socket	1
9040100 - 44	• Handle Assy, Complete	1
9040100 - 45	• Grip	1
9040100 - 46	• Spring Pin	1
9040100 - 47	• Spring Washer	1

SJ-100H 10 TON SERVICE JACK PART LIST & PRICE

PART NO.	DESCRIPTION	NO. REQD.
9040100 - 48	* Screw	1
9040100 - 49	* Handle	1
9040100 - 50	* Release Rod	1
9040100 - 51	* Tube	1
9040100 - 52	* Lever	1
9040100 - 53	* Washer	1
9040100 - 54	* Spring, Lock	1
9040100 - 55	* Cotter Pin	1
9040100 - 56	* Cotter Pin	1
9040100 - 57	* Lock Pin	1
<b>POWER UNIT ASSEMBLY</b>		
9040100 - P 1*	* Rum Assy	1
9040100 - P 2*	* Ring, Stopper	1
9040100 - P #3*	* "O" Ring Cylinder	1
9040100 - P 4*	* Stuffing Ring	1
9040100 - P 5*	* Snap Ring	1
9040100 - P 6*	* Pin, Horizontal	1
9040100 - P 7*	* Packing Seat	1
9040100 - P #8*	* Back-up Ring	1
9040100 - P #9*	* "O" Ring, Ram	1
9040100 - P 10*	* Stopper, Ram "O" Ring	1
9040100 - P 11*	* Pin, Vertical	1
9040100 - P 12*	* Ball	1
9040100 - P 13*	* Ram Spring	1
9040100 - P 14*	* Stopper, Ram Spring	1
9040100 - P #15*	* Oil Plug	1
9040100 - P 16*	* Ball	1
9040100 - P 17*	* Plug	1
9040100 - P 18*	* Spring Pin	1
9040100 - P 19*	* Ball	1
9040100 - P 20*	* Ball Seat	1
9040100 - P 21*	* Spring	1
9040100 - P 22*	* Plug, Safety Valve	1
9040100 - P #23*	* Packing	1
9040100 - P 24*	* Plug, Safety Valve	1
9040100 - P 25*	* Release Stem	1
9040100 - P #26*	* "O" Ring, Pump	1
9040100 - P #27*	* Back-up Ring	1
9040100 - P 28*	* Pump Plunger	1
9040100 - P #29*	* "O" Ring, Pump	1
9040100	Repair Kit	1
# Included in 9040100	Repair Kit	