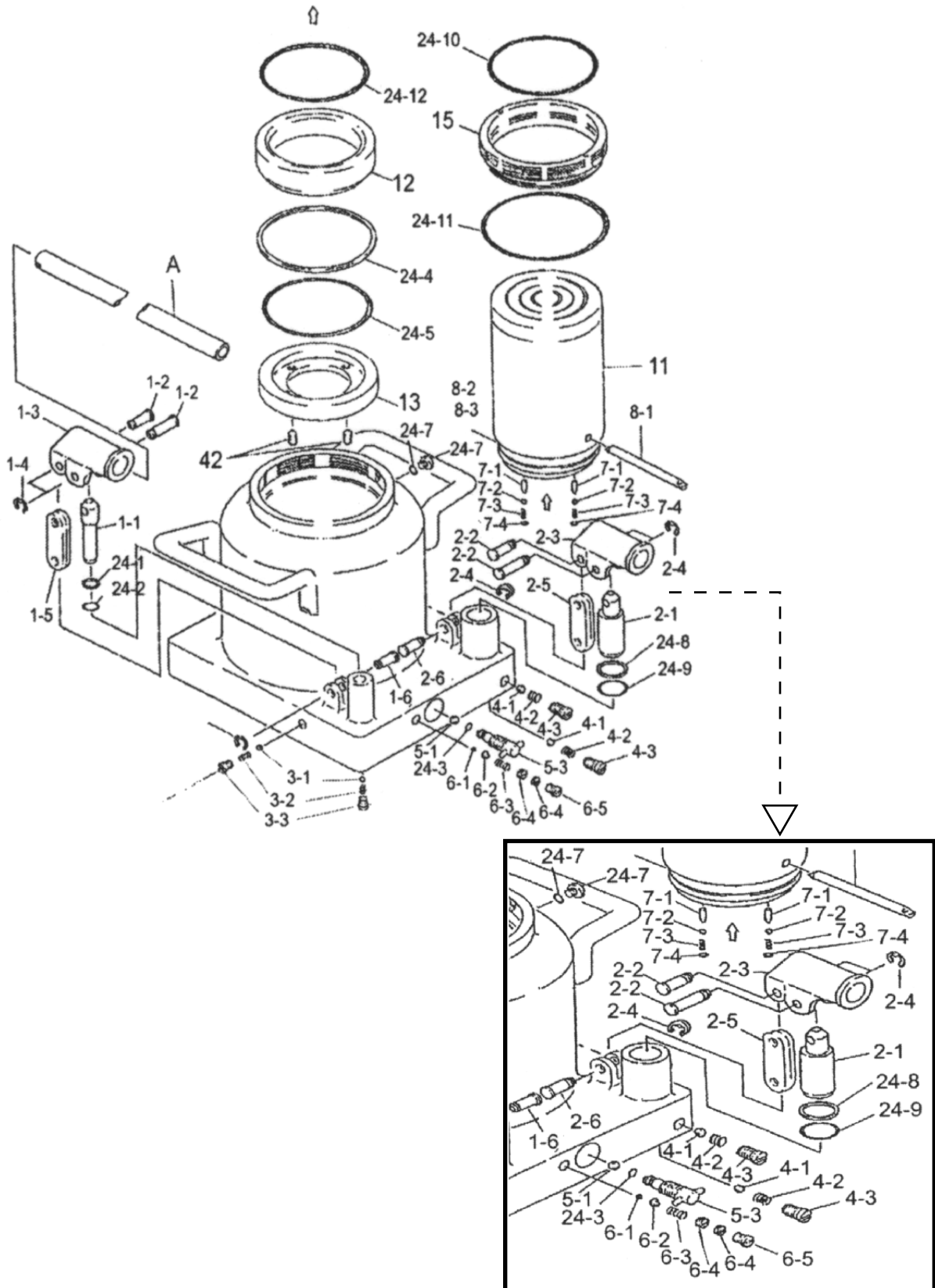




ZN-100 Parts Breakdown

Toll Free: 1-800-579-8088 Web: www.zinko.com

REV 092507
Page 1 of 2





ZN-100 Parts Breakdown

Toll Free: 1-800-579-8088 Web: www.zinko.com

REV 092507
Page 2 of 2

Part # □ Description

A□ Handle

RP□ Repair Kit

- 24-1 Pump Backup Ring
- 24-2 Pump Packing
- 24-3 Release Packing
- 24-4 Ram Backup Ring
- 24-5 Ram Packing
- 24-6 Cylinder Packing
- 24-7 Oil Plug & O-Ring
- 24-8 Lower Pressure Pump Backup Ring
- 24-9 Lower Pressure Pump Packing
- 24-10 Inner Packing

1□ Hand Socket Assy

- 1-1 Pump Plunger
- 1-2 Pump Plunger Pin
- 1-3 Handle Socket Assy
- 1-4 Snap Ring
- 1-5 Pump Stay
- 1-6 Pump Stay Pin
- 24-1 Pump Backup Ring
- 24-2 Pump Packing

2□ Lower Pressure Handle Socket Assy

- 2-1 Lower Pressure Pump Plunger
- 2-2 Pump Plunger Pin
- 2-3 Lower Pressure Handle Socket
- 2-4 Snap Ring
- 2-5 Pump Stay
- 2-6 Pump Stay Pin
- 24-8 Lower Pressure Pump Backup Ring
- 24-9 Lower Pressure Pump Packing

3 □ Valve Plug Set

- 3-1 Valve Ball
- 3-2 Valve Spring
- 3-3 Valve Plug

Part # □ Description

4□ Pressure Valve Plug Set

- 4-1 Lower Pressure Valve Ball
- 4-2 Lower Pressure Valve Spring
- 4-3 Pressure Valve Plug

5□ Release Assy Set

- 5-1 Release Ball
- 5-3 Release Assy
- 24-3 Release Packing

6□ Safety Valve Plug Set

- 6-1 Safety Valve Ball
- 6-2 Safety Valve Receiver
- 6-3 Safety Valve Spring
- 6-4 Safety Valve Adjusting Screw
- 6-5 Safety Valve Plug

7□ Ram Stopper Ring Set

- 7-1 Vertical Pin
- 7-2 Valve Ball
- 7-3 Ram Spring
- 7-4 Ram Spring Stopper Ring

8□ Horizon Pin Set

- 8-1 Horizon Pin
- 8-2 Supporting Plate
- 8-3 Snap Ring

11□ Ram

- 12□ Ram Packing Seat**
- 13□ Ram Packing Stopper**
- 15□ Stuffing Ring**
- 42□ Set Screw**