

Please read and save these instructions. Read carefully before attempting to assemble, install, operate or maintain the product described. Protect yourself and others by observing all safety information. Failure to comply with instructions could result in personal injury and/or property damage! Retain instructions for future reference.

Westward® Hydraulic Floor Jacks

Description

Westward hydraulic floor jacks are for lifting part of a total vehicle (i.e., one wheel). Jacks are equipped with a built-in by-pass device to prevent damage to jack from overpumping. An internal safety valve prevents damage to jack from overloading. Applications include use in automotive, truck, farm, industrial and construction use. These jacks are designed to meet applicable ASME/ANSI - PALD Standards .

Specifications

Model	Capacity	Chassis Length	Handle Length	Low Pick Up Height	High Lifting Point	Power Raise
3ZC65	2 1/2 Ton	24 1/2 "	24 3/4 "	5"	16 1/2"	11 1/2"
3ZC67	2 1/2	25 3/8	42 1/8	5	19	14
5ML65	3	25	42 1/8	5 1/4	19	13 3/4

General Safety Information

WARNING Study, understand, and follow all instructions before operating this device.

Lifting device only.

Intended use is for lifting part of a total vehicle, only one wheel or axle at a time.

Immediately after lifting, support vehicle with appropriate means.

Do not exceed rated capacity.

Use only on hard , level surfaces capable of sustaining rated capacity loads.

Lift only on those areas of the vehicle as specified by the vehicle manufacturer.

Ensure that the lift point is properly centered on the jack saddle.

Always wear safety glasses when using this equipment.

Inspect jack before each use.

Do not use if bent, broken, leaking, or damaged components are noted.

No alteration of this product is allowed.

Do not use this device for any purpose other than that for which it was intended.

Failure to heed any one or combination of these warnings may result in severe personal injury and/or property damage.

Assembly

Use Figure 1 or 2 as reference.

- FOR MODELS 3ZC67 and 5ML65
 - Locate and attach the upper handle section into the lower handle section using the hex head bolt provided.
 - Position handle assembly into the handle sleeve. Ensure that release valve can be operated easily, then secure handle assembly by using the hex head bolt provided.
- Occasionally, hydraulic jacks become air bound during shipment and will not function properly. To correct this condition, remove oil filler plug (See Figure 3). This will allow any pressurized air to escape.
- Ensure the oil level is even with or just below the oil filler plug hole.
- Reinstall the oil filler plug.
- Squirt a small amount of hydraulic jack oil on piston (See Figure 3) and thoroughly lubricate all moving parts of jack.

Operation

WARNING Off center loads and loads lifted while jack is not level may damage the jack or cause personal injury.

LIFTING

- Help prevent inadvertent vehicle movement by fully engaging emergency brake, putting transmission in park. Use wheel chocks in pairs on the wheel diagonally opposed to the wheel or axle lifted.
- Model 3ZC65. With notched end of jack handle (See Figure 1), close release valve by turning handle clockwise until it is firmly closed.
- Models 3ZC67 and 5ML65. Close release valve (See Figure 2) by turning handle clockwise.
- Position jack under proper lift point, operate jack until solid contact with lift point is made. Ensure load is centered on saddle.
- Raise load to desired height by pumping handle or squeezing air control valve. Immediately transfer load to appropriate jack stands.

LOWERING

WARNING Keep hands, feet, and clutter clear of ground area when lowering the load.

- Model 3ZC65. With notched end of jack handle (See Figure 1), slowly open release valve by turning handle counterclockwise no more than one full turn.
- Models 3ZC67 and 5ML65. Open release valve (See Figure 2) very slowly by turning handle counterclockwise no more than one full turn.

Westward® Hydraulic Floor Jacks

Operation (Continued)

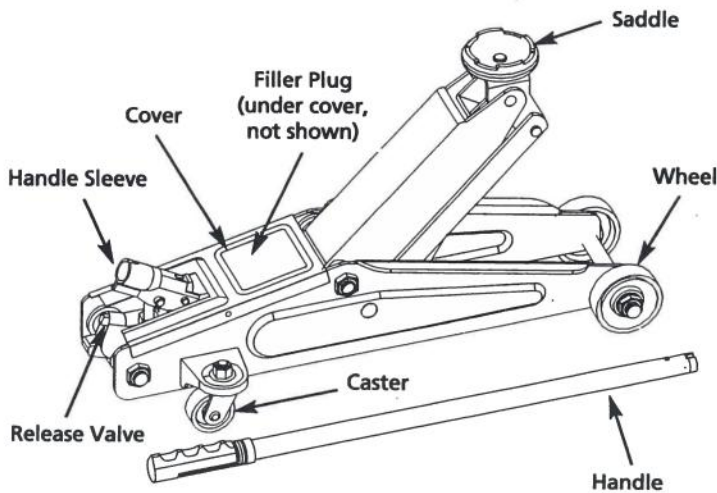


Figure 1 - Hydraulic Floor Jack Components for 3ZC65

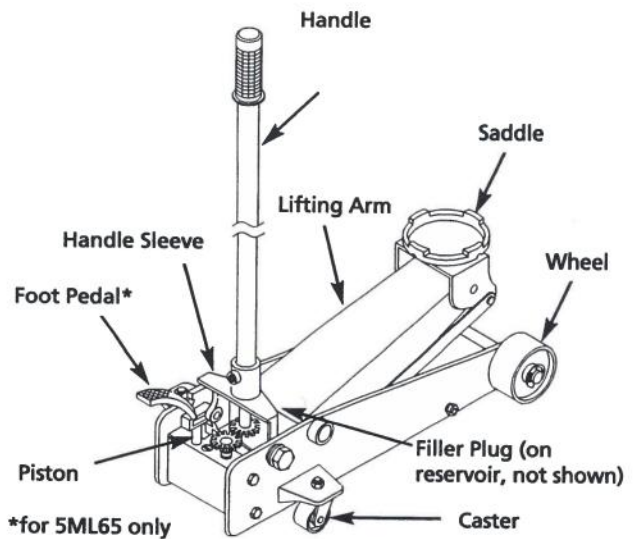


Figure 2 - Hydraulic Floor Jack Components for 3ZC67 & 5ML65

IMPORTANT: Avoid "shock loads" created by quickly opening and closing the release valve as load is being lowered. This may result in overloading of the hydraulic circuit and possible damage to the jack.

Maintenance

CAUTION Use only a good jack oil, avoid mixing types of oil. Do not use brake fluid, alcohol, glycerin, motor oil, or dirty oil. Improper fluid can cause serious internal damage to the jack rendering it inoperative.

ADDING OIL

1. Position the jack on level ground and fully lower the saddle. Remove oil filler plug (See Figure 3).
2. Fill oil just below filler hole.
3. Reinstall oil filler plug.

REPLACING OIL

1. Remove oil filler plug.
2. Turn jack over and drain oil out through oil filler plug hole.
3. Refill with new oil through the oil filler plug hole.

CAUTION Do not allow dirt or other foreign material to enter the hydraulic system when filling.

4. After refilling, remove air from system by opening release valve and rapidly pumping handle several times. Reinstall oil filler plug when done.

LUBRICATION

A coating of light lubrication oil to pivot points, axles and hinges sections every 3 months, will help to prevent rust and assure that wheels, casters and pump assemblies move freely.

RUST PREVENTION

Check ram (See Figure 3) every 3 months for any sign of rust or corrosion. Clean as needed and wipe with an oil saturated cloth.

NOTE: When not in use, always leave the saddle and ram all the way down.

Models 3ZC65, 3ZC67 and 5ML65

Maintenance (Continued)

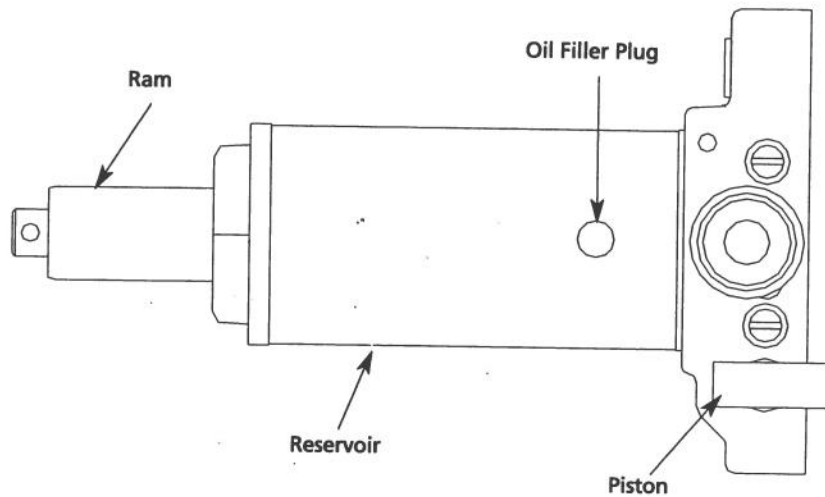


Figure 3 - Power Unit of Hydraulic Floor Jack

Troubleshooting Chart

Symptom	Possible Cause(s)	Corrective Action
Jack will not lift load	<ol style="list-style-type: none"> 1. Release valve not tightly closed 2. Overload condition 	<ol style="list-style-type: none"> 1. Ensure release valve tightly closed 2. Remedy overload condition
Jack won't stay up after lift	<ol style="list-style-type: none"> 1. Same as above 2. Hydraulic unit malfunctioning 	<ol style="list-style-type: none"> 1. Same as above 2. Replace
Jack will not lower after unloading	<ol style="list-style-type: none"> 1. Reservoir overfilled 2. Linkages binding 	<ol style="list-style-type: none"> 1. Drain fluid to proper level 2. Clean and lubricate moving parts
Poor lift performance	<ol style="list-style-type: none"> 1. Fluid level low 2. Air trapped in system 	<ol style="list-style-type: none"> 1. Ensure proper fluid level 2. With ram fully retracted, remove oil filler plug to let pressurized air escape, reinstall oil filler plug
Will not lift to full height	Fluid level low	Ensure proper fluid level

Westward Hydraulic Floor Jacks

5/4/2004

PAID VISA CARD HAS EXTENDED WARRANTY BY VISA

LIMITED WARRANTY

WESTWARD ONE-YEAR LIMITED WARRANTY. Hydraulic Floor Jacks, Models covered in this manual, are warranted by Westward to the original user against defects in workmanship or materials under normal use for one year after date of purchase. Any part which is determined to be defective in material or workmanship and returned to an authorized service location, as Westward designates, shipping costs prepaid, will be, as the exclusive remedy, repaired or replaced at Westward's option. For limited warranty claim procedures, see PROMPT DISPOSITION below. This limited warranty gives purchasers specific legal rights which vary from jurisdiction and jurisdiction.

LIMITATION OF LIABILITY. To the extent allowable under applicable law, Westward's liability for consequential and incidental damages is expressly disclaimed. Westward's liability in all events is limited to and shall not exceed the purchase price paid.

WARRANTY DISCLAIMER. Westward has made a diligent effort to provide product information and illustrate the products in this literature accurately; however, such information and illustrations are for the sole purpose of identification, and do not express or imply a warranty that the products are MERCHANTABLE, or FIT FOR A PARTICULAR PURPOSE, or that the products will necessarily conform to the illustrations or descriptions.

Except as provided below, no warranty or affirmation of fact, expressed or implied, other than as stated in the "LIMITED WARRANTY" above is made or authorized by Westward.

PRODUCT SUITABILITY. Many jurisdictions have codes and regulations governing sales, construction, installation, and/or use of products for certain purposes, which may vary from those in neighboring areas. While Westward attempts to assure that its products comply with such codes, it cannot guarantee compliance, and cannot be responsible for how the product is installed or used. Before purchase and use of a product, review the product applications, and all applicable national and local codes and regulations, and be sure that the product, installation, and use will comply with them.

Certain aspects of disclaimers are not applicable to consumer products; e.g., (a) some jurisdictions do not allow the exclusion or limitation of incidental or consequential damages, so the above limitation or exclusion may not apply to you; (b) also, some jurisdictions do not allow a limitation on how long an implied warranty lasts, consequentially the above limitation may not apply to you; and (c) by law, during the period of this Limited Warranty, any implied warranties of implied merchantability or fitness for a particular purpose applicable to consumer products purchased by consumers, may not be excluded or otherwise disclaimed.

PROMPT DISPOSITION. Westward will make a good faith effort for prompt correction or other adjustment with respect to any product which proves to be defective within limited warranty. For any product believed to be defective within limited warranty, first write or call dealer from whom the product was purchased. Dealer will give additional directions. If unable to resolve satisfactorily, write to Westward at address below, giving dealer's name, address, date, and number of dealer's invoice, and describing the nature of the defect. Title and risk of loss pass to buyer on delivery to common carrier. If product was damaged in transit to you, file claim with carrier.

Manufactured for Grainger International, 100 Grainger Pkwy., Lake Forest, Illinois 60045 U.S.A.

For Repair Parts, call 1-800-323-0620
24 hours a day - 365 days a year

Please provide following information:

- Model number
- Serial number (if any)
- Part description and number as shown in parts list

Address parts correspondence to:

Grainger Parts
 P.O. Box 3074
 1657 Shermer Road
 Northbrook, IL 60065-3074 U.S.A.

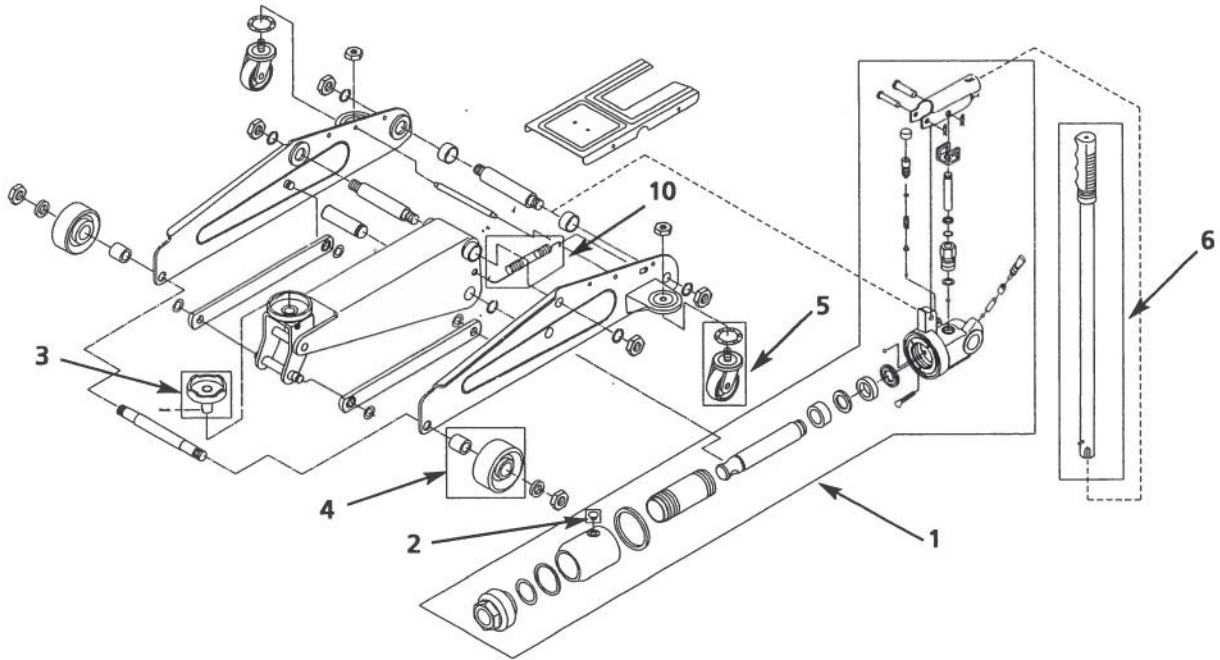


Figure 4 — Repair Parts Illustration for Model 3ZC65

Reference Number	Description	Part Number For Model: 3ZC65 (2 1/2 Ton)	Quantity
1	Power Unit	34502	1
2	Oil Filler Plug	34507	1
3	Saddle	34503	1
4	Front Wheel Assembly	34505	2
5	Rear Caster Assembly	34504	2
6	Handle Assembly	34501	1
10	Return Spring	34508	1

For Repair Parts, call 1-800-323-0620
24 hours a day - 365 days a year

Please provide following information:

- Model number
- Serial number (if any)
- Part description and number as shown in parts list

Address parts correspondence to:

Grainger Parts
 P.O. Box 3074
 1657 Shermer Road
 Northbrook, IL 60065-3074 U.S.A.

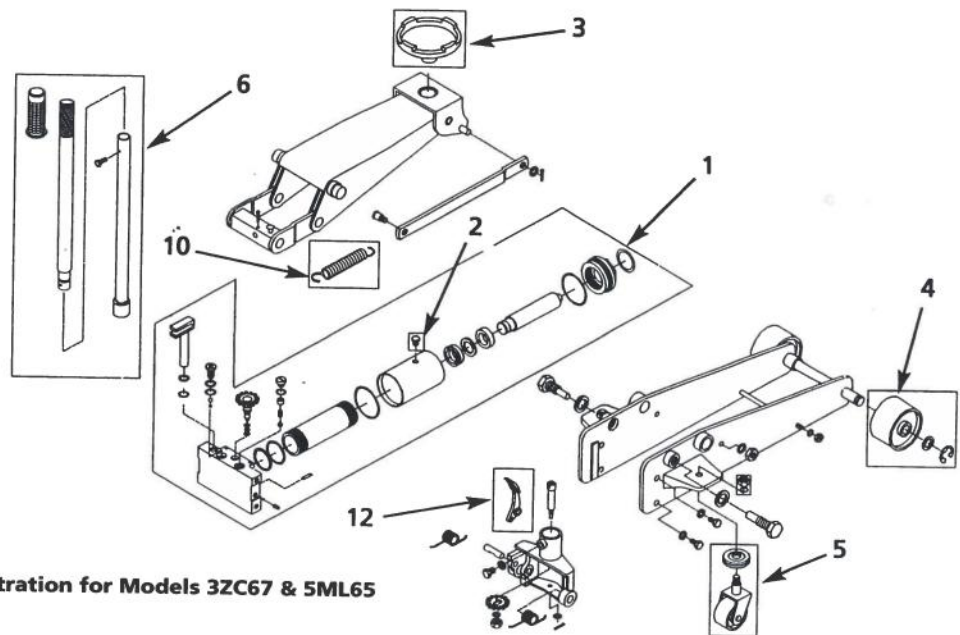


Figure 5 — Repair Parts Illustration for Models 3ZC67 & 5ML65

Reference Number	Description	Part Number For Models:		Quantity
		3ZC67 (2 1/2 Ton)	5ML65 (3 Ton)	
1	Power Unit	49002	493P02	1
2	Oil Filler Plug	49007	493P07	1
3	Saddle	49001	493P01	1
4	Front Wheel Assembly	49004	493P04	2
5	Rear Caster Assembly	49006	493P06	2
6	Handle Assembly	49003	493P03	1
10	Return Spring	49008	493P08	1
12	Foot Pedal	N/A	493P12	1
13	Foot Pedal Return Spring	N/A	493P13	1
14	Handle Fork Return Spring	49014	493P14	1