

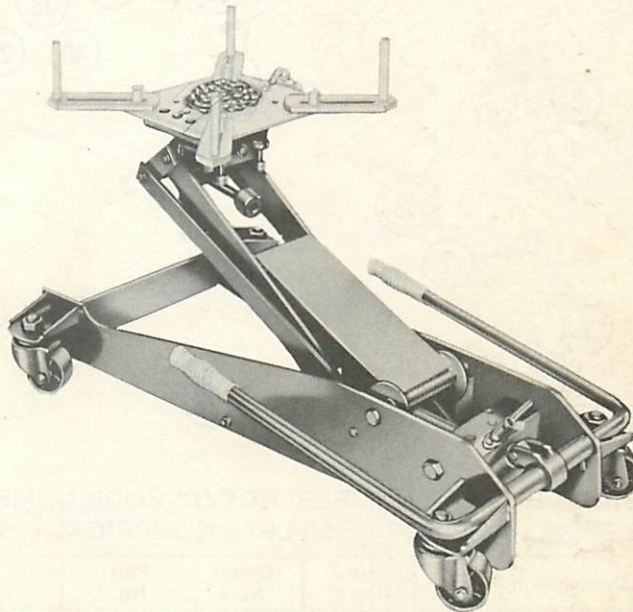
WALKER

**SERVICE
DIVISION**

Jack Parts Sheet

**MODEL 93716
SERIES "D"**

**1/2 TON CAPACITY
HYDRAULIC TRANSMISSION JACK**



SERVICE

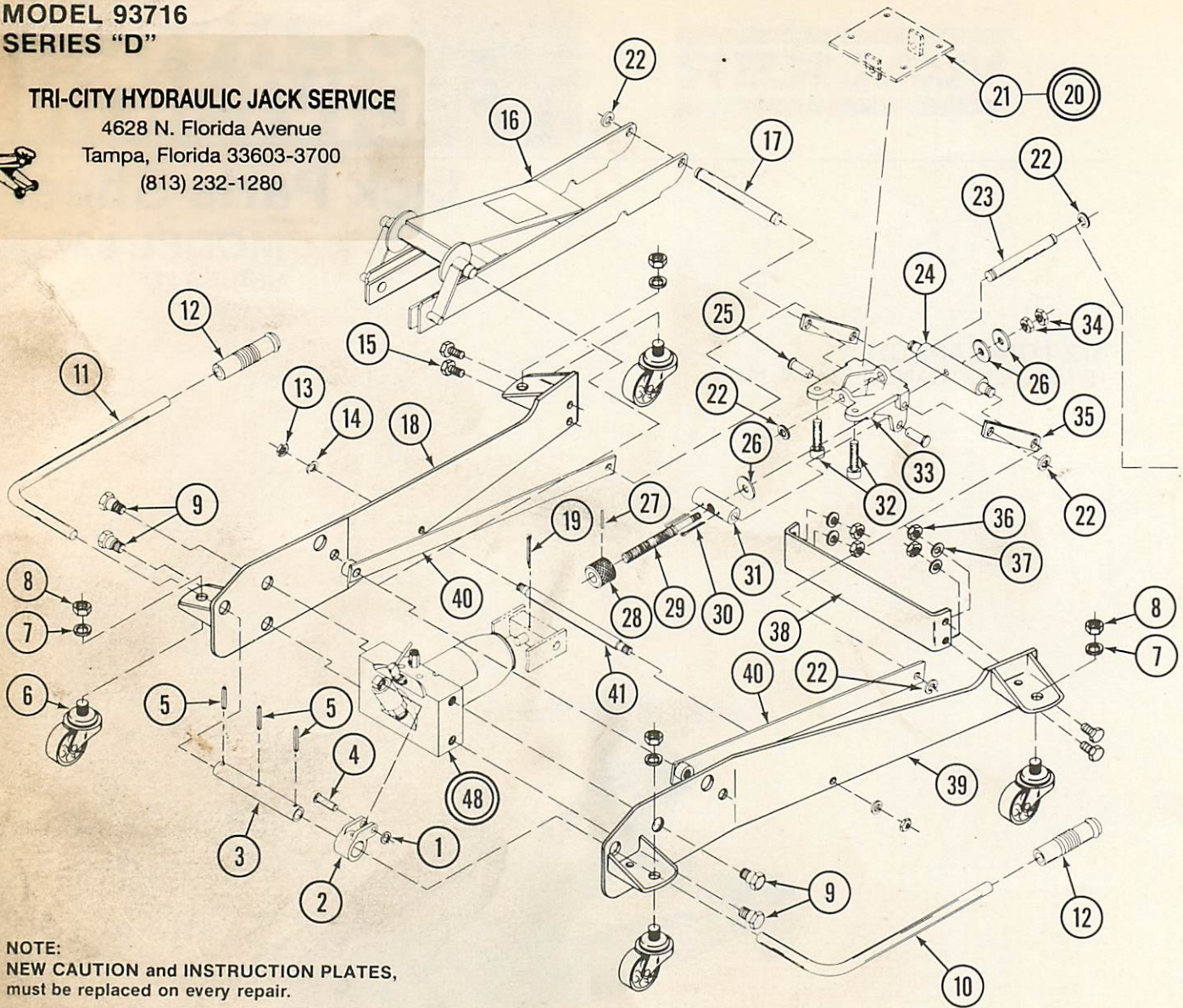
We have Factory-owned BRANCHES AND AUTHORIZED SERVICE DEPOTS located in the principal cities of the United States and Canada. They are operated by FACTORY TRAINED STAFFS and carry a comprehensive stock of REPAIR PARTS. Please contact the Factory or your Walker DISTRIBUTOR for location of Branch or Service Depot nearest you.

Walker Manufacturing GENERAL OFFICE: Racine, Wisconsin — MANUFACTURING PLANT AND SERVICE DEPARTMENT: Jonesboro, Arkansas — FACTORY SERVICE BRANCHES: Atlanta, Georgia — Cleveland, Ohio — Kansas City (Riverside), Missouri — Philadelphia, Pennsylvania — Sacramento, California.

**MODEL 93716
SERIES "D"**

TRI-CITY HYDRAULIC JACK SERVICE

4628 N. Florida Avenue
Tampa, Florida 33603-3700
(813) 232-1280



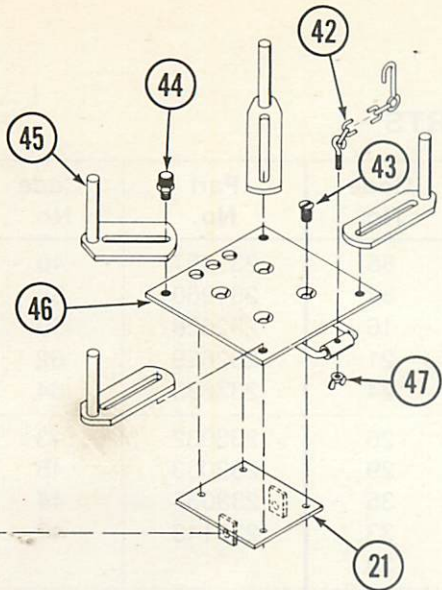
NOTE:
NEW CAUTION and INSTRUCTION PLATES,
must be replaced on every repair.

ORDER BY PART NUMBER, NOT BY CODE NUMBER
SEE BACK PAGE FOR COMPLETE NUMERICAL LISTING

Code No.	Part No.	Description	No. Req'd.	Code No.	Part No.	Description	No. Req'd.
1	220018	Retaining Ring	1	26	227717	Washer	3
2	227576	Handle Socket	1	27	217782	Rollpin	1
3	227579	Tube - Handle Socket	1	28	218962	Knob	1
4	228247	Pin	1	29	227718	Tilt Screw	1
5	219531	Rollpin	3	30	227766	Cotter Pin	2
6	231603	Caster	4	31	227724	Pivot Nut	1
7	209970	Washer	4	32	227726	Tilt Screw	2
8	203349	Nut	4	33	227721	Cradle	1
9	231589	Shoulder Bolt	4	34	203275	Nut	2
10	227723	Handle - Pump, R.H.	1	35	227720	Link	2
11	228789	Handle - Pump, L.H.	1	36	203275	Nut	4
12	221365	Handle Grip	2	37	201789	Lockwasher	4
13	203265	Nut	2	38	231960	Spacer - Sideplate	1
14	226738	Lockwasher	2	39	231951	Sideplate Assy. - R.H.	1
15	212638	Bolt	4	40	231957	Stud & Link Assy.	2
16	227682	Bellcrank Assy.	1	41	228570	Pin - Spacer	1
17	227719	Pin	1	42	220861	Chain Assy.	1
18	231952	Sideplate Assy. - L.H.	1	43	233032	Screw	4
19	204511	Cotter Pin	1	44	233037	Locking Bolt	4
20	228002	Cradle & Tilt Pad Assy.	1	45	233033	Swing Arm Assy.	4
21	227692	Tilt Pad & Block Assy.	1	46	233143	Top Plate	1
22	201801	Retaining Ring	6	47	220865	Wing Nut	1
23	224889	Pin	1	48	NOTE 1	Hydraulic Unit Assy.	1
24	227715	Tilt Pin	1			(See Page 3)	
25	214599	Pin	2				

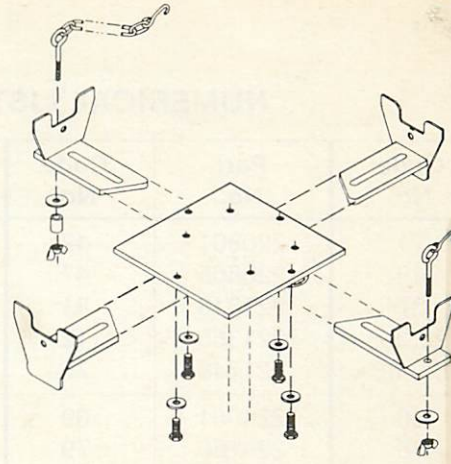
NOTE 1 - When complete Hydraulic Unit is required, contact nearest Factory Branch or Service Depot for information.

**MODEL 93716
SERIES "D"**



**SWING ARM DESIGN
(CURRENT PRODUCTION)**

NOTE: ORDER 93288 WHEN COMPLETE ASSEMBLY IS REQUIRED.

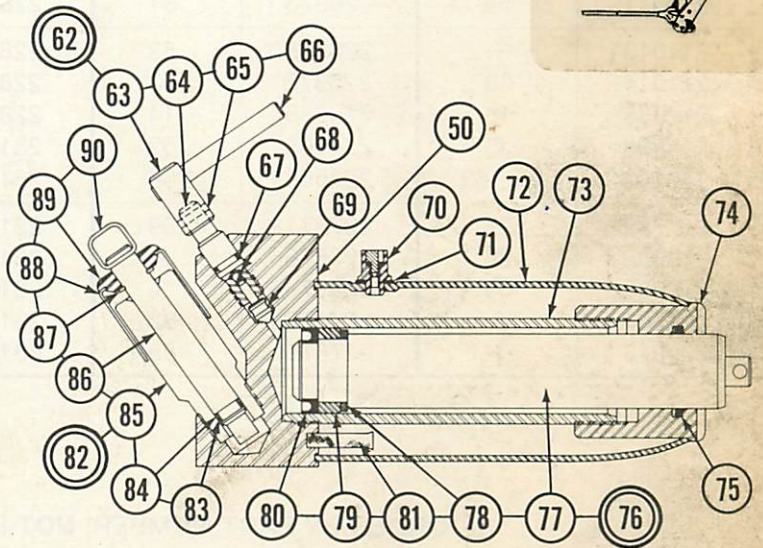
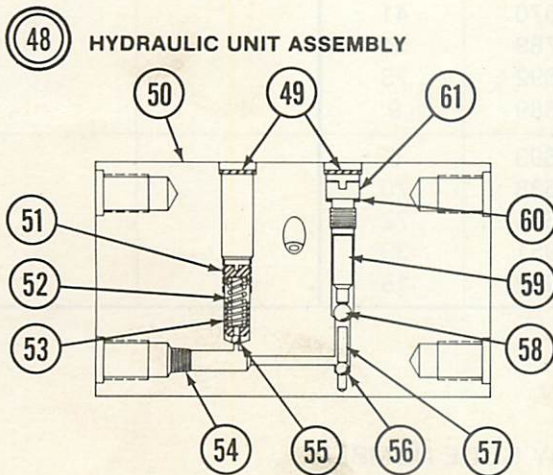
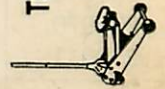


**SLIDE ARM DESIGN
(EARLY PRODUCTION)**

(TILT PAD AND BLOCK ASSEMBLY ALSO USED ON EARLY PRODUCTION — CODE NO. 21)
SEE SERIES "C" PARTS LIST FOR PART NUMBERS

TRI-CITY HYDRAULIC JACK SERVICE

4628 N. Florida Avenue
Tampa, Florida 33603-3700
(813) 232-1280



ORDER BY PART NUMBER, NOT BY CODE NUMBER
SEE BACK PAGE FOR COMPLETE NUMERICAL LISTING

Code No.	Part No.	Description	No. Req'd.	Code No.	Part No.	Description	No. Req'd.
49	201733	Expansion Plug	2	70	231638	Filler/Vent Plug	1
50	232628	Unit Block	1	71	200003	Gasket	1
51	226373*	Adjusting Nut	1	72	231641	Oil Tank	1
52	226375*	Spring - Safety Valve	1	73	231092	Cylinder	1
53	226376*	Adapter	1	74	225516	Tank Nut	1
54	210311	Plug	1	75	221748	Quad Ring	1
55	203196*	Ball - 5/32"	1	76	225518	Ram Assy.	1
56	203198	Ball - 7/32"	1	77	225517	Ram	1
57	226330	Spacer - Suction	1	78	224867	Back-Up Washer	1
58	203201	Ball - 5/16"	1	79	224760	Heel Plate	1
59	211014	Spacer - Discharge	1	80	227919	"U" Cup	1
60	204842	Gasket	1	81	221318	Screen	1
61	211013	Pressure Plug	1	82	227670	Pump Assy.	1
62	232629	Release Stem Assy.	1	83	216143	"O" Ring	1
63	227565	Coupling	1	84	227673	Washer (Leather)	1
64	232630	Release Stem	1	85	227671	Cylinder	1
65	218989	Roll Pin	1	86	227672	Piston	1
66	227566	Roll Pin	1	87	201801	Retaining Ring	1
67	216143	"O" Ring	1	88	226357	Sleeve	1
68	203196	Ball - 5/32"	1	89	227571	Grommet	1
69	224061	Release Valve	1	90	209910	Pump Clip	1

* — CAUTION—Special tools and testing equipment required for overload setting.

**MODEL 93716
SERIES "D"**

NUMERICAL LISTING OF PARTS

Part No.	Code No.	Part No.	Code No.	Part No.	Code No.	Part No.	Code No.
200003	71	220861	42	227672	86	231957	40
201733	49	220865	47	227673	84	231960	38
201789	37	221318	81	227682	16	232628	50
201801	22, 87	221365	12	227692	21	232629	62
203196	55, 68	221748	75	227715	24	232630	64
203198	56	224061	69	227717	26	233032	43
203201	58	224760	79	227718	29	233033	45
203265	13	224867	78	227720	35	233037	44
203275	34, 36	224889	23	227721	33	233143	46
203349	8	225516	74	227723	10		
204511	19	225517	77	227724	31		
204842	60	225518	76	227726	32		
209910	90	226330	57	227766	30		
209970	7	226357	88	227919	80		
210311	54	226373	51	228002	20		
211013	61	226375	52	228247	4		
211014	59	226376	53	228570	41		
212638	15	226738	14	228789	11		
214599	25	227565	63	231092	73		
216143	67, 83	227566	66	231589	9		
217782	27	227571	89	231603	6		
218962	28	227576	2	231638	70		
218989	65	227579	3	231641	72		
219531	5	227670	82	231951	39		
220018	1	227671	85	231952	18		

ORDER BY PART NUMBER, **NOT** BY CODE NUMBER



Walker Manufacturing
Division of Tenneco Automotive

1201 Michigan Boulevard
Racine, Wisconsin 53402