

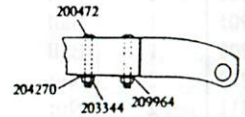
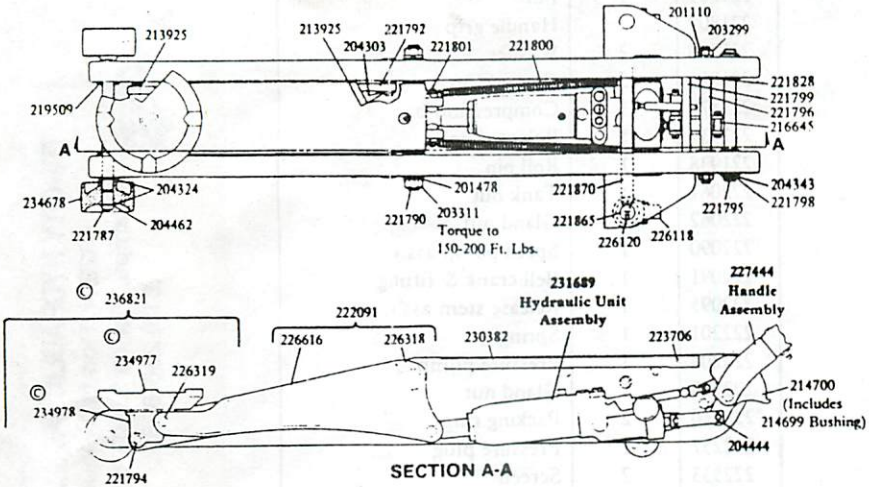
# WALKER

HYDRAULIC SERVICE JACK  
2 TON CAPACITY

MODEL 93655 (was J132)

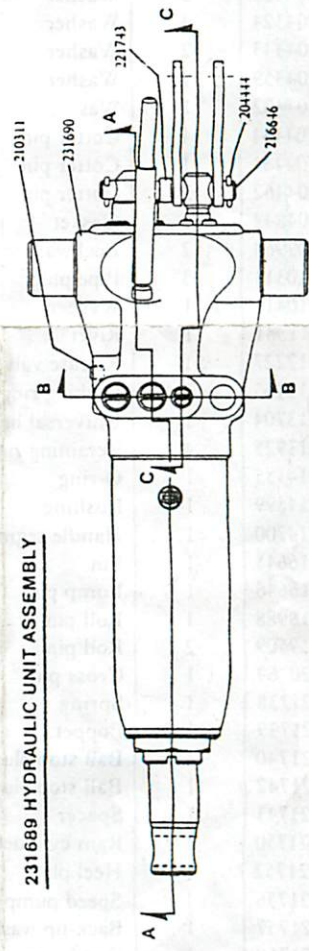
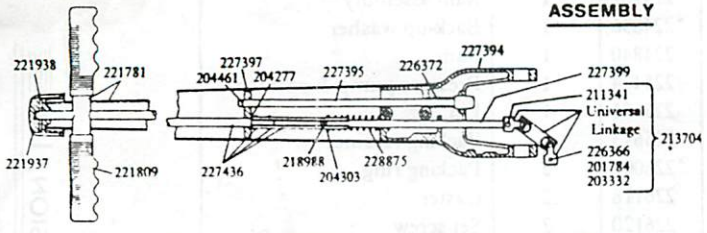
MODEL 93656 (was J132R)

KIT 236840/9932

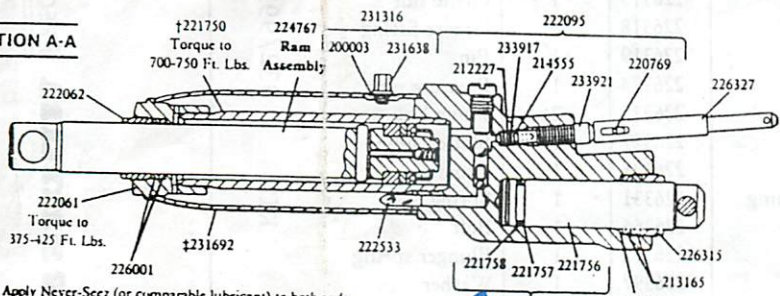


Ⓢ Indicates Change

**227444 HANDLE ASSEMBLY**



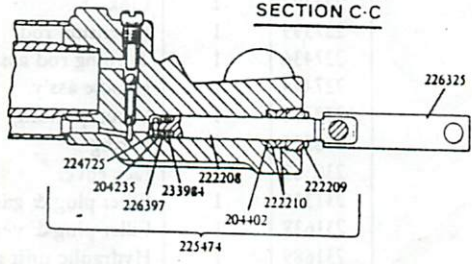
**SECTION A-A**



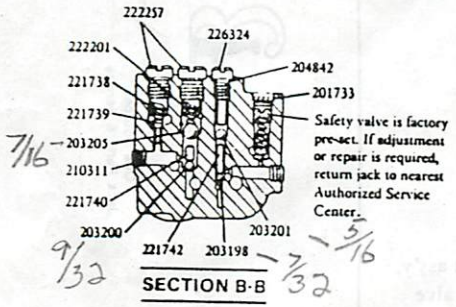
NOTE: Apply Never-Seez (or comparable lubricant) to both ends and inside diameter of small end of tank before assembling.

218123 LEA cup

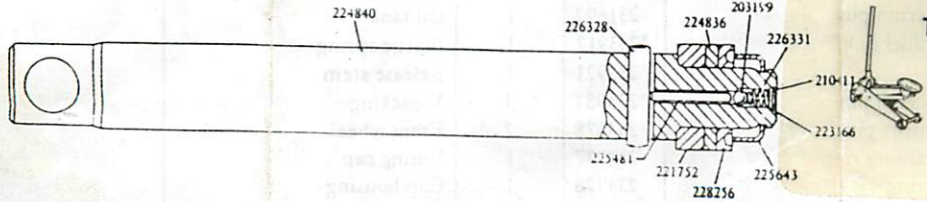
**SECTION C-C**



**SECTION B-B**



**224767 RAM ASSEMBLY**



TRI-CITY HYDRAULIC JACK SERVICE  
4628 N. Florida Avenue  
Tampa, Florida 33603-3700  
(813) 236-8551

SERVICE PARTS

93655

PART	QUAN.	DESCRIPTION	PART	QUAN.	DESCRIPTION
200003	1	Gasket	221801	1	Pin
200472	2	Bolt	221809	2	Handle grip
201110	2	Lockwasher	221828	2	Washer
201478	2	Lockwasher	221865	2	Caster sleeve
201733	1	Expansion plug	221870	1	Compression bar
201784	1	Lockwasher	221937	1	Release knob
*203198	1	Ball	221938	1	Roll pin
*203199	1	Ball	222061	1	Tank nut
*203200	1	Ball	222062	1	Gland nut
*203201	1	Ball	222090	1	Speed pump ass'y.
*203205	1	Ball	222091	1	Bell crank & fitting
203299	2	Nut	222095	1	Release stem ass'y.
203311	2	Nut	222201	1	Spring
203332	1	Nut	222208	1	Pressure pump
203344	2	Nut	222209	1	Gland nut
204235	1	Washer	*222210	2	Packing ring
204270	2	Washer	222257	2	Pressure plug
204277	1	Washer	222533	2	Screen
204303	3	Washer	223166	1	Screen
204324	4	Washer	223706	2	Screw
204343	2	Washer	224725	1	Nut
204359	1	Washer	224767	1	Ram assembly
204402	1	Washer	*224836	1	Back-up washer
204444	4	Cotter pin	224840	1	Ram
204461	1	Cotter pin	225474	1	Pressure pump & packing
204462	2	Cotter pin	225481	1	Pin
*204842	1	Gasket	225643	1	Packing retainer
209964	2	Lockwasher	*226001	2	Packing ring
210311	3	Pipe plug	226118	2	Caster
210411	1	Washer	226120	2	Set screw
211341	1	Rivet	226315	1	Gland nut
212227	1	Release valve	226318	1	Grease fitting
*213165	2	Packing ring	226319	1	Pin
213704	1	Universal linkage ass'y.	226324	1	Pressure plug
213925	4	Retaining ring	226325	2	Pump link
*214555	1	O-ring	226327	1	Slotted tube
214699	1	Bushing	226328	1	Cross pin
214700	1	Handle segment & bushing	226331	1	Spring
216645	1	Pin	226366	1	Bolt
216646	1	Pump pin	226372	1	Plunger spring
218988	1	Roll pin	*226397	1	Washer
219509	2	Roll pin	226616	1	Bell crank
220769	1	Cross pin	227394	1	Handle socket
221738	1	Spring	227395	1	Plunger ass'y.
221739	1	Poppet	227397	1	Link
221740	1	Ball stop plug	227399	1	Extension rod
221742	1	Ball stop plug	227436	1	Turning rod ass'y.
221743	1	Spacer	227444	1	Handle ass'y.
221750	1	Ram cylinder	*228256	1	U-cup packing
221752	1	Heel plate	228875	1	Spring
221756	1	Speed pump	230382	1	Jack cover
*221757	1	Back-up washer	231316	1	Filler plug & gasket ass'y.
*221758	1	Quad ring	231638	1	Filler plug & vent valve
221781	1	Handle & cross bar	231689	1	Hydraulic unit ass'y.
221787	1	Front axle	231690	1	Hydraulic unit base
221790	1	Fulcrum pin	231692	1	Oil tank
221792	2	Parallel link	*233917	1	Plastic spring
221794	1	Pin	233921	1	Release stem
221795	1	Fulcrum pin	*233984	3	V-packing
221796	1	Bumper pin	234678	2	Front wheel
221798	2	Retaining ring	234977	1	Lifting cap
221799	1	Bearing	234978	1	Cap housing
221800	2	Spring	236821	1	Lift cap assembly



**TRI-CITY HYDRAULIC JACK SERVICE**  
 4628 N. Florida Avenue  
 Tampa, Florida 33603-3700  
 (813) 236-8551