

---

**WALKER®**

---

**SERVICE  
DIVISION**

## Jack Parts Sheet

**MODEL 93633** (was J-121)  
**SERIES "A", "B" & "C"**

**1¼ TON CAPACITY**  
HYDRAULIC SERVICE JACK



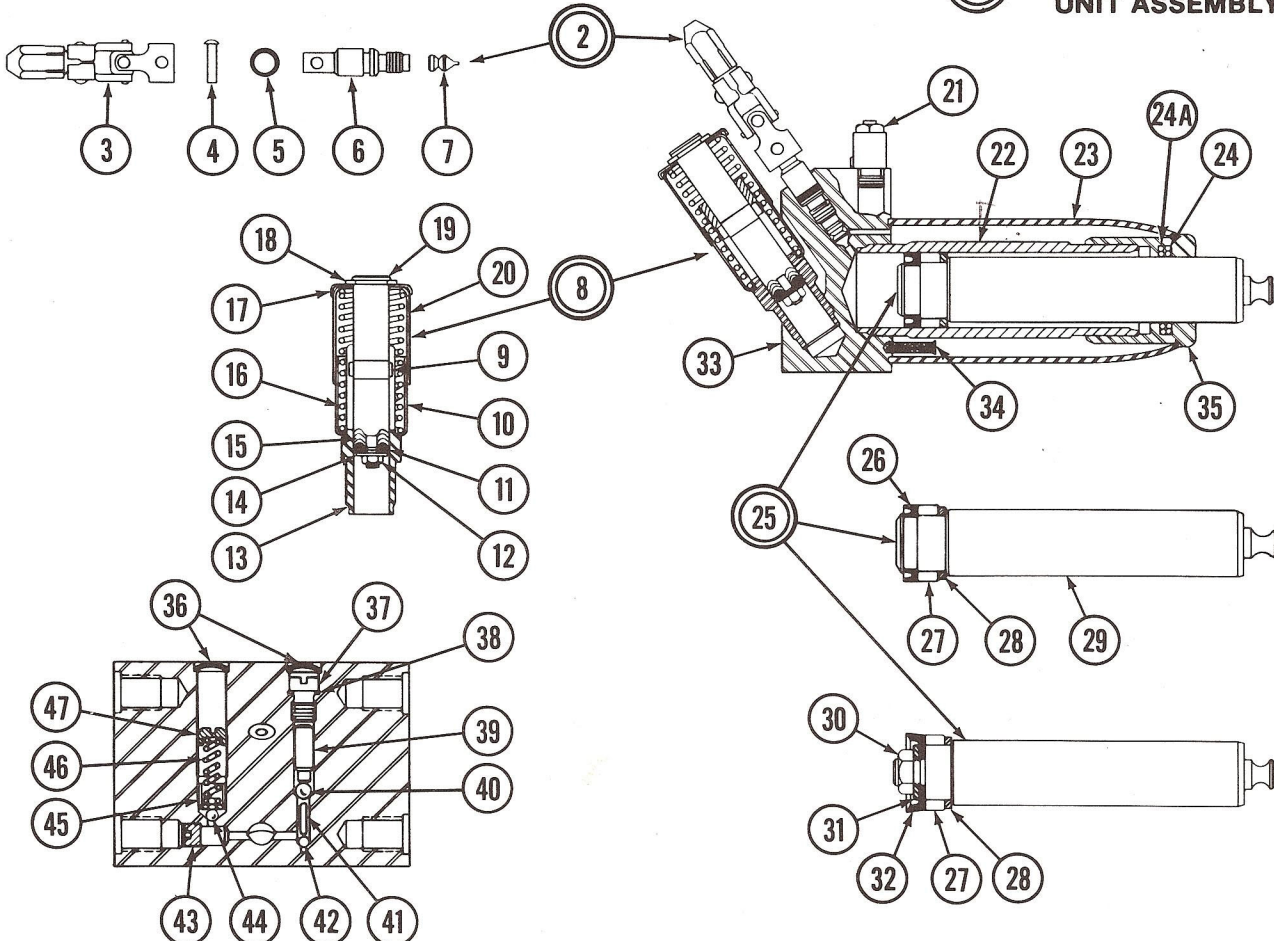
**SERVICE**

We have Factory-owned BRANCHES AND AUTHORIZED SERVICE DEPOTS located in the principal cities of the United States and Canada. They are operated by FACTORY TRAINED STAFFS and carry a comprehensive stock of REPAIR PARTS. Please contact the Factory or your Walker DISTRIBUTOR for location of Branch or Service Depot nearest you.

---

**MODEL 93633 (was J-121)  
SERIES "A", "B" & "C"**

**① HYDRAULIC  
UNIT ASSEMBLY**



**NEW CAUTION and INSTRUCTION PLATES,  
must be replaced on every repair.**

**ORDER BY PART NUMBER, NOT CODE NUMBER  
SEE BACK PAGE FOR COMPLETE NUMERICAL LISTING**

Code No.	A	B	C	Description	No. Req'd.	Code No.	A	B	C	Description	No. Req'd.
1	Note 1	Note 1	Note 1	Hydraulic Unit Assembly	1	25	224863	224863	224863	Ram Assembly	1
2	227874	227874	227874	Universal Assembly & Release Valve	1	26	227919	—	227919	"U" Cup	1
3	228349	228349	228349	Universal Assembly	1	27	224760	—	224760	Heel Plate	1
4	211341	211341	211341	Rivet	1	28	224867	—	224867	Back-Up Washer	1
5	216143	216143	216143	"O" Ring	1	29	224864	Note 3	224864	Ram	1
6	224869	224869	224869	Release Stem	1	30	—	203287	—	Nut	1
7	218043	218043	218043	Release Valve	1	31	—	204286	—	Washer	1
8	227045	227045	227045	Pump Assembly	1	32	—	200501	—	Leather Cup	1
9	201142	201142	201142	Cross Pin	1	33	Note 4	Note 4	Note 4	Unit Block	1
10	226357	226357	226357	Bottom Sleeve	1	34	221318	221318	221318	Screen	1
11	226351	226351	226351	Adapter	1	35	224862	224862	224862	Tank Nut	1
12	212170	212170	212170	Nut	1	36**	201733	201733	201733	Expansion Plug	2
13	226339	226339	226339	Pump Cylinder	1	37	211013	211013	211013	Plug	1
14	204233	204233	204233	Washer	1	38	204842	204842	204842	Gasket-Pressure Plug	1
15	201828	201828	201828	"V" Packing	3	39	211014	211014	211014	Spacer-Discharge	1
16	226348	226348	226348	Spring	1	40	203201	203201	203201	Valve-Discharge	1
17	226365	226365	226365	Cover	1	41	226330	226330	226330	Spacer-Suction	1
18	201803	201803	201803	Retaining Washer	1	42	203198	203198	203198	Valve-Suction	1
19	226350	226350	226350	Piston	1	43	210311	210311	210311	Plug	1
20	226356	226356	226356	Top Sleeve	1	44**	203196	203196	203196	Valve-Safety	1
21	232633	232633	232633	Filler Plug Assembly	1	45**	226376	226376	226376	Adapter-Safety	1
22	224870	224870	224870	Cylinder	1	46**	226375	226375	226375	Spring-Safety	1
23	Note 2	Note 2	Note 2	Oil Tank	1	47**	226373	226373	226373	Adj. Nut-Safety	1
24*	221747	221747	221747	Back-Up Washer	1						
24A	221748	221748	221748	Quad Ring	1						

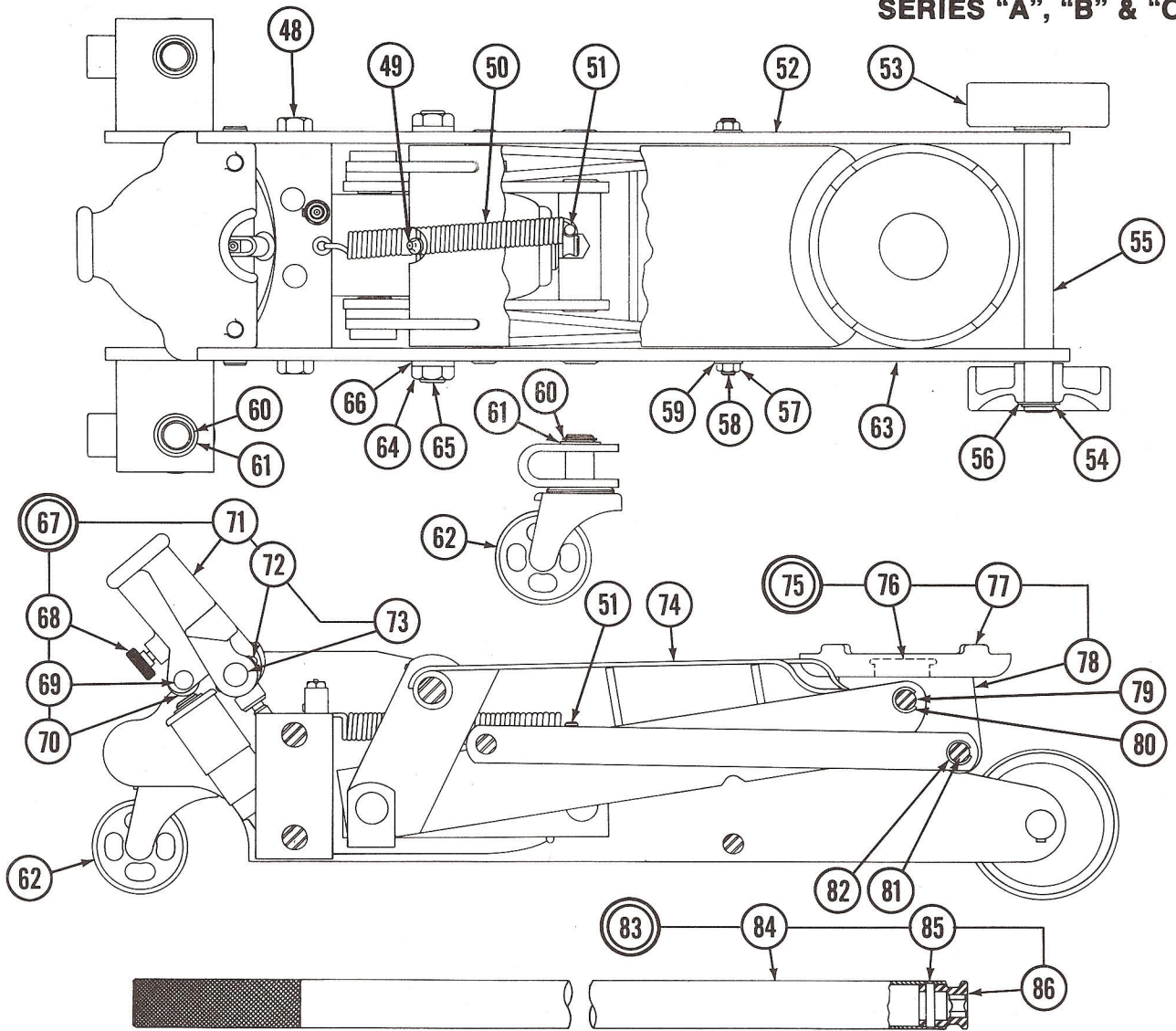
Note 1 — When complete Hydraulic Unit is required, contact nearest service depot or factory branch for information.

Note 3 — Order P/N 224863 Ram Assembly to replace.

Note 2 — When placement Oil Tank is required, order P/N 231661 plus one each P/N 212540 Screw and P/N 200003 Gasket.

Note 4 — Order P/N 231660 plus P/N 231638 Filler/Vent Plug and P/N 231661 Oil Tank when replacement is required.

**MODEL 93633 (was J-121)  
SERIES "A", "B" & "C"**



**ORDER BY PART NUMBER, NOT CODE NUMBER  
SEE BACK PAGE FOR COMPLETE NUMERICAL LISTING**

Code No.	A	B	C	Description	No. Req'd.	Code No.	A	B	C	Description	No. Req'd.
48	226364	226364	226364	Shoulder Bolt	4	67	226537	226537	231575	Handle Socket Assembly	1
49	226318	226318	226318	Lube Fitting	1	68	226341	226341	226341	Thumb Screw	1
50	225924	225924	225924	Pull Back Spring (See Note 5)	1	69	213915	213915	231915	Pin	1
51	224888	224888	224888	Pin	1	70	226334	226334	226334	Roller	1
52	224893	224893	224893	L.H. Side Plate Assembly	1	71	224887	224887	231570	Handle Socket	1
53	224899	224899	224899	Front Wheels	2	72	202359	202359	202359	Rivet	2
54	214557	214557	214557	Retaining Rings	2	73	226336	226336	226336	Pin	2
55	224900	224900	224900	Front Axle	1	74	224872	224872	224872	Bell Crank Assembly	1
56	204324	204324	204324	Washer	2	75	224884	224884	224884	Cap Housing Assembly	1
57	203275	203275	203275	Nut	2	76	226355	226355	226355	Pin	1
58	224886	224886	224886	Spacer Pin	1	77	226336	226336	226336	Pin	2
59	201789	201789	201789	Lockwasher	2	78	226491	226491	226491	Cap Housing	1
60	214557	214557	214557	Retaining Ring	2	79	226338	226338	226338	Pin-Cap to Bell Crank	1
61	204324	204324	204324	Washer	2	80	201801	201801	201801	Retaining Ring	2
62	224885	224885	224885	Caster	2	81	224889	224889	226349	Pin	1
63	224892	224892	224892	R.H. Side Plate Assembly	1	82	201801	201801	201801	Retaining Ring	2
64	203299	203299	203299	Nut	2	83	226110	226110	226110	Handle Assembly	1
65	224901	224901	224901	Fulcrum Pin	1	84	226111	226111	226111	Handle Tube	1
66	201110	201110	201110	Lockwasher	2	85	212908	212908	212908	Groove Pin	1
						86	226112	226112	226112	Lower End	1

\*\* - Repairs not recommended without special tools & test equipment.  
† - Not used. Note 5 — 2 required Series A & B.

**MODEL 93633 (was J-121)**  
**SERIES "A", "B" & "C"**

**NUMERICAL LISTING OF PARTS**

Part No.	Code No.	Part No.	Code No.	Part No.	Code No.	Part No.	Code No.
200501	32	213915	69	224899	53	226375	46
201110	66	214557	54,60	224900	55	226376	45
201142	9	216143	5	224901	65	226491	78
201733	36	218043	7	225924	50	226537	67
201789	59	221318	34	226110	83	227045	8
201801	80,82	221747	24	226111	84	227874	2
201803	18	221748	24A	226112	86	227919	26
201828	15	224760	27	226298	77	228349	3
202359	72	224861	23	226318	49	231570	71
203196	44	224862	35	226330	41	231575	67
203198	42	224863	25	226334	70	232633	21
203201	40	224864	29	226336	73		
203275	57	224867	28	226338	79		
203287	30	224869	6	226339	13		
203299	64	224870	22	226341	68		
204233	14	224871	33	226348	16		
204286	31	224872	74	226349	81		
204324	56,61	224884	75	226350	19		
204842	38	224885	62	226351	11		
210311	43	224886	58	226355	76		
211013	37	224887	71	226356	20		
211014	39	224888	51	226357	10		
211341	4	224889	81	226364	48		
212170	12	224892	63	226365	17		
212908	85	224893	52	226373	47		

**Label Locations**

