

**WALKER**

**SERVICE  
DIVISION**

## Jack Parts Sheet

**MODEL 93630**

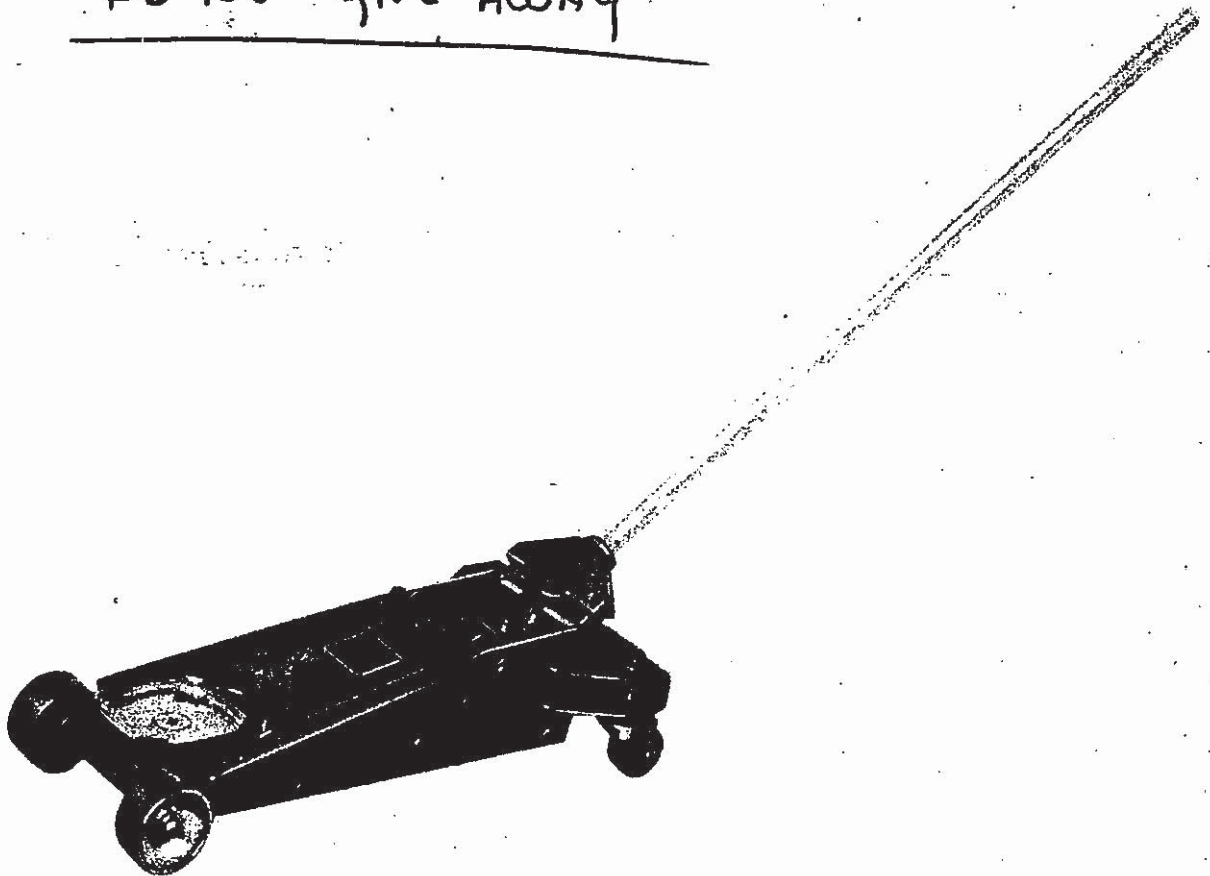
SERIES "A"

**MODEL 93632 (was J-122)**

SERIES "A, C & E"

**1½ TON CAPACITY  
HYDRAULIC SERVICE JACK**

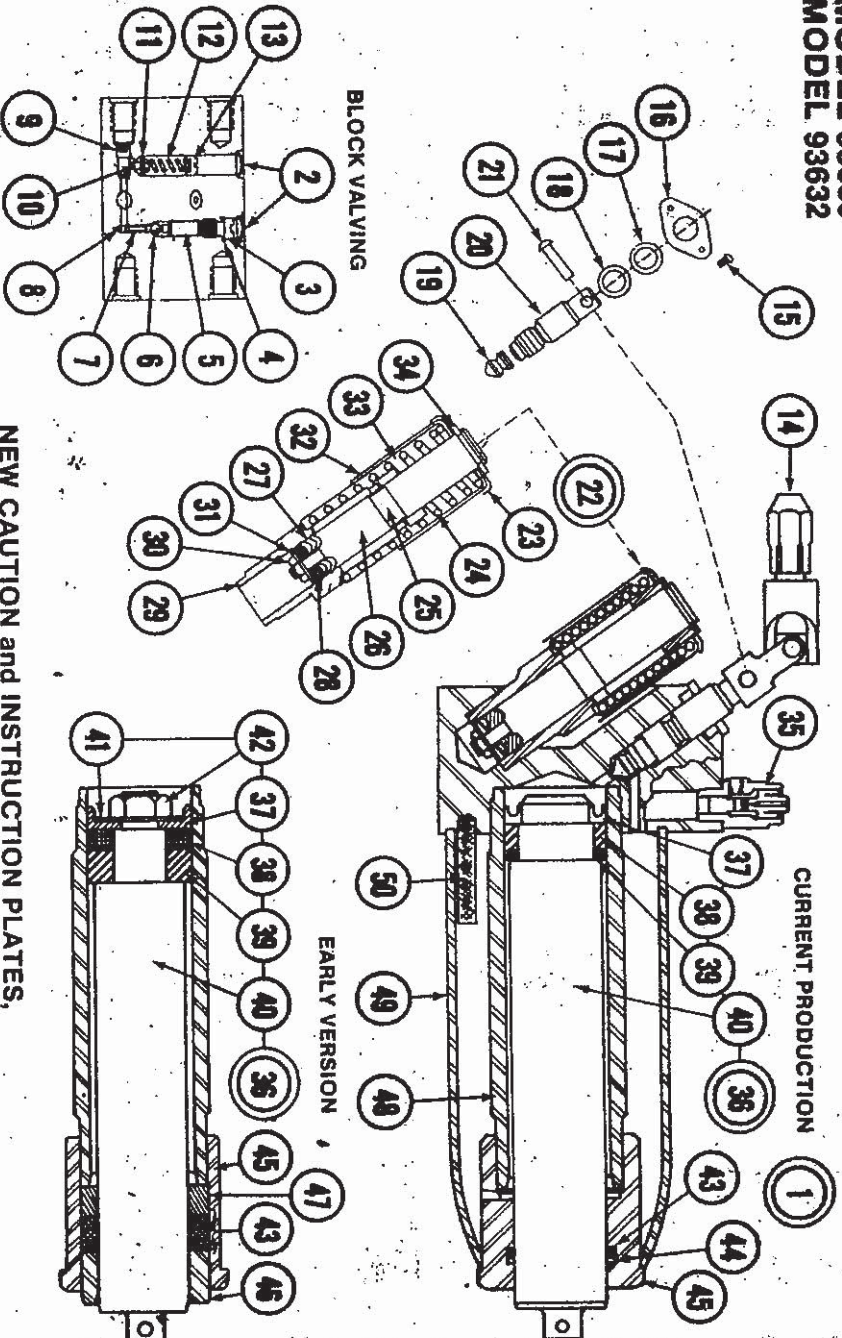
Do not give away



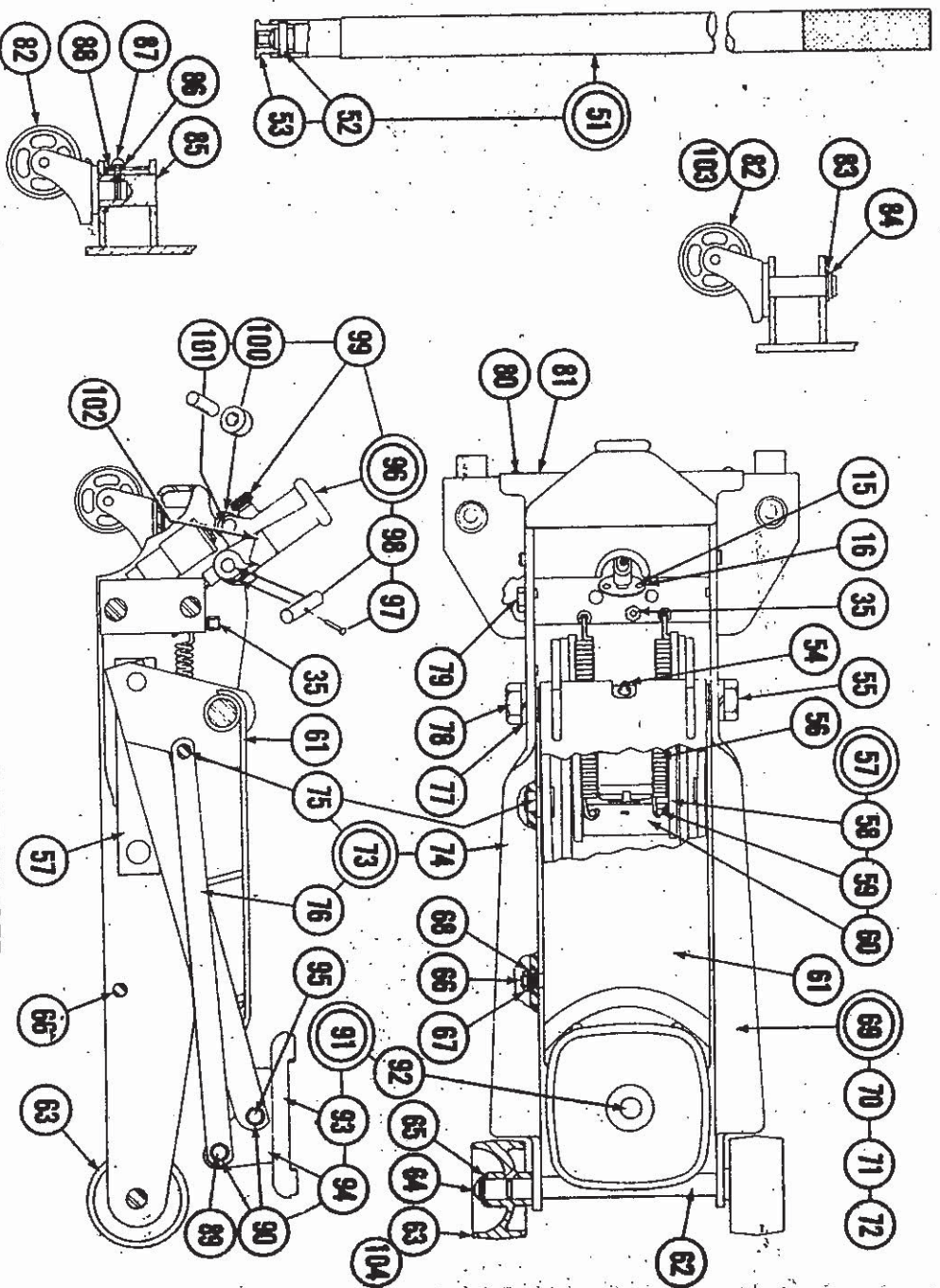
### SERVICE

We have Factory-owned BRANCHES AND AUTHORIZED SERVICE DEPOTS located in the principal cities of the United States and Canada. They are operated by FACTORY TRAINED STAFFS and carry a comprehensive stock of REPAIR PARTS. Please contact the Factory or your Walker DISTRIBUTOR for location of Branch or Service Dept nearest you.

**Walker Manufacturing** GENERAL OFFICE: Racine, Wisconsin — MANUFACTURING PLANT AND SERVICE DEPARTMENT: Jonesboro, Arkansas — FACTORY SERVICE BRANCHES: Atlanta, Georgia — Cleveland, Ohio — Kansas City (Riverside), Missouri — Philadelphia, Pennsylvania.



**NEW CAUTION and INSTRUCTION PLATES,**  
must be replaced on every repair.



ORDER BY PART NUMBER, NOT CODE NUMBER  
SEE BACK PAGE FOR COMPLETE NUMERICAL LISTING



Code No.	Part Number		Description	No. Req'd.	Code No.	Part Number		Description	No. Req'd.
	Series A	Series C & E				Series A	Series C & E		
1	93632	93630	Hydraulic Unit Assy. Plug-Expansion Plug-Pressure Gasket-Pressure Plug Spacer-Discharge	1	56	225924	Series A	Spring Cross Head Assembly Link Stud-Spring # Cross Head	2
2	201733**	93630							
3	211013	Series A							
4	204842	Series C & E							
5	211014	Series C & E							
6	203201	Series C & E	Valve-Discharge Spacer-Suction Valve-Suction Plug Valve-Safety Adapter-Safety Spring-Safety Adi. Nut-Safety Universal Assy. Screw	1	61	221705	Series C & E	Bell Crank Assy. Axle-Front Wheel-Front (Steel) Retaining Ring Washer	2
7	226330	Series C & E							
8	203198	Series C & E							
9	210311	Series C & E							
10	203196**	Series C & E							
11	226376**	Series C & E							
12	226375**	Series C & E							
13	226373**	Series C & E							
14	228349	Series C & E							
15	222940	Series C & E							
16	218414	Series C & E	Retainer Plate Washer-Retainer "O" Ring Release Valve, Release Stem	1	71	226342	Series C & E	Stud (See Code #75) Link (See Code #76) Side Plate Assy. - R.H. Side Plate - R.H. Stud	1
17	212374	Series C & E							
18	212375	Series C & E							
19	218043	Series C & E							
20	218413	Series C & E							
21	211341	Series C & E	Rivet Pump Assembly Cover Spring Crosspin	1	76	226345	Series C & E	Link Lockwasher Nut Shoulder Bolt Screw	2
22	227045	Series C & E							
23	226365	Series C & E							
24	226348	Series C & E							
25	201142	Series C & E							
26	226350	Series C & E	Piston "V" Chevrons Adaptor Cylinder Nut	1	81	221723	Series C & E	Shroud Caster (Steel) Washer Retaining Ring Sleeve-Caster	1
27	201828	Series C & E							
28	226351	Series C & E							
29	226339	Series C & E							
30	212170	Series C & E							
31	204233	Series C & E	Washer Lower Sleeve Top Sleeve Retainer Filler Plug/Vent	1	86	201785	Series C & E	Lockwasher Set Screw Washer Pin-Cap Hsg. to Link Retaining Ring	2
32	226357	Series C & E							
33	226356	Series C & E							
34	201803	Series C & E							
35	227095	Series C & E							
36	Note #1	225518	Ram Assembly "J" Cup Heel Plate Back-Up Washer Ram	1	91	221701	Series C & E	Cap Housing Assembly Stud Cap Housing Pin-Cap Hsg. to Ball Ck.	1
37	200501	Series C & E							
38	G-19691	Series C & E							
39	G-19681	Series C & E							
40	Note #2	225517							
41	204286	Series C & E	Washer Nut Quad Ring Back-Up Washer Tank Nut	1	96	230486	Series C & E	Handle Socket Assy. Rivet Pin Thumb Screw Roller	1
42	203287	Series C & E							
43	213167▲	Series C & E							
44	Note #3	225516							
45	—	225516							
46	G-16431	230404	Gland Nut Ram Guide Ring Cylinder Oil Tank Screen-Suction	1	101	213915	Series C & E	Pin-Roller Handle Socket Caster (Model 93630) Wheel (Model 93630)	1
47	G-19651	Series C & E							
48	226347	Series C & E							
49	226346	Series C & E							
50	221318†	Series C & E							
51	228110	Series C & E	Handle Assembly Groove Pin Hex End Grease Fitting Fulcrum Pin	1	102	228208	Series C & E		2
52	212908	Series C & E							
53	226112	Series C & E							
54	226318	Series C & E							
55	210700	Series C & E							

\*Contact Factory or nearest Authorized Service Depot when complete Unit Assembly is needed.  
\*\*Repairs not recommended without required special tools and test equipment.  
▲3 Required  
†Service Substitute

Note #1 If complete Ram Assembly is required order 225518.  
Note #2 If Ram is required order 225518 complete Ram Assembly  
Note #3 Use 1 ea. 225516, 221747 and 221748.