

WALKER

**SERVICE
DIVISION**

Jack Parts Sheet

MODEL 93630

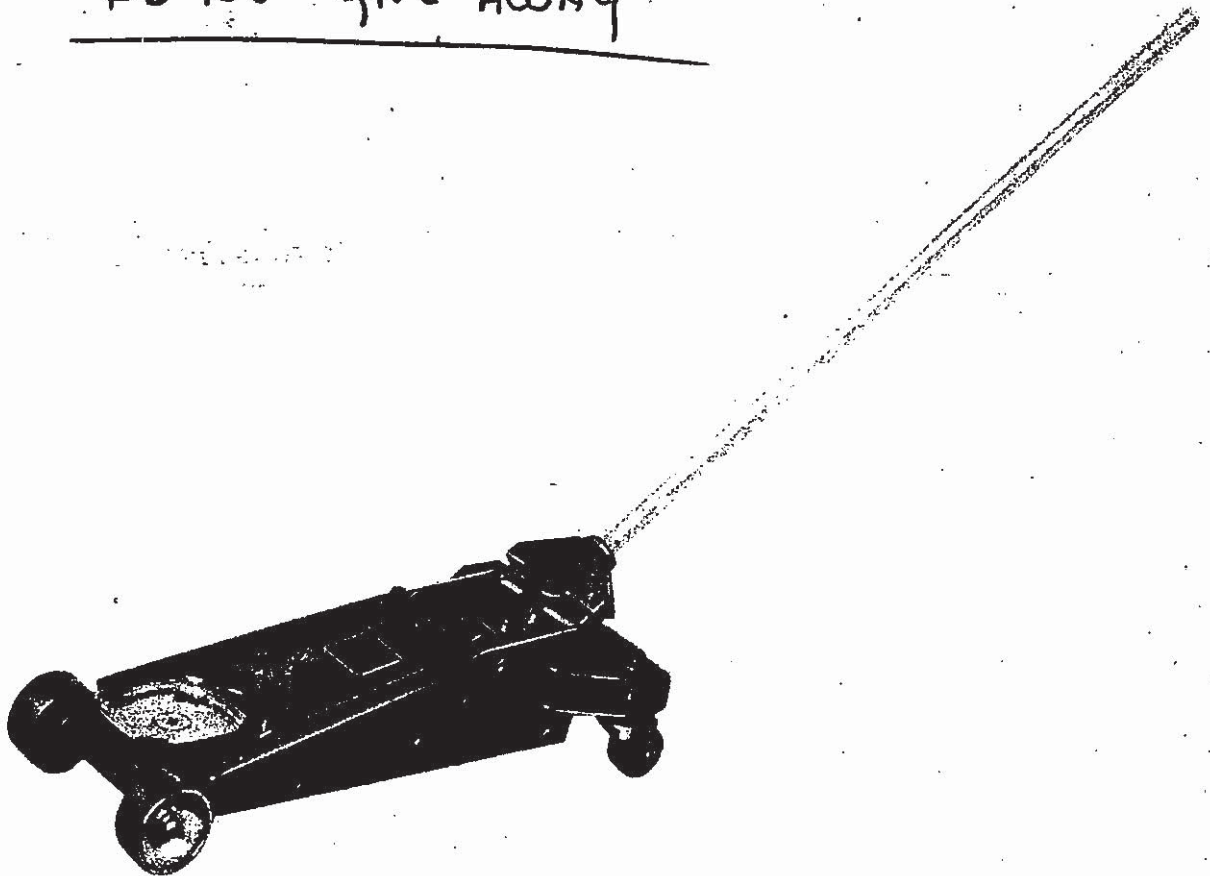
SERIES "A"

MODEL 93632 (was J-122)

SERIES "A, C & E"

**1½ TON CAPACITY
HYDRAULIC SERVICE JACK**

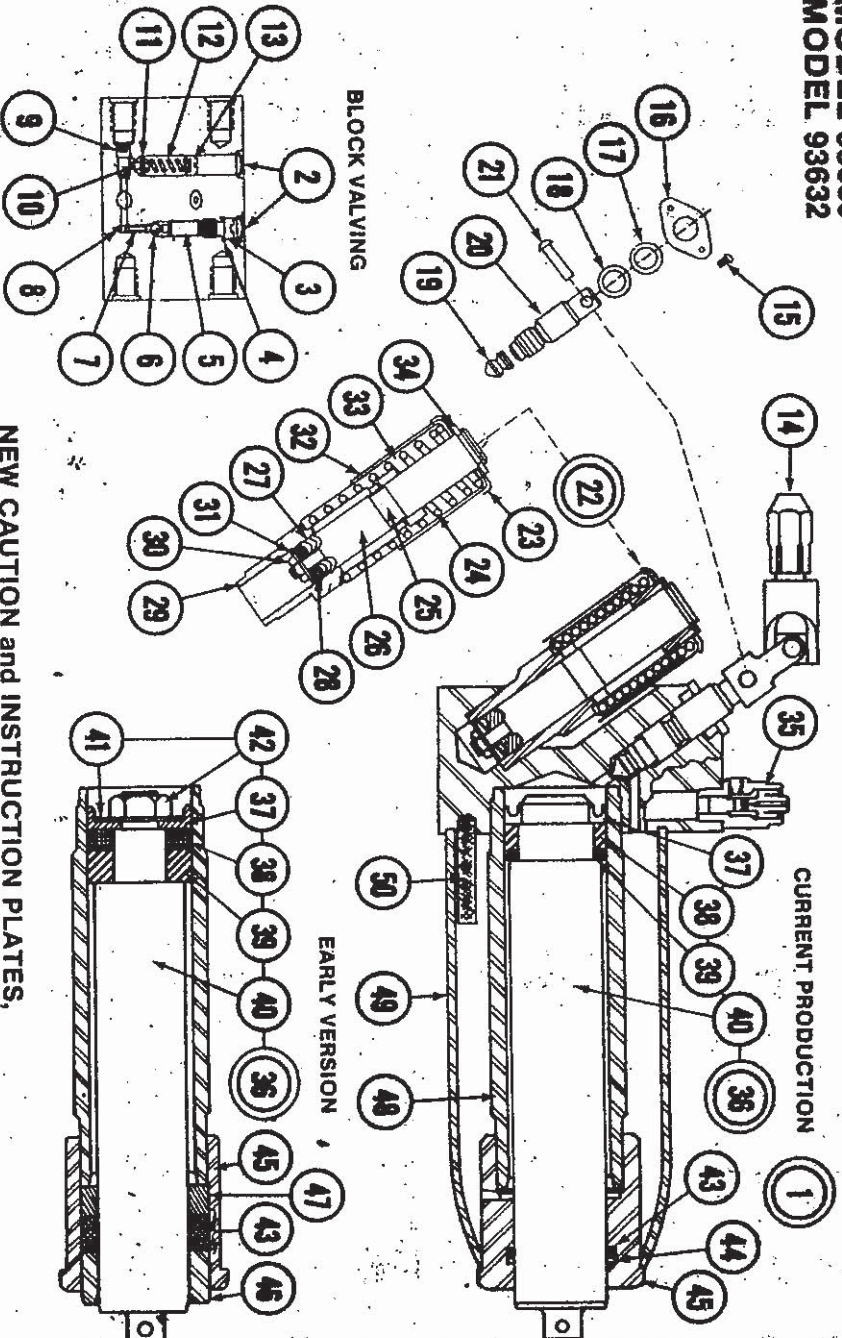
Do not give away



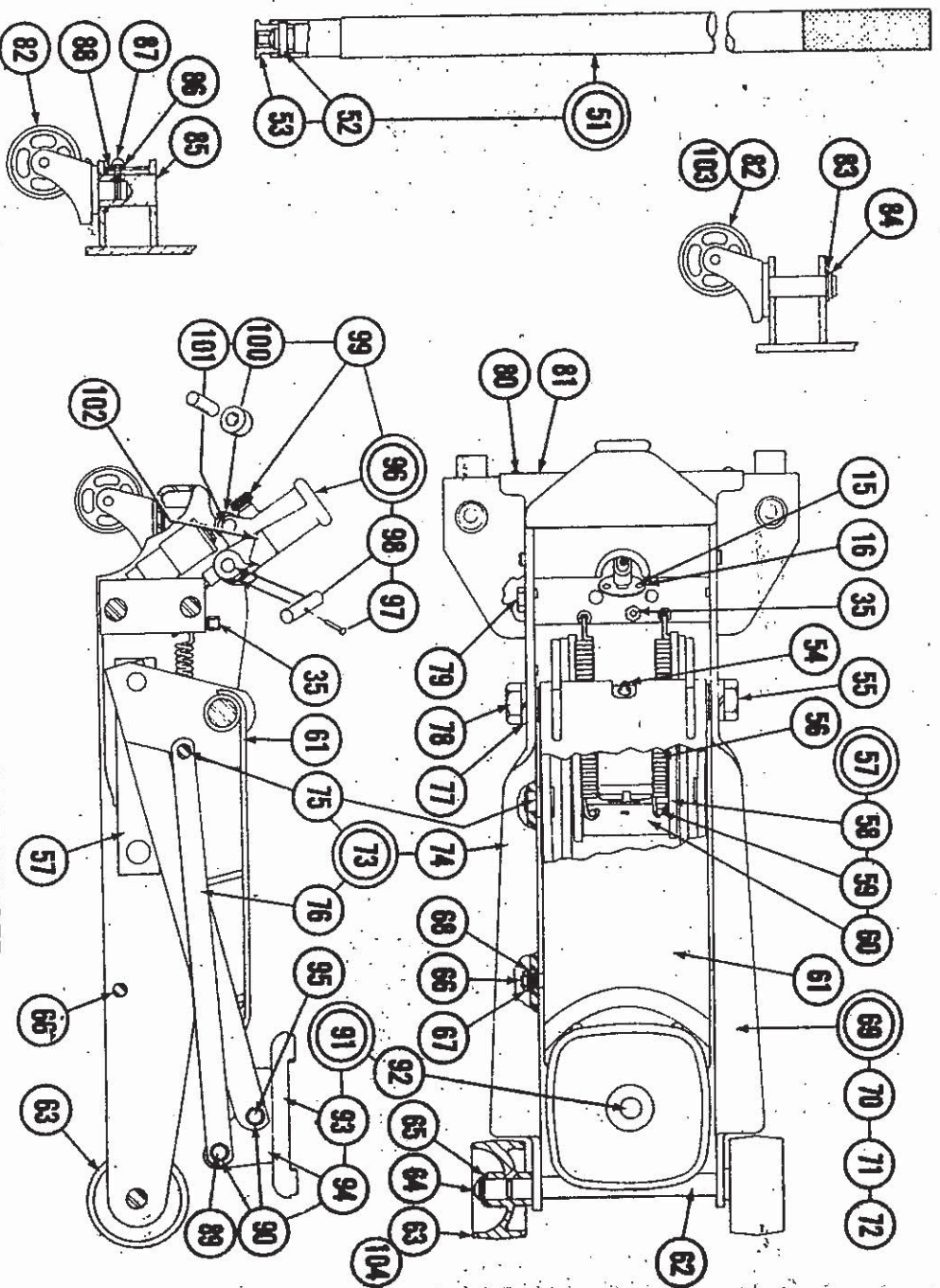
SERVICE

We have Factory-owned BRANCHES AND AUTHORIZED SERVICE DEPOTS located in the principal cities of the United States and Canada. They are operated by FACTORY TRAINED STAFFS and carry a comprehensive stock of REPAIR PARTS. Please contact the Factory or your Walker DISTRIBUTOR for location of Branch or Service Dept nearest you.

Walker Manufacturing GENERAL OFFICE: Racine, Wisconsin — MANUFACTURING PLANT AND SERVICE DEPARTMENT: Jonesboro, Arkansas — FACTORY SERVICE BRANCHES: Atlanta, Georgia — Cleveland, Ohio — Kansas City (Riverside), Missouri — Philadelphia, Pennsylvania.



NEW CAUTION and INSTRUCTION PLATES,
must be replaced on every repair.



ORDER BY PART NUMBER, NOT CODE NUMBER
SEE BACK PAGE FOR COMPLETE NUMERICAL LISTING

Code No.	Part Number		Description	No. Req'd.	Code No.	Part Number		Description	No. Req'd.
	Series A	Series C & E				Series A	Series C & E		
1	93632	93630	Hydraulic Unit Assy. Plug-Expansion Plug-Pressure Gasket-Pressure Plug Spacer-Discharge	1	56	93632	93630	Spring Cross Head Assembly Link Stud-Spring # Cross Head	2
2	201733**	225924							
3	211013	229048							
4	204842	226343							
5	211014	226335							
6	203201	226344	Valve-Discharge Spacer-Suction Valve-Suction Plug Valve-Safety	1	61	226344	221705	Bell Crank Assy. Axle-Front Wheel-Front (Steel) Retaining Ring Washer	2
7	226330	221705							
8	203198	221716							
9	210311	226614							
10	203196**	214557							
11	226376**	204324							
12	226375**	221704							
13	226373**	203275							
14	228349	201789							
15	222940	226618							
16	218414	221694	Adapter-Safety Spring-Safety Adi. Nut-Safety Universal Assy. Screw	2	70	221694	221694	Pin-Spacer Nut Lockwasher Side Plate Assy. -L.H. Side Plate - L.H.	1
17	212374	226342							
18	212375	226345							
19	218043	201478							
20	218413	203311							
21	211341	226345							
22	227045	201478							
23	226365	226345							
24	226348	203311							
25	201142	226364							
26	226350	221723	Retainer Plate Washer-Retainer "O" Ring Release Valve, Release Stem	1	71	221723	226342	Stud (See Code #75) Link (See Code #76) Side Plate Assy. - R.H. Side Plate - R.H. Stud	1
27	201828	225602							
28	226351	204324							
29	226339	214557							
30	212170	221697							
31	204233	201785							
32	226357	221700							
33	226356	204354							
34	201803	226349							
35	227095	201801							
36	Note #1	225518	Piston "V" Chevrons Adaptor Cylinder Nut	1	81	225518	221701	Shroud Caster (Steel) Washer Retaining Ring Sleeve-Caster	1
37	200501	227919							
38	G-19691	224760							
39	G-19681	224867							
40	Note #2	225517							
41	204286	221701							
42	203287	226355							
43	213167▲	221702							
44	Note #3	226491							
45	225516	221703							
46	G-16431	221701	Ram Assembly "J" Cup Heel Plate Back-Up Washer Ram	1	91	221701	221701	Cap Housing Assembly Stud Cap Housing Pin-Cap Hsg. to Ball Ck.	1
47	G-19651	226355							
48	226347	221702							
49	226346	226491							
50	221318†	221703							
51	228110	230486							
52	212908	202359							
53	226112	226336							
54	226318	226341							
55	210700	226334							
		213915	Gland Nut Ram Guide Ring Cylinder Oil Tank Screen-Suction	1	101	213915	230400	Pin-Roller Handle Socket Caster (Model 93630) Wheel (Model 93630)	1
		230404							
		228208							
		228022							
		228022							
		228110	Handle Assembly Groove Pin Hex End Grease Fitting Fulcrum Pin	1	102	228110	228110	Handle Socket Assy. Rivet Pin Thumb Screw Roller	1
		226112							
		226318							
		210700							
		210700							

*Contact Factory or nearest Authorized Service Depot when complete Unit Assembly is needed.
**Repairs not recommended without required special tools and test equipment.
▲3 Required
†Service Substitute

Note #1 If complete Ram Assembly is required order 225518.
Note #2 If Ram is required order 225518 complete Ram Assembly
Note #3 Use 1 ea. 225516, 221747 and 221748.