

SERVICE PARTS

MODEL 960
SERIES "F"

PRICE LIST No. 9602

PRICES EFFECTIVE JULY 31, 1950

Prices F.O.B. Racine, Wis.

Prices and Specifications Subject to Change Without Notice

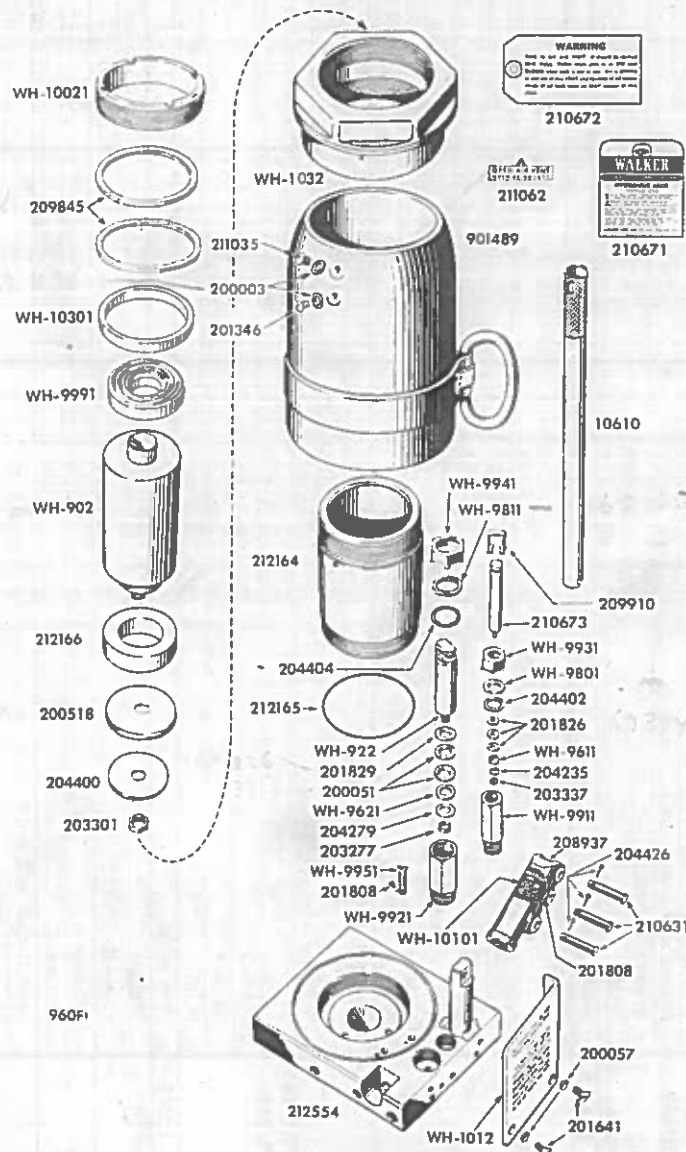


PRICES

WALKER SERVICE

With Comprehensive stocks of REPAIR PARTS AND FACTORY TRAINED STAFFS, our Factory-owned BRANCHES AND AUTHORIZED SERVICE STATIONS, located in principal cities of the United State and Canada, are equipped to give Factory-Approved Repair Service, with savings both in time and transportation costs. Before returning Jacks for service, please contact the Factory, or your Walker DISTRIBUTOR, for the location of the Branch or Service Station nearest you.

WALKER SYSTEM



NUMERICAL INDEX

Walker Part No.	Code No.
WH-902	32
WH-922	60
WH-1012	72
WH-1032	41
WH-9611	51
WH-9621	63
WH-9801	57
WH-9811	68
WH-9911	55
WH-9921	66
WH-9931	56
WH-9941	67
WH-9951	27
WH-9991	33
WH-10021	38
WH-10101	76
WH-10301	40
200003	44-46
200051	62
200057	74
200059	19
200518	35
201346	43
201641	73
201808	28-77
201826	50
201829	61
203277	65
203301	37
203337	53
204235	52
204279	64
204400	36
204402	58
204404	69
204426	71
208937	47
209845	39
209910	54
210631	70
210671	78
210672	80
210673	49
211035	45
211062	79
211130	48
211131	59
212164	29
212165	30
212166	34
212168	31
212554	1
212913	15
901489	42
10610	75

MODEL 960-F

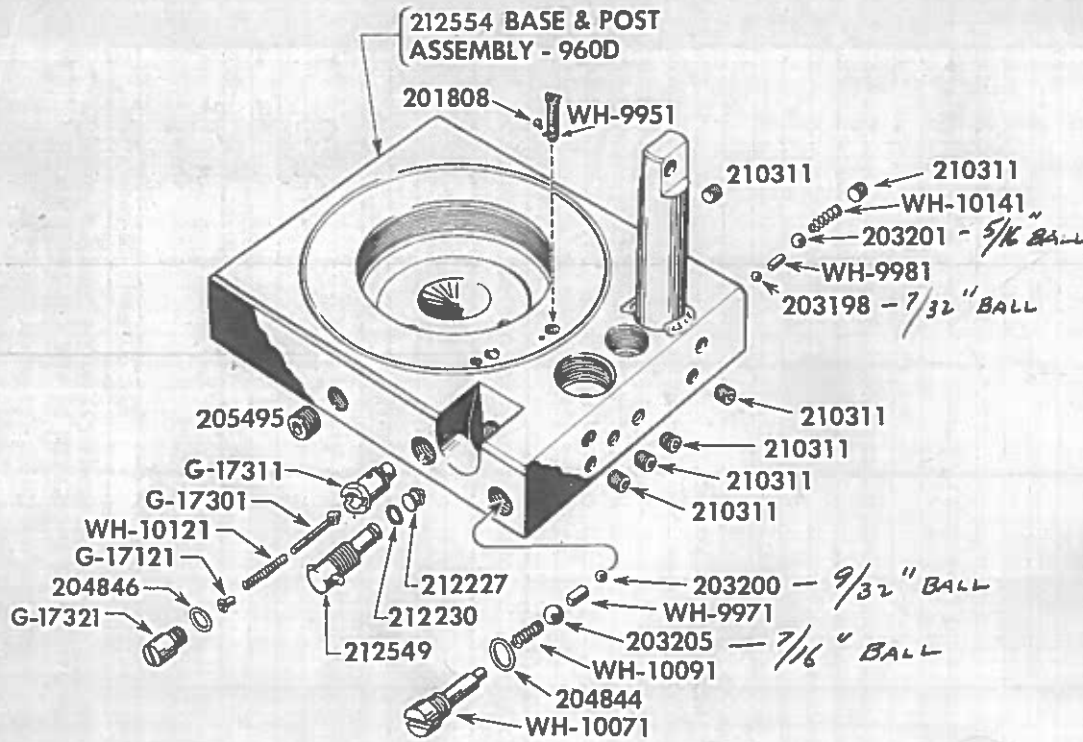
WALKER MANUFACTURING COMPANY OF WISCONSIN
RACINE, WIS.

MAKERS OF WALKER JACKS — ELECTRIC LIFTS — EXHAUST SILENCERS AND OIL FILTERS

"WALKER SYSTEM" SERVICE PARTS LIST

PARTS FOR ALL SERIES ARE IDENTICAL WITH CURRENT SERIES UNLESS OTHERWISE INDICATED IN THE COLUMNS BELOW

MODEL NO. 960 CAPACITY 30 TONS	BASIC PARTS	COMPONENT PARTS	CODE NO.	CURRENT SERIES	NO. REQ.	BASIC SERIES IDENTIFICATION		SPECIAL SERIES IDENTIFICATION	
BASE		BASE & POST ASSEMBLY	1	212554	1				
	VALVING FOR POWER PUMP	BALL—SUCTION	2	203198	1	14815			
		SPACER BETWEEN BALLS	3	WH-9981	1				
		BALL—DISCHARGE	4	203201	1	11240			
		SPRING ON LARGE BALL	5	WH-10141	1	61877 (206401)			
		SPACER—LARGE BALL	6	*	1				
VALVING FOR SPEED PUMP	PIPE PLUG	7	210311	1	14825				
	BALL—SUCTION	8	203200	1					
	SPACER BETWEEN BALLS	9	WH-9971	1					
	BALL—DISCHARGE	10	203205	1	14835				
	SPRING ON LARGE BALL	11	WH-10091	1	61877				
	GASKET—COPPER	12	204844	1	17556				
PRESSURE LINES	PLUG	13	WH-10071	1					
	PIPE PLUG	14	210311	5	35410				
	TOTAL ASSEMBLY	15	212913	1					
	VALVE STEM & CROSS PIN	16	212549	1					
RELEASE VALVE	RELEASE VALVE	17	212227	1					
	RELEASE STEM "O" RING	18	212230	1	11110 (214355)				
BY-PASS VALVE SPEED PUMP	VALVE & FRICTION DRAG CAGE	19	200059	1					
	VALVE STEM	20	G-17311	1					
	FRICTION DRAG	21	G-17301	1					
	FRICION DRAG	22	G-17121	1					
OIL GAGE LINE	SPRING	23	WH-10121	1					
	GASKET	24	204846	1	17574				
	PLUG	25	G-17321	1					
	PIPE PLUG	26	205495	1					
SCREEN	SCREEN	27	WH-9951	1					
	TAPERED RIVETS	28	201808	1					
CYLINDER	CYLINDER	29	212164	1					
	"O" RING	30	212165	1	17233				
	RAM & CAP ASSEMBLY	31	212168	1					
RAM	RAM	32	WH-902	1					
	CAP	33	WH-9991	1					
	HEEL PLATE	34	212166	1					
	LEATHER CUP	35	200518	1	60611				
	WASHER	36	204400	1					
	NUT	37	203301	1					
RAM GLAND PACKING	NUT	38	WH-10021	1					
	PACKING RINGS	39	209845	2	60168				
	COLLAR	40	WH-10301	1					



NUMERICAL INDEX

Walker Part No.	Code No.
G-17121	22
G-17301	21
G-17311	20
G-17321	25
WH-9951	27
WH-9971	9
WH-9981	3
WH-10071	13
WH-10091	11
WH-10121	23
WH-10141	5
201808	28-77
203198	2
203200	8
203201	4
203205	10
204844	12
204846	24
205495	26
210311	7-14
212227	17
212230	18
212549	16
212554	1

NUMERICAL PARTS PRICE LIST

Part No.	Code No.	Price Each	Part No.	Code No.	Price Each	Part No.	Code No.	Price Each	Part No.	Code No.	Price Each
G-17121	22	\$.10	WH-9991	33	\$ 1.50	203200	8	\$.02	210671	78	N/C
G-17301	21	.55	WH-10021	38	3.80	203201	4	.02	210672	80	N/C
G-17311	20	.55	WH-10071	13	.20	203205	10	.05	210673	49	\$.45
G-17321	25	.15	WH-10091	11	.05	203277	65	.05	211035	45	.05
			WH-10101	76	N/C	203301	37	.10	211062	79	N/C
WH-902	32	8.90	WH-10121	23	.05	203337	53	.05	211130	48	1.10
WH-922	60	2.00	WH-10141	5	.05	204235	52	.02	211131	59	3.20
WH-1012	72	.85	WH-10301	40	2.10	204279	60	.02	212164	29	11.55
WH-1032	41	7.60				204400	30	.20	212165	30	.05
WH-9611	51	.05	200095	44-46	.05	204402	58	.02	212166	34	5.35
WH-9621	63	.15	20005	62	.10	204494	69	.02	212168	31	16.95
WH-9801	57	.05	200057	71	.05	204426	71	.02	212227	17	.05
WH-9811	68	.05	200059	19	.75	204844	12	.05	212230	18	.20
WH-9911	55	.90	200518	35	1.00	204846	24	.05	212549	16	.30
WH-9921	66	2.40	201346	43	.05	205495	26	.35	212554	1	34.60
WH-9931	56	.05	201641	73	.05	208937	47	2.35	212913	15	.60
WH-9941	67	.05	201808	28-77	.02	209845	39	.35			
WH-9951	27	.95	201826	50	.35	209910	54	.10	901489	42	6.95
WH-9971	9	.05	201829	61	.15	210311	7-14	.10			
WH-9981	3	.05	203198	2	.02	210631	70	.10	10610	75	1.70

CROSS INDEX

Old No.	New No.	Old No.	New No.	Old No.	New No.	Old No.	New No.	Old No.	New No.
AZ-14	204426	WH-9631	200518	Z-311	210631	Z-562	203301	Z-968	203277
AZ-146	204235	WH-9651	204402	Z-346	203337	Z-643	201808	Z-969	204279
		WH-9661	204404	Z-507	210311	Z-720	203201	Z-1131	204844
G-18021	201826	WH-9671	204400	Z-510	203198	Z-809	201346	Z-1132	205495
		WH-9791	201829	Z-561	203200	Z-939	204846		

WALKER MANUFACTURING COMPANY OF WISCONSIN

RACINE, WISCONSIN

Printed in U. S. A.