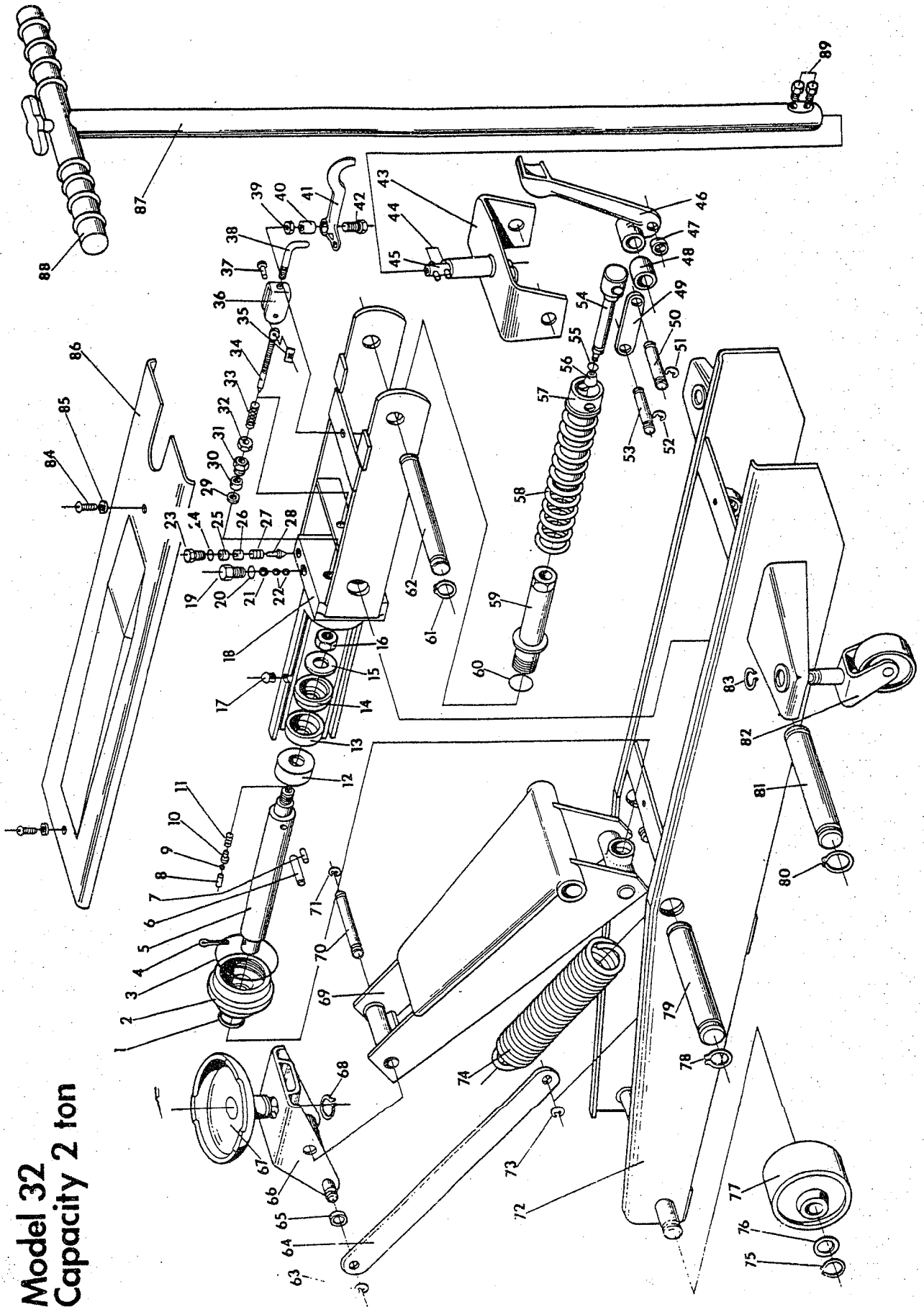


Model 32
Capacity 2 ton





VIKING

2 ton Spare Parts List Model 32

IMPORTANT
ORDER BY PART NUMBER AND NAME

REF. NR.	PART NAME	QTY.	PART NR.
01	O-Ring	1	4880
02	Head Nut	1	6121
03	O-Ring	1	4940
04	Split Pin	1	5510
05	Piston	1	7461
05C	Piston, Compl. (5/16)	1	3802
06	Pin	1	2021
07	Pin	1	2011
08	Pin	1	2011
09	Ball	1	3070
10	Spring Guide	1	2001
11	Spring	1	3140
12	Piston Collar	1	5021
13	Leather Cup	1	2710
14	Rubber Cup	1	6501
15	Washer	1	1261
16	Nut	1	3230
17	Rubber Plug	1	3461
18	Pump House	1	3842
19	Valve Plug	1	5420
20	O-Ring	1	4470
21	Ball	1	3080
22	Ball	2	3100
23	Overload Plug	1	5400
24	O-Ring	1	6590
25	Screw	1	6670
26	Needle Guide	1	7991
27	Spring	1	3140
28	Needle	1	6651
29	Washer	1	5550
30	Packing	1	6421
31	Nipple	1	5401
32	Nut	1	3220
33	Spring	1	4990
34	Release Needle	1	3491
35	Locking Washer	1	3050
36	Screw Lock	1	7321
37	Rivet	1	3000
38	Swivel Screw	1	5391
39	Nut	1	5540
40	Spacer	1	6691
41	Release Lever	1	6681
42	Bolt	1	5410
43	Fork	1	3832
43C	Fork, Compl. (43 + 44 + 45)	1	3822
44	Tension Pin	2	3120
45	Cam	1	2392
46	Pedal	1	5421
47	Spacer	2	7191
48	Spacer	2	7361

REF. NR.	PART NAME	QTY.	PART NR.
49	Pump Link	2	6191
50	Axle	1	7331
51	Track Ring	2	5110
52	Track Ring	2	5100
53	Axle	1	7341
54	Pump Piston	1	3813
54C	Pump Piston, Compl. (54 + 55 + 56)	1	5222
55	O-Ring	1	2840
56	Cup	1	2660
57	Pump Cover	1	3412
58	Spring	1	5080
59	Pump Cylinder	1	3852
59C	Pump, Compl. (59 + 54C)	1	5232
60	O-Ring	1	2850
61	Track Ring	2	5130
62	Axle	1	7351
63	Track Ring	2	5110
64	Parallel Link	2	7181
65	Spacer	2	7191
66	Saddle Carrier	1	3932
67	Saddle	1	3772
68	Track Ring	1	5180
69	Arm	1	3402
70	Axle	1	7211
71	Track Ring	2	5110
72	Frame	1	3862
73	Track Ring	2	5110
74	Spring	1	5560
75	Track Ring	2	5130
76	Washer	2	3571
77	Wheel	2	5951
78	Track Ring	2	5140
79	Axle	1	7091
80	Track Ring	2	5140
81	Axle	1	7091
82	Caster	2	2492
83	Track Ring	2	5120
84	Bolt	2	6270
85	Washer	2	6280
86	Cover	1	7471
87	Handle	1	3942
87C	Handle, Compl. (87 + 88 + 89)	1	5242
88	Grip	2	5590
89	Bolt	2	5400
—	Repair Kit (1 + 13 + 14 + 17 + 20 + 24 + 30 + 50 + 55 + 56)	1	683025
—	Power Unit (1/34 + 59C + 60)	1	5532
—	Power Unit, Compl. (1/60)	1	5542

