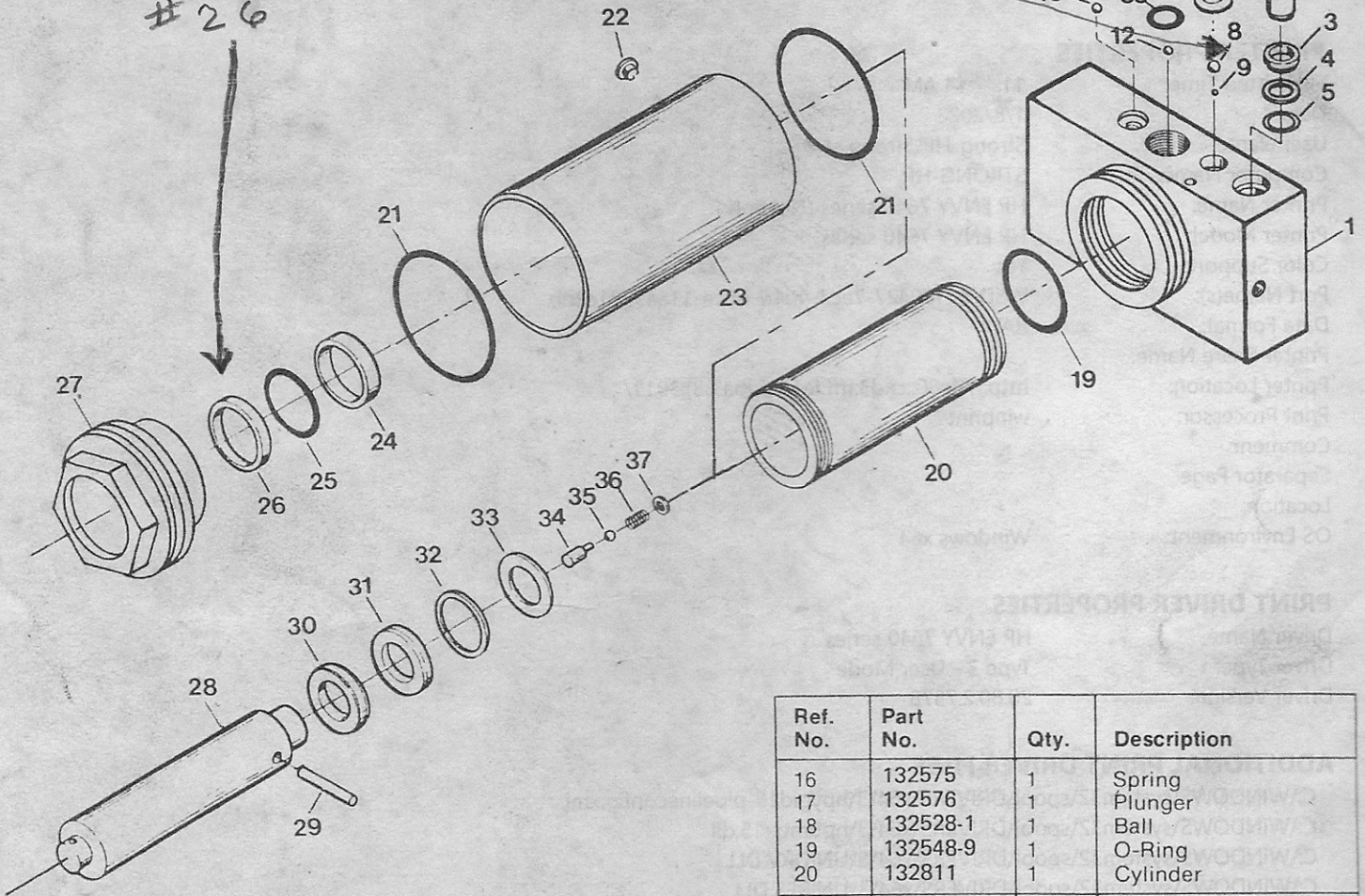


# REPAIR PARTS LIST

## POWER UNIT ASSEMBLY

THESE TWO WIPERS WEREN'T  
IN THE SEAL KIT #3

#26



Ref. No.	Part No.	Qty.	Description
1	132815	1	Valve Block
2	132564	1	Plunger
3	132563	1	Wiper
4	132562	1	Back-Up Ring
5	132548-3	1	O-Ring
6	132572	1	Plug Screw
7	132807	1	Washer
8	132528-4	1	Ball
9	132528-2	1	Ball
10	132688	1	Release Valve Assembly
11	132569	1	Actuator
12	132528-3	1	Ball
13	132817	1	Plug Screw
14	132818	1	Seal Washer
15	132573	1	Overload Valve Screw

Ref. No.	Part No.	Qty.	Description
16	132575	1	Spring
17	132576	1	Plunger
18	132528-1	1	Ball
19	132548-9	1	O-Ring
20	132811	1	Cylinder
21	132548-6	2	O-Ring
22	132558	1	Oil Fill Plug
23	132812	1	Reservoir
24	132809	1	Bushing
25	132548-7	1	O-Ring
26	132810	1	Wiper
27	132808	1	Tank Nut
28	132813	1	Ram
29	132550	1	Ram Pin
30	132551	1	Ram Seal Washer
31	132552	1	O-Ring Retainer
32	132548-2	1	O-Ring
33	132554	1	Seal Retainer Washer
34	132555	1	Limit Valve Pin
35	132528-2	1	Ball
36	132556	1	Spring
37	132814	1	Valve Retainer
38	132570	1	Guide Plate
39	132548-5	1	O-Ring