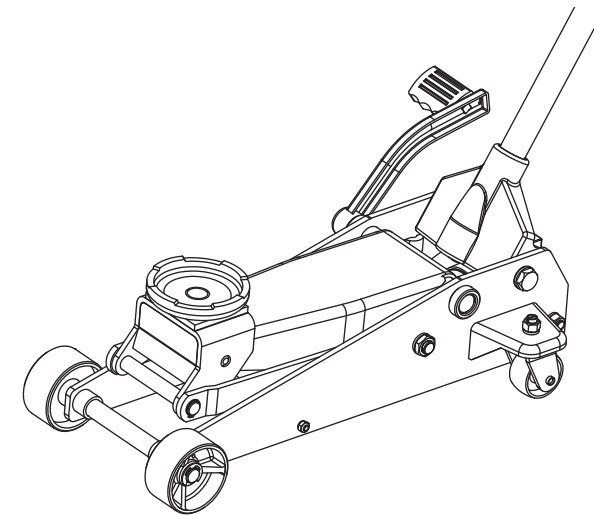




Torin
BLACK JACK[®]
OWNER'S MANUAL
2500KG TROLLEY JACK

MODEL: BJ-2500HD
Working Load Limit: 2500KG



Torin
BLACK JACK[®]

FOR CUSTOMER SERVICE

1800 833 800

Imported by
SJS Investment Pty Ltd
Bayswater WA6053



■ **Contents:**
Safety Instructions
Operation
Maintenance
Repair Parts List

■ **Specifications:**
Height Lowered: 145mm
Height Raised: 500mm

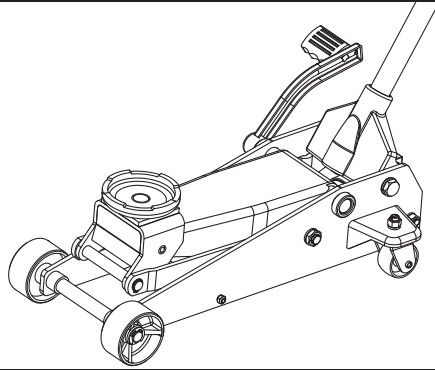
This jack complies with mandatory Australian/New Zealand Standards
AS/NZS 2615:2004

CAUTION

This jack is designed for lifting purposes only. Please read the enclosed instructions for safe and correct operating procedures



SPECIFICATIONS



Rated Capacity
Working Load Limit

2500 kg

Height Lowered

145 mm

Height Raised

500 mm

OPERATIONS

To Raise Jack

- Turn the operating handle clockwise until the release valve closes. Do not over tighten the valve.
- Place jack directly under the object to be lifted so that the saddle takes up weight firmly and centrally. Pump handle until saddle takes a slight amount of weight. Check positioning under slight load to make sure jack will not slip.
- Continue pumping and raise jack to required height. When lift completed, place jack stands in position. This is critical as the load may be knocked and therefore move the hydraulic jack from a safe position.

To Lower Jack

- Slowly turn the operating handle counter clockwise. The speed of lowering is controlled by the amount the valve is opened, which is controlled by the handle.

INSPECTION

The product shall be maintained in accordance with the product instructions. No alterations shall be made to this product.

Prior to Use

A visual inspection should be carried out to ensure jack is in good working order. Look for oil leaks, loose parts, weld cracks and that all necessary operating components are available.

After Use

Check again as per no 1. Should the trolley jack be subjected to extreme loads or shock, it is recommended the product be sent to a recommended repairer via the manufacturer's representative. Store the trolley jack in a fully lowered position.

Annual Inspection

An annual inspection is highly recommended and should be carried out by the manufacturer's or supplier's agent.

MAINTENANCE

Hydraulic equipment requires correct oil. Check SAE rating which should be 10 every 4 months, and more often with daily use, check hydraulic oil levels. Ensure when replacing oil that dirt or grit does not enter the system. This would affect the capacity of the jack. Replace oil through plug screw. Other moving exterior parts of the jack need regular oiling with a general lubricating oil. This should be carried out every 4 months, and more often with regular use. See diagram for oiling points.

TROUBLE SHOOTING

PROBLEM	POSSIBLE CAUSE	ACTION
Jack will not lift to full height	Low oil level	Check oil level
Jack will not hold load	Release valve not closing Hydraulic jack oil contaminated Pump valves not sealing Cylinder ram binding	Call customer service
Lift arm will not lower	Cylinder ram binding Parts worn Internal damage Broken return spring or unhooked Lift arm linkage bent or binding	Call customer service
Jack feels spongy when lifting	See Air Purge section	See Air Purge procedure

BEFORE USE

Often during shipment and handling air enters the hydraulic system, causing poor performance.

To clear this problem, prior to operation purge air from the system by fully opening release valve, turn handle counter clockwise then, while holding the saddle down, operate pump handle rapidly several times.

CHECK OIL LEVEL

1. Turn release valve counterclockwise to allow ram to fully retract. It may be necessary to apply force to the saddle for lowering.
2. Remove the inspection plate
3. With the jack in the level position, remove the oil fill plug. The oil level should be at about 10mm below the bottom of the filler hole. Do not overfill. Always fill with new, clean hydraulic jack oil.
4. Replace fill plug and inspection plate. Check jack operation. Purge air from system as required.

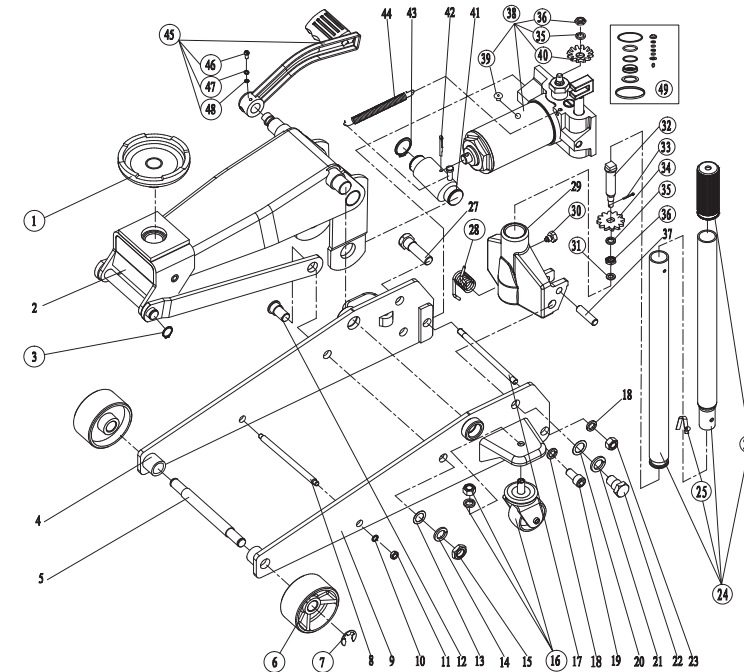
USER INSTRUCTION

This hydraulic trolley jack is designed for use with a 120 mm diameter head cap, and a handle length of 1013 mm.

WARNING!

- The hydraulic trolley jack should be used on a hard level surface and be free to roll during lifting and lowering.
- The unlifted wheels of the vehicle should be chocked.
- The load should be centrally located on the head cap.
- No person should remain in a vehicle that is being lifted.
- The hydraulic trolley jack should be used for lifting and lowering only; the raised vehicle should be supported on vehicle support stands.
- No person should get bodily under a vehicle that is supported by a hydraulic trolley jack.
- The vehicle manufacturer owner's manual should be consulted prior to the lifting of the vehicle.
- Do not overload the jack beyond it's related capacity.
- Do not use jack as a towing object.
- Ensure all persons and equipment are clear when lowering the jack.
- Do not make alterations or changes to the structure of the jack.

PARTS LIST



REF#	PART	DESCRIPTION	QTY
1	T83502_6	Saddle	1
2		Lifting arm assembly	1
3	GB894_1-Φ16	Clip Φ16mm	2
4		Right frame assembly	1
5		Shaft for front wheel	1
6	QL221-6	Front wheel	2
7	GB896-M15	Side-mount external retaining ring Φ15mm	2
8		Connected rod	1
9		Left frame assembly	1
10		Spring washer M8	2
11		Nut M8	2
12		Connecting rod pintle	2
13		Washer M16	2
14		Spring washer M16	2
15		Nut M16	2
16	T830021_5(asm)	Rear wheel assembly	2
17		Back shaft	1
18	GB859-M12	Spring washer M12	4
19		Socket head cap screw M12X25mm	2
20		Washer M18	2
21		Spring washer M18	2
22		Left bolt M18X35_5mm	1
23	GB6170-M12	Nut M12	2
24	QL22C_2c	Handle assembly	1
25	T830026_3-3	Piece of spring	1
26	QL22C_2-4	Handle cover	1
27		Right bolt M18X66_5mm	1
28	QL22C-4	Topion spring	1
29		Handle socket	1
30	QL22C-1a	Handle socket screw M10X19mm	1
31	GB848-M8	Washer M8	1
32	QL22C_3-2C	Shaft for spur gear	1
33	GB91-2	Cutter pin Φ2x16mm	1
34	QL22C_3-3a	Spur gear	1
35	GB859-M10	Spring washer M10	2
36	GB6172-M10	Nut M10	2
37		Pump plunger pin	1
38	T83502_3a	Power unit assembly	1
39	TF1201C-29	Oil plug	1
40	QL22C_6-3a	Helical gear	1
41		Coupling connector	1
42		Cutter pin Φ4x40mm	1
43		Clip Φ30mm	2
44		Return spring	1
45	T83502_4(asm)	Foot pedal assembly	1
46	GB67-M5X12	bolt M5X12mm	1
47	GB859-M5	Spring washer M5	1
48	GB97_1-M5	Washer M5	1
49	T830021_MF	Seal kit	1