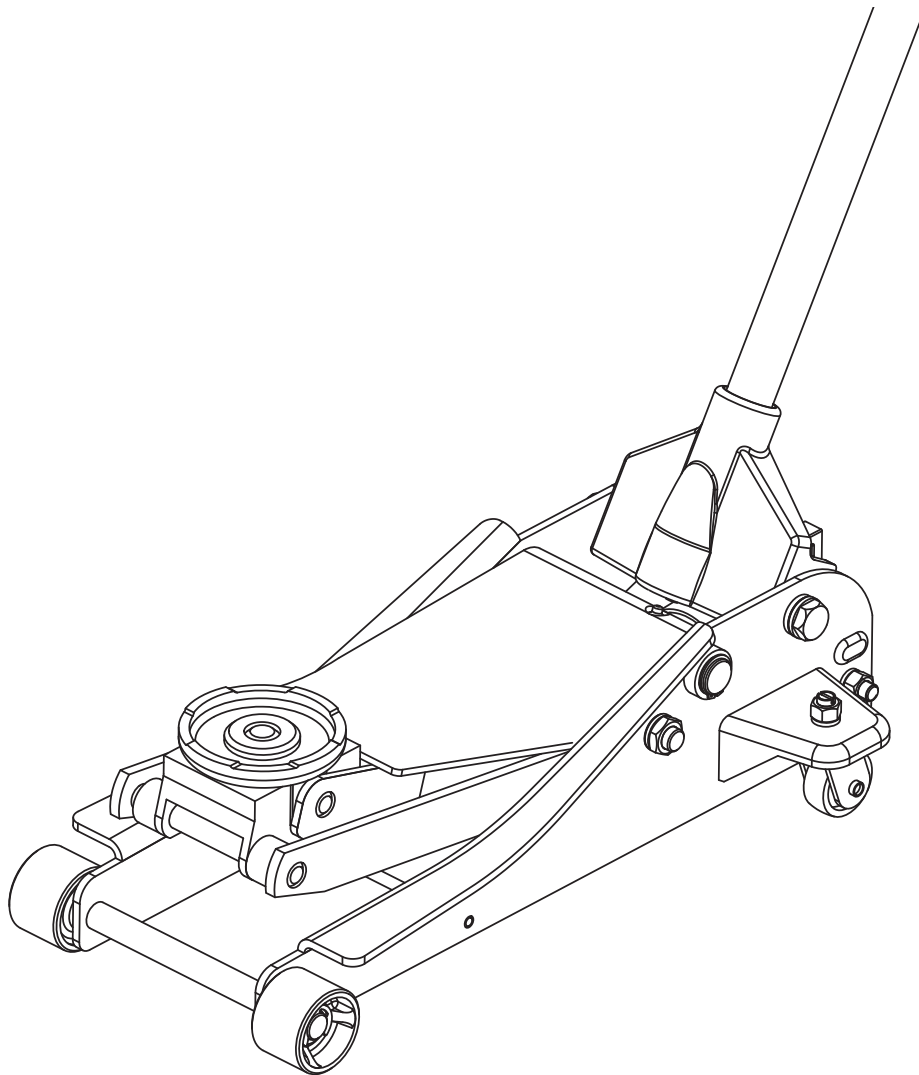




OWNER'S MANUAL

3 TON LOW PROFILE SERVICE JACK

Item: T830018



▲ WARNING!

Questions, problems, missing parts? Before returning to your retailer, call our customer service department at 1-888-44-TORIN (1-888-448-6746), 8 a.m. - 5 p.m., PST, Monday-Friday.

Read carefully and understand all ASSEMBLY AND OPERATION INSTRUCTIONS before operating. Failure to follow the safety rules and other basic safety precautions may result in serious personal injury.

IMPORTANT

Before You Begin Register This Product.

For future reference, record the model name, model number, date of manufacture and purchase date of this product. You can find this information on the product.

Model Name _____

Model Number _____

Date of Manufacture _____

Date of Purchase _____

OWNER / USER RESPONSIBILITY

DO NOT OPERATE OR REPAIR THIS PRODUCT WITHOUT READING THIS MANUAL.

Read and follow the safety instructions. Keep Instructions readily available for operators. Make certain all operators are properly trained and understand how to safely and correctly operate the product. By proceeding you agree that you fully understand and comprehend the full contents of this manual. Failure to operate this product as intended may cause injury or death. The manufacturer is not responsible for any damages or injury caused by improper use or neglect. Allow product operation only with all parts in place and operating safely. Use only genuine replacement parts. Service and maintain the product only with authorized or approved replacement parts; negligence will make the product unsafe for use and will void the warranty. Carefully inspect the product on a regular basis and perform all maintenance as required. Store these instructions in a protected dry location. Keep all decals on the product clean and visible. Do not modify and/or use for any application other than that for which this product was designed. If you have any questions relative to a particular application, DO NOT use the product until you have first contacted the distributor or manufacturer to determine if it can or should be performed on the product.

For technical questions please call 1-888-448-6746.

INTENDED USE

This heavy-duty jack has a single hydraulic pump piston that effortlessly raises the lift arm. Pump piston dust shields and wiper seals protect the hydraulic system from contaminants. The jack features an overload valve bypass system to prevent jack damage and user injury. Compact design allows use in confined spaces. Easily fits under low vehicles. Meets ASME PASE safety standards.

TECHNICAL SPECIFICATIONS

Item	Capacity	Lifting Range Min. (Inch)	Lifting Range Max. (Inch)	Lifting Range Min. (cm)	Lifting Range Max. (cm)
T830018	3 TON	3-3/8	17-15/16	8.5	45.5

GENERAL SAFETY RULES

- ⚠ **WARNING:** Read and understand all instructions. Failure to follow all instructions listed below may result in serious injury.
- ⚠ **CAUTION:** Do not allow persons to operate or assemble this jack until they have read this manual and have developed a thorough understanding of how the jack works.
- ⚠ **WARNING:** The warnings, cautions, and instructions discussed in this instruction manual cannot cover all possible conditions or situations that could occur. It must be understood by the operator that common sense and caution are factors that cannot be built into this product, but must be supplied by the operator.

GENERAL SAFETY RULES IMPORTANT SAFETY CONSIDERATIONS

INSPECTION

- Inspect the jack carefully before each use. Ensure the jack is not damaged, excessively worn, or missing parts.
- Do not use the jack unless it is properly lubricated.
- Using a jack that is not in good clean working condition or properly lubricated may cause serious injury.
- Inspect the work area before each use. Make sure it is free and clear of any potential hazards.

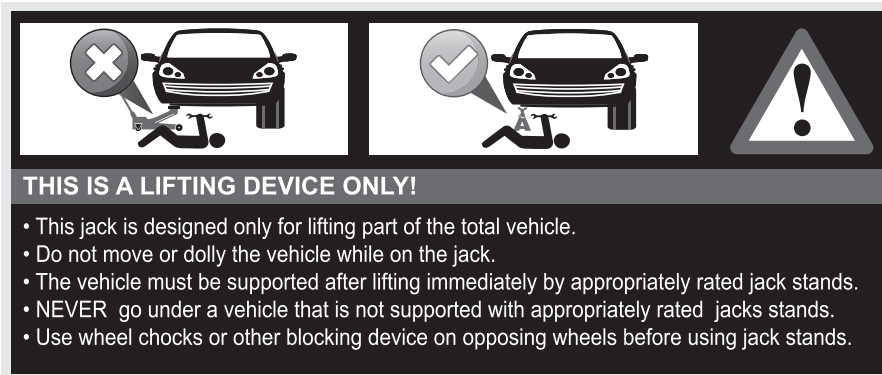
DO NOT OPERATE OR REPAIR THIS EQUIPMENT WITHOUT READING THIS MANUAL.

To maintain the Service Jack and user safety, the responsibility of the owner is to read and follow these instructions.

- Inspect the service jack for proper operation and function.
- Keep instructions readily available for equipment operators.
- Make certain all equipment operators are properly trained; understand how to safely and correctly operate the unit.
- Allow unit operation only with all parts in place and operating properly.
- Use only genuine replacement parts.
- Service and maintain the unit only with authorized or approved replacement parts; negligence will make the jack unsafe for use and void the warranty.
- Carefully inspect the unit on a regular basis and perform all maintenance as required.
- Store these instructions in the handle of your jack.
- Keep all decals on the unit clean and visible.

SAFETY

Always follow safety precautions when installing and operating this jack. Keep all decals on the unit clean and visible. Before proceeding ensure that you fully understand and comprehend the full contents of this manual. Failure to operate this equipment as directed may cause injury or death. The distributor is not responsible for any damages or injury caused by improper use or neglect.



⚠ WARNING!

Always use Jack Stands!

DO NOT USE wood blocks or any other non-approved load sustaining devices. The manufacturer only warrants loads to be sustained by jack stands that meet current ASME standards.

DO NOT USE wood blocks or any other non-approved lifting devices for a means of lifting with the jack and or load being raised. Failure to heed these warnings may cause injury or death.

SAFETY MARKINGS

⚠ WARNING!

1. Study, understand, and follow all instructions before operating this device.
2. Do not exceed rated capacity.
3. Use only on hard, level surfaces, with less than 3 degrees of slope.
4. Lifting device only. Immediately after lifting, support the vehicle with appropriate means.
5. Do not move or dolly the vehicle while on the jack.
6. Lift only on areas of the vehicle as specified by the vehicle manufacturer.
7. No alterations shall be made to this product.
8. Only attachments and/or adapters supplied by the manufacturer shall be used.
9. Do not get under or allow anyone under the vehicle until it has been supported by jack stands.
10. Center load on saddle prior to lifting.
11. Use wheel chocks or other blocking device on opposing wheels before using jack.
12. Never use on a lawn mower or lawn tractor.
13. Do not use this jack for any use other than the manufacturer specified usage.
14. Do not rock the vehicle while working on or around equipment.
15. The following are not recommended for supporting on this equipment: Foundations, Homes, Mobile Homes, Trailers, RV's, Campers, nor Fifth Wheels, etc...
16. Failure to heed these markings may result in personal injury and/or property damage.

GENERAL SAFETY INSTRUCTIONS

Position the Jack

Position the jack to only lift on the areas of the vehicle as specified by the vehicle manufacturer.

Always Use Jack Stands

After lifting the vehicle always support the load with appropriately rated vehicle Jacks stands before working on the vehicle.

Do Not Overload Jack

Do not overload this jack beyond its rated capacity. Overloading this jack beyond its rated capacity can cause damage to or failure of the jack.

Always Use on Hard Level Surfaces

This jack is designed only for use on hard level surfaces capable of sustaining the load. Use on unstable or other possible loss of load.

Chock and Block (Stabilize)

Apply parking brake in vehicle before operating jack.

A chock is a wedge for steadying an object and holding it motionless, or for preventing the movement of a wheel Chock the wheel opposite the end being lifted.

When you block a load, you secure and support a load that is being lifted. The block(s) or stabilizer(s) should have a weight capacity that is greater than the weight of the load which is being lifted.

Center Load on Jack Saddle

Center load on jack saddle before lifting vehicle.

Off-center loads and loads lifted when the jack is not level can cause loss of load or damage to the jack.

Do not raise or lower the vehicle unless tools, materials and people are clear.

When the lift is being lowered, make sure everyone is standing at least six feet away. Be sure there are no tools or equipment left under or around the jack before lowering.

Always lower the jack slowly.

DO NOT USE THE JACK TO SUPPORT OR STABILIZE A LOAD.

Using the jack to support or stabilize a load may result in unexpected movement and result in serious injury, being crushed and death. Always securely chock and block (stabilize) the load to be lifted. Never place any part of the body under a raised load without properly chocking and supporting the load.

Never use the jack on curved or tubular vehicle

Bumpers, this will result in the vehicle slipping off the jack and falling, causing serious injury or death. Use a bumper lift to lift most vehicles with curved bumpers or plastic bumpers.

Wear ANSI-approved safety glasses and heavy-duty work gloves during use.

Do not adjust the safety valve.

Do not move or dolly vehicle while jack is in use.

Stay alert. Use caution and common sense when operating jack. Do not use a jack when tired, incoherent, dizzy, under the use or drugs or alcohol.

Training

Read this manual before use. Do not allow anyone who has not read this manual, and/or does not understand the requirements, to use the jack.

Spectators

Do not allow bystanders around the jack or under the load supported only by the jack. -Do not allow anyone in the vehicle while the jack is in use. Keep all bystanders away from vehicle when in use.

Inspection

Inspect the jack carefully before each use. Ensure the jack is not damaged, excessively worn, or missing parts. -Do not use the jack unless it is properly lubricated. -Using a jack that is not in good clean working condition or properly lubricated may cause serious injury.

Additional Notes:

Save the receipt, warranty and these instructions.

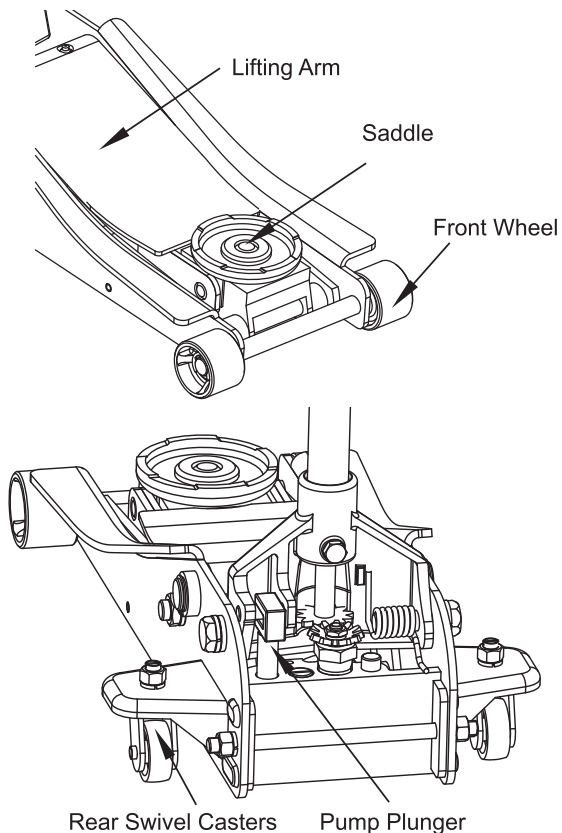
Do not modify the jack in any way. Unauthorized modification may impair the function and/or safety and could affect the life of the equipment. There are specific applications for which the jack was designed.

Always check for damaged or worn out parts before using the jack. Broken parts will affect the equipment operation. Replace or repair damaged or worn parts immediately.

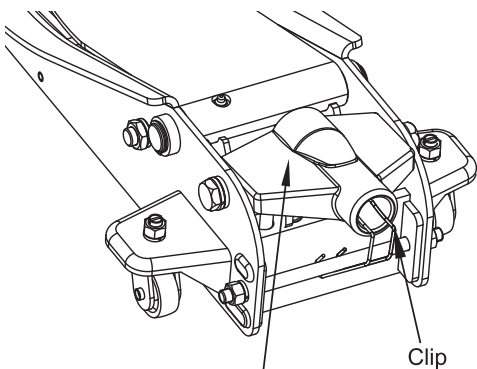
When jack is not in use, store it in a secure place out of the reach of children. Inspect it for good working condition prior to storage and before re-use.

ASSEMBLY

1. Familiarize yourself with the jack.



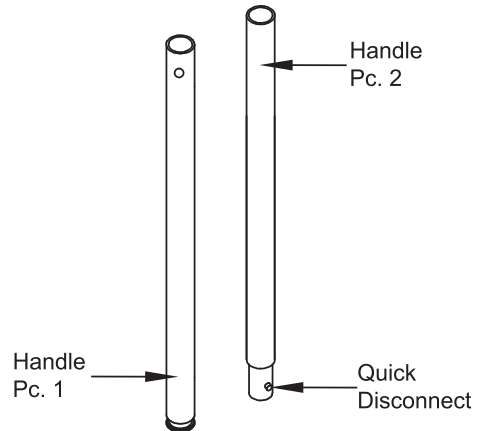
2. Prior to assembly, carefully remove the retaining clip attached to the handle socket. **CAUTION:** The socket will tend to spring upward when the clip is removed. To prevent possible injury, place one hand on the top of handle socket to control the upward motion of the handle socket retaining clip, and then carefully remove the retaining clip. After removed slowly allow handle socket to rise back into resting position.



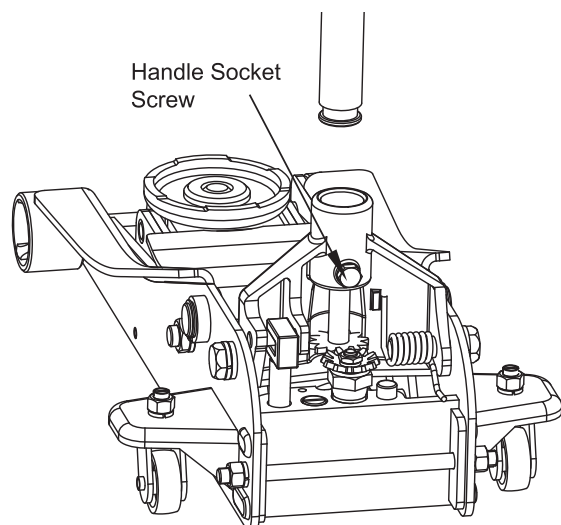
⚠ WARNING!

Once retaining clip is removed, **SLOWLY** allow handle socket to rise back into resting position. Use **CAUTION** when removing retaining clip, handle socket will spring forward rapidly.

3. Refer to picture 2 when performing this step. Press Quick Disconnect on handle piece 2, this will allow slide handle pieces 1 and 2 connect, align the holes on both sections to allow quick disconnect to trigger. Quick disconnect will automatically pop out when hole position is correct.



4. Unfasten the screw located in the Handle Socket to insert the assembled handle.
5. Line up the square hole located at the bottom of the handle over the square bolt inside the Handle Socket.
6. Secure the handle in place by tightening the screw in the Handle Socket Without any vehicle on the jack. Cycle the lift up and down several times to insure the hydraulic system is operating properly. (Perform to the Air Purge Procedure before first use.)



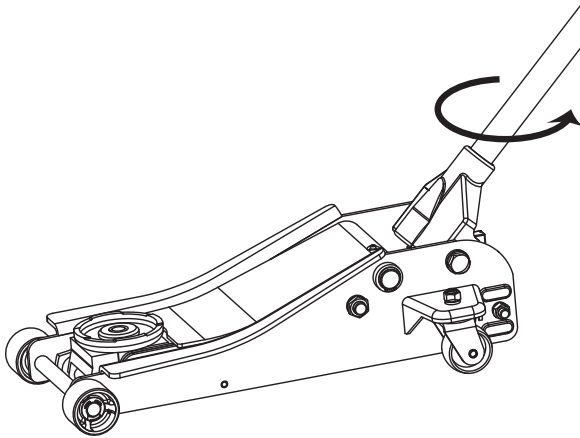
⚠ **WARNING:** Do not lift or carry jack by handle. Handle could dislodge and jack may fall, resulting in possible injury or property damage.

SYSTEM AIR PURGE PROCEDURE

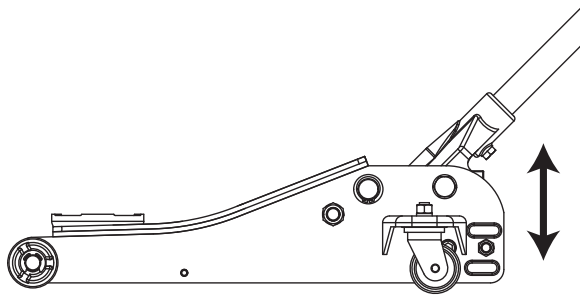
IMPORTANT: BEFORE FIRST USE

Perform the following Air Purge Procedure to remove any air that may have been introduced into the hydraulic system as a result of product shipment and handling. This step is to be completed without any weight on the jack.

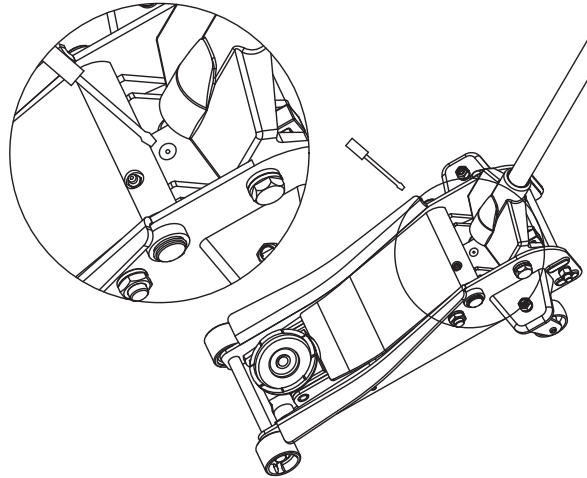
1. Turn release valve counter-clockwise on full turn to the open position.



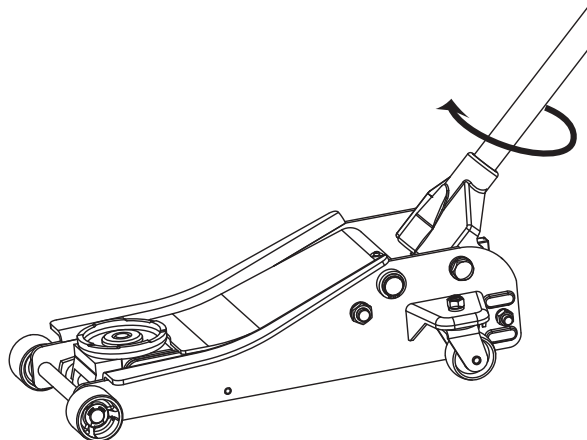
2. Rapidly pump the handle 6-8 times. Leave handle in down position to expose oil fill plug.



3. With a flat blade screwdriver, unscrew the oil fill plug slightly to purge trapped air from system. (For RUBBER OIL PLUGS Use caution not to tear or puncture the oil plug.)



4. Turn release valve clockwise to the closed position.



5. Jack is now ready for use. Check for proper pump action. (Repeat steps if necessary).

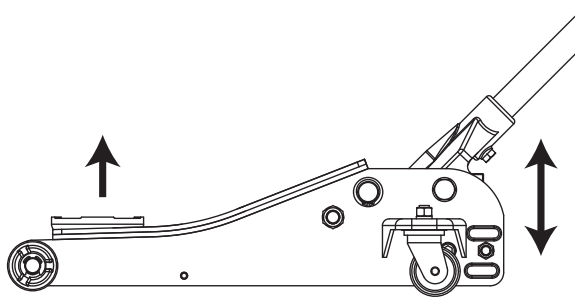
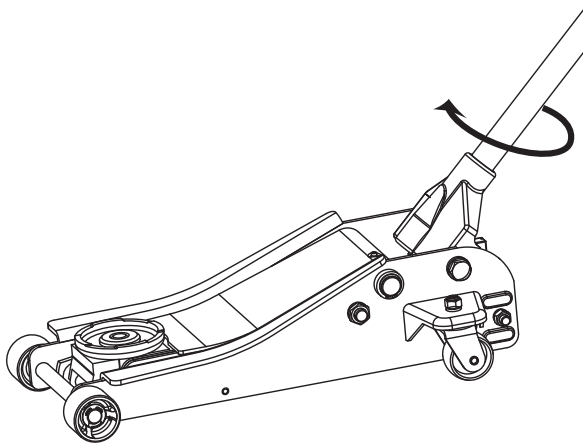
BEFORE USE

1. Before using this product, read the owner's manual completely and familiarize yourself thoroughly with the product and the hazards associated with its improper use.
2. Perform the air purge procedure. (See System Purge Procedure.)
3. Check and that the pump operates smoothly before putting into service.
4. Inspect before each use. Do not use if bent, broken or cracked components are noted.

OPERATION

RAISING THE JACK

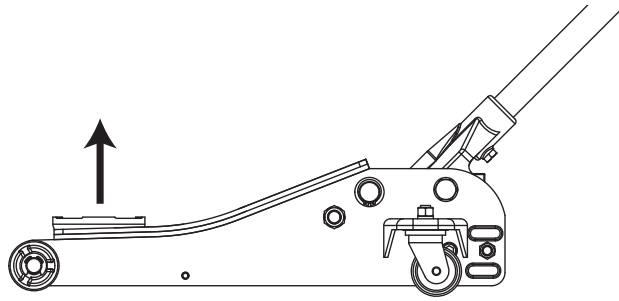
1. Block the vehicle's wheels for lifting stability.
Secure the load to prevent inadvertent shifting and movement
2. Position the jack near desired lift point.
3. Set the Parking Brake in the vehicle.
4. Refer to the vehicle manufacturer owner's manual to locate approved lifting points on the vehicle. Position the jack so that the saddle is centered and will contact the load lifting point firmly.
5. Assemble the handle; ensure to align with slots.
6. Close the release valve by turning it clockwise until it is firmly closed.
7. Before raising the vehicle double check and verify the saddle is centered and also has full contact with the lifting point.
8. Pump handle to lift until saddle contacts load. Continue to pump the jack handle to lift the vehicle to the desired height. After lifting, support the load with appropriately rated vehicle support stands before working on the vehicle.



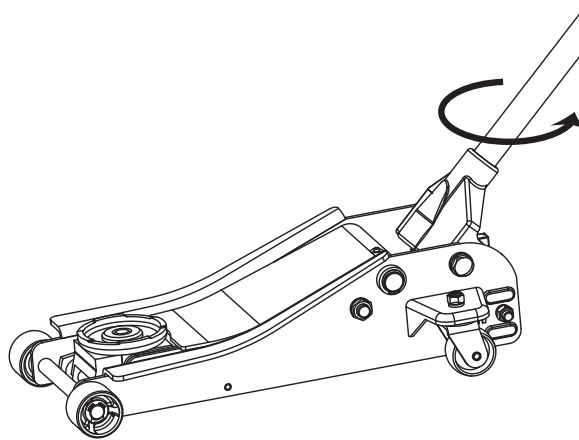
⚠ CAUTION: NEVER WIRE, CLAMP OR OTHERWISE DISABLE THE LIFT CONTROL VALVE TO FUNCTION BY ANY MEANS OTHER THAN BY USING THE OPERATOR'S HAND. USE THE HANDLE PROVIDED WITH THIS PRODUCT OR AN AUTHORIZED REPLACEMENT HANDLE TO ENSURE PROPER RELEASE VALVE OPERATION. DO NOT USE EXTENSIONS ON THE OPERATING HANDLE.

LOWERING THE JACK

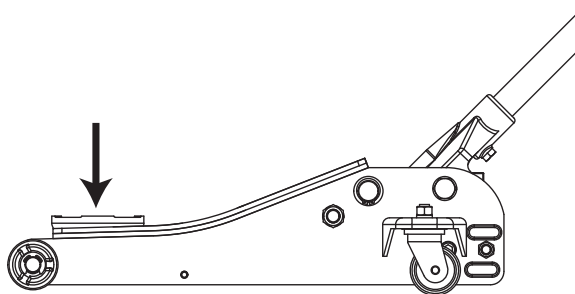
1. Raise load high enough to allow clearance for the jack stands to be removed, then carefully remove jack stands.



2. Remove support stands.
3. Grasp the handle firmly with both hands. Securely hold on to the jack handle so your hands do not slip and ensure the release valve does not rapidly lower.
4. Carefully open the Release Valve by slowly turning the handle counter-clockwise. (Do not allow bystanders around the jack or under the load when lowering the jack.)



5. After removing jack from under the load, keep jack in the lowered position to reduce exposure to rust and contamination.



⚠ WARNING: WARNING: USE EXTREME CAUTION WHEN LOWERING THE JACK. THE JACK HANDLE MAY TURN RAPIDLY. OPENING THE RELEASE VALVE TOO FAST CAN CAUSE THE JACK TO LOWER RAPIDLY. FAILURE TO HEED THESE WARNINGS COULD CAUSE SERIOUS INJURY OR DEATH.

MAINTENANCE INSTRUCTIONS

If you use and maintain your equipment properly, it will give you many years of service. Follow the maintenance instructions carefully to keep your equipment in good working condition. Never perform any maintenance on the equipment while it is under a load.

Inspection

You should inspect the product for damage, wear, broken or missing parts (e.g.: pins) and that all components function before each use. Follow lubrication and storage instructions for optimum product performance.

Binding

If the product binds while under a load, use equipment with equal or a larger load capacity to lower the load safely to the ground. After un-binding; clean, lubricate and test that equipment is working properly. Rusty components, dirt, or worn parts can be causes of binding. Clean and lubricate the equipment as indicated in the lubrication section. Test the equipment by lifting without a load. If the binding continues contact Customer Service.

Cleaning

If the moving parts of the equipment are obstructed, use cleaning solvent or another good degreaser to clean the equipment. Remove any existing rust, with a penetrating lubricant.

Lubrication

This equipment will not operate safely without proper lubrication. Using the equipment without proper lubrication will result in poor performance and damage to the equipment. Some parts in this equipment are not self-lubricating inspect the equipment before use and lubricate when necessary. After cleaning, lubricate the equipment using light penetrating oil, lubricating spray.

- Use a good lubricant on all moving parts.
- For light duty use lubrication once a month.
- For heavy and constant use lubrication recommended every week.
- NEVER USE SANDPAPER OR ABRASIVE MATERIAL ON THESE SURFACES!

Rust Prevention:

Check rams and pump plungers on the power unit assemblies daily for any signs of rust or corrosion. Without a load lift the equipment as high as it goes and look under and behind the lifting points. If signs of rust are visible clean as needed.

Grease Fittings

Some models contain grease fittings the will regularly need to be greased and lubricated.

How the Jack Operates

With release valve closed, an upward stroke of the jack handle draws oil from the reservoir tank into the plunger cavity. Hydraulic pressure holds the valve closed, which keeps the oil in the plunger cavity. A downward stroke of the jack handle releases oil into the cylinder, which forces the ram out. This raises the saddle. When the ram reaches maximum extension, oil is bypassed back into the reservoir to prevent an over extended ram stroke and possible damage to the jack. Opening the release valve allows oil to flow back into reservoir. This releases hydraulic pressure on the ram, which results in lowering the saddle.

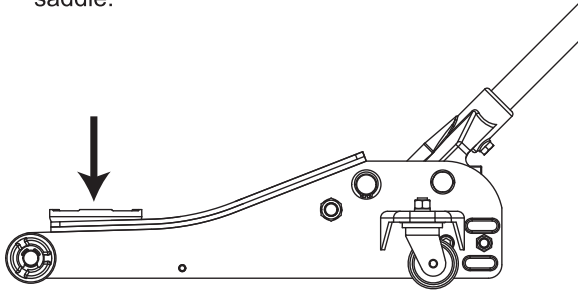
Storing the Jack

1. Lower the Lifting Arm.
2. Place the handle in the upright position.
3. Store in a dry location, recommended indoors.

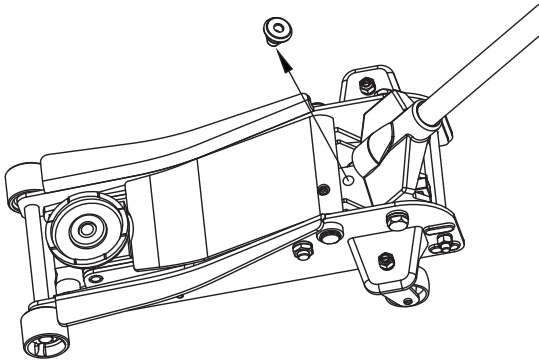
Note: If the jack is stored outdoors, be sure to lubricate all parts before and after use to ensure the jack stays in good working condition. Always store jack in the fully retracted position when stored in outdoor or caustic environments that can cause corrosion and/or rust.

TO ADD JACK OIL

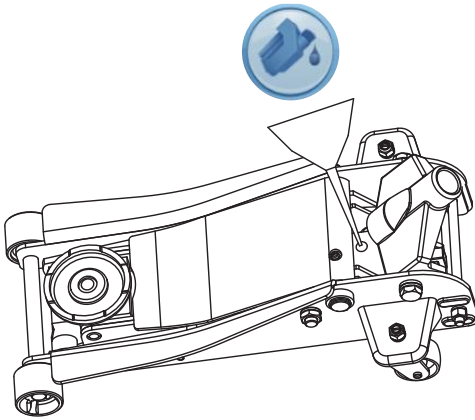
1. Position the jack on level ground and lower the saddle.



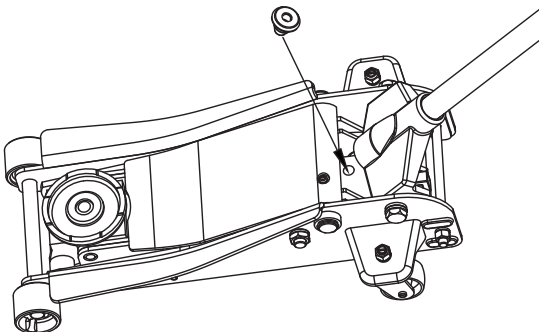
2. Remove the oil plug.



3. Fill the oil case until oil level is just beneath the lower rim of the oil fill hole.



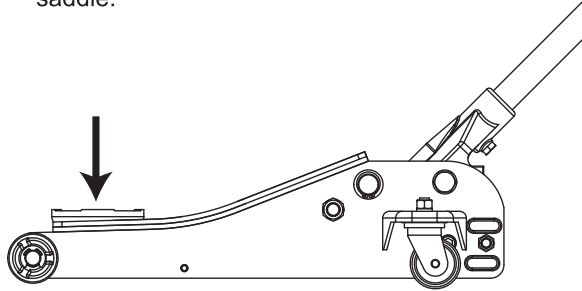
4. Replace oil plug.



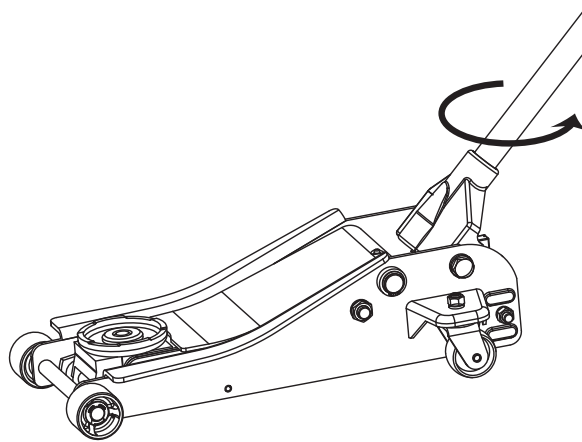
5. Perform the Air Purge Procedure.

TO REPLACE JACK OIL

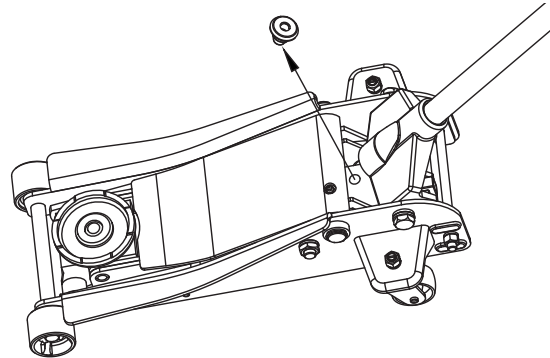
1. Position the jack on level ground and lower the saddle.



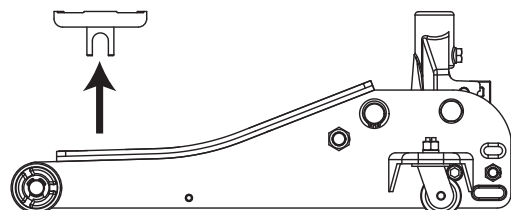
2. Open release valve by turning handle counter-clockwise.



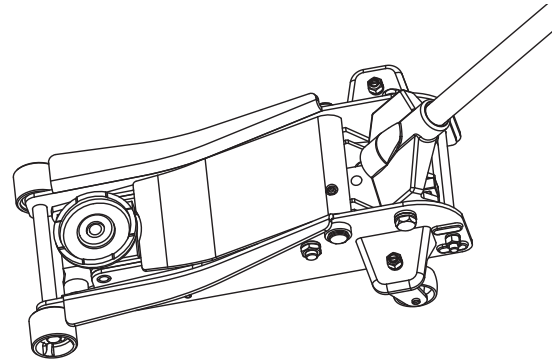
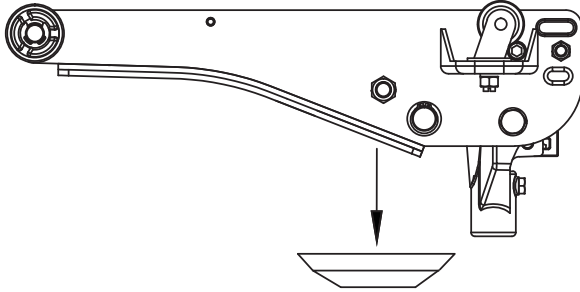
3. Remove the oil fill plug.



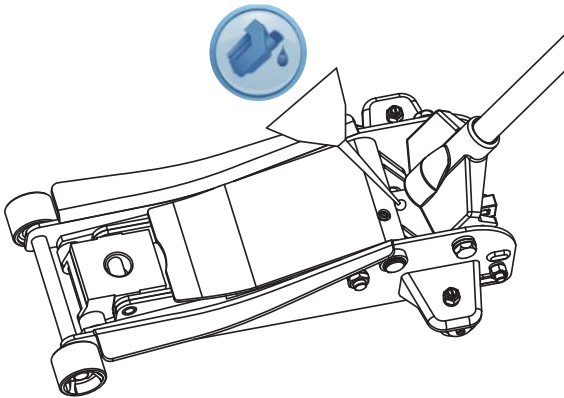
4. Remove the saddle.



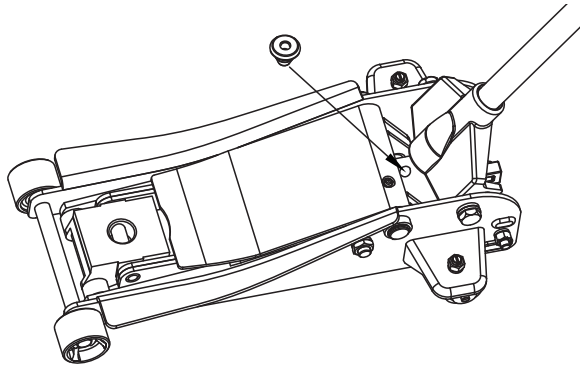
5. Turn the jack on its side to drain old oil from the oil fill hole.



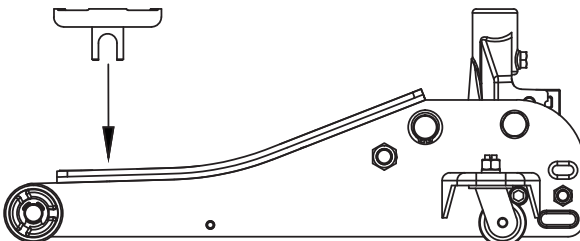
6. Position the jack on level ground and keep saddle in the lowered position. Fill the oil case until oil level is just beneath the lower rim. Keep dirt and other foreign materials clear when pouring.



7. Replace oil plug.



8. Perform Air Purge Procedure.



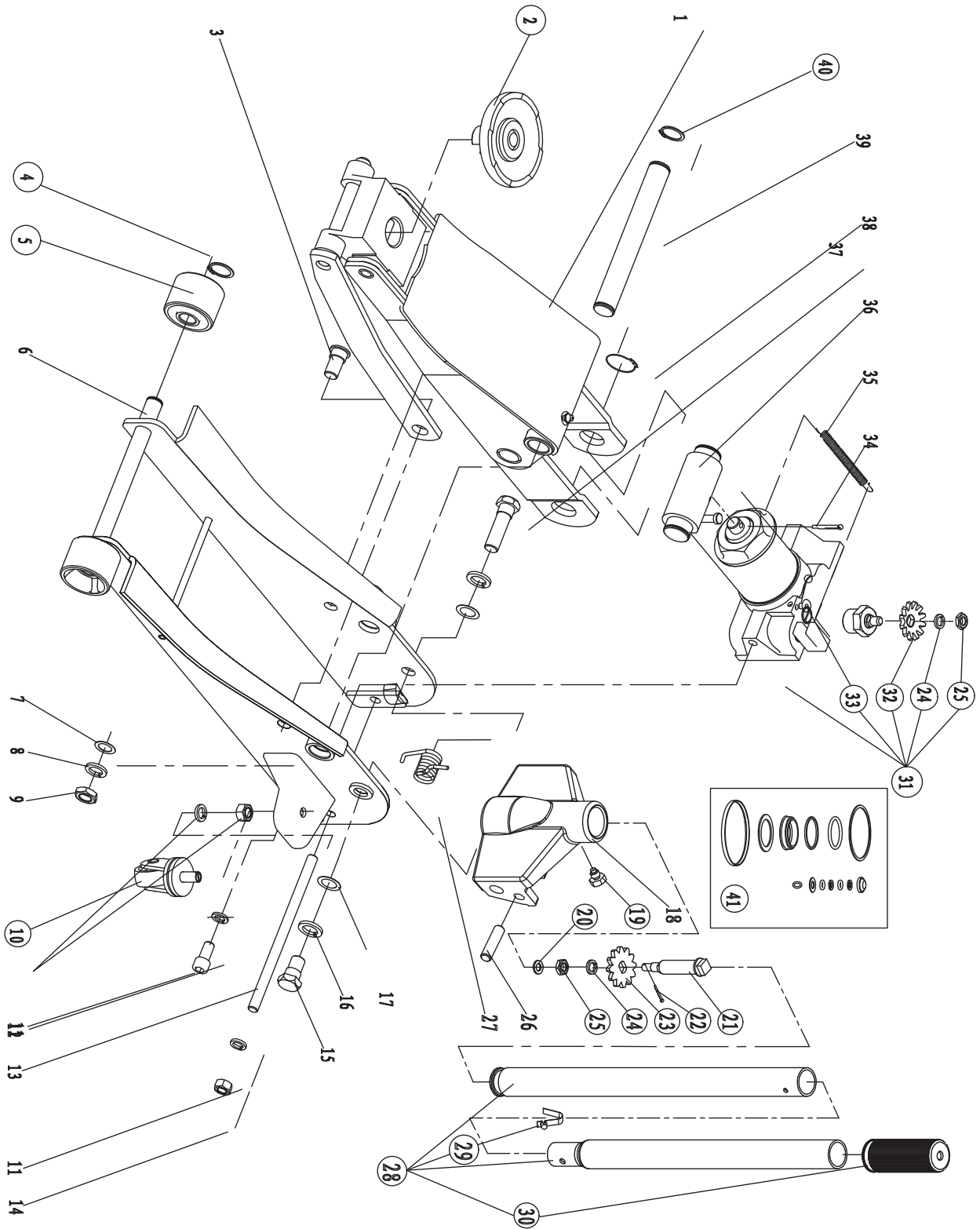
⚠ ADDITIONAL WARNINGS:

- DO NOT USE MOTOR OIL IN THE JACK.
- ONLY USE ANTI-FOAMING JACK OIL.
- ALWAYS USE A GOOD GRADE HYDRAULIC JACK OIL.
- DO NOT USE HYDRAULIC BRAKE FLUID, ALCOHOL, GLYCERINE, DETERGENT, MOTOR OIL OR DIRTY OIL.
- USE OF A NON-RECOMMENDED FLUID CAN CAUSE DAMAGE TO A JACK.
- AVOID MIXING DIFFERENT TYPES OF FLUID AND NEVER USE BRAKE FLUID, TURBINE OIL, TRANSMISSION FLUID, MOTOR OIL OR GLYCERIN. IMPROPER FLUID CAN CAUSE PREMATURE FAILURE OF THE JACK AND THE POTENTIAL FOR SUDDEN AND IMMEDIATE LOSS OF LOAD.
- DISPOSE OF HYDRAULIC FLUID IN ACCORDANCE WITH LOCAL REGULATIONS.

ADDITIONAL LUBRICATION:

1. Periodically check the pump piston and ram for signs of rust or corrosion. As needed thoroughly wipe with a clean non-scratching oil soluble cloth. NEVER USE SANDPAPER OR ABRASIVE MATERIAL ON THESE SURFACES!
2. When not in use, store the jack with pump piston and ram fully retracted.

ASSEMBLY DIAGRAM



REF#	PART#	DESCRIPTION	QTY
1		Lifting arm assembly	1
2	T830018.3	Saddle	1
3		Connecting rod pintle	2
4	GB894.1-18	C-clip Ø18mm	2
5	T830018-1	Front wheel	2
6		Frame assembly	1
7		Washer M16	2
8		Spring washer M16	2
9		Nut M16	2
10	T830021.5(asm)	Rear caster assembly	2
11	GB859-M12	Spring washer M12	4
12		Socket head cap screw M12x25mm	2
13		Back shaft	1
14	GB6170-M12	Nut M12	2
15		Shoulder bolt M18X39mm	1
16		Spring washer M18	2
17		Washer M18	2
18		Handle socket	1
19	QLZ2C-1a	Handle socket screw M10X19mm	1
20	GB848-8	Washer M8	
21	QLZ2C.3-2C	Shaft for spur gear	1
22	GB91-2X16	Cotter pin Ø2X16mm	1
23	QLZ2C.3-3a	Spur gear	1
24	GB859-M16	Spring washer M10	2
25	GB6172-M10	Nut M10	2
26		Pump plunger pin	1
27	QLZ2C-4	Torsion spring	1
28	QLZ2C.2c	Handle assembly	1
29	T83508.5-4	Handle lock pin	1
30	QLZ2C.2-4	Handle cover	1
31	QLZ3.4a	Power unit assembly	1
32	QLZ2C.6-3a	Helical gear	1
33	TF1201C-29	Oil plug	1
34		Cotter pin Ø4X40mm	1
35		Return spring	1
36		Coupling connector	1
37		Right bolt M18X66.5mm	1
38		C-clip Ø30mm	2
39		Supporting shaft	1
40	GB894.1-25	C-clip Ø25mm	2
41	T830021.MF	Seal kit	1

TROUBLESHOOTING

JACK WILL NOT LIFT LOAD	JACK WILL NOT HOLD LOAD	JACK WILL NOT LOWER	POOR JACK LIFTING	WILL NOT LIFT TO FULL EXTENSION	CAUSES AND SOLUTIONS
X	X		X		Release valve is not completely closed (Turn handle clockwise).
X					Weight Capacity Exceeded.
X			X		Air is in the hydraulics. Purge air from system.
X	X		X	X	Low oil level. Add oil as required.
		X			Oil reservoir is overfilled. Drain excessive oil. Lubricate moving parts.
		X			Jack is binding or foreign obstruction
X	X		X		Power unit malfunctioning. Replace the power unit.

Safe Operating Temperature is between 40°F – 105°F (4°C - 41°C)

WARRANTY NOTICE

This service jack is covered under a 1-year limited warranty when used as recommended. Only those items listed with a Part # are available for purchase. For assistance with the operation or the availability of replacement parts, contact our Parts and Warranty Department at 1-888-44-TORIN (1-888-448-6746). Please have available a copy of your receipt, the model number of the product, serial number, and specific details regarding your question.

Not all equipment components are available for replacement; illustrations provided are a convenient reference of location and position in the assembly sequence.

The manufacturer reserves the rights to make design changes and or improvements to product lines and manuals without notice.

WARRANTY INFORMATION

We want to know If you have any concerns with our products. If so, please call toll-free for Immediate assistance. For additional web customer support help inquiries visit the Customer Service section at: <http://www.torin-usa.com>.

TORIN ONE YEAR LIMITED WARRANTY

Torin Inc.® has been producing quality automotive repair and maintenance products since 1968. All products sold are felt to be of the highest quality and are covered by the following warranty:

With proof of purchase for a period of one year from the date of that purchase, the manufacturer will repair or replace, at its discretion, without charge, any of its products or parts thereof which fail due to a defect in material or workmanship. This warranty does not cover damage or defects caused by improper use, careless use or abuse of the equipment. This warranty does not cover parts normally considered to wear out or be consumed in the normal operation of the equipment. Except where such limitations and exclusions are specifically prohibited by applicable law, (1) the CONSUMERS SOLE AND EXCLUSIVE REMEDY SHALL BE THE REPAIR OR REPLACEMENT OF DEFECTIVE PRODUCTS AS DESCRIBED

ABOVE, and (2) THE MANUFACTURER SHALL NOT BE LIABLE FOR ANY CONSEQUENTIAL OR INCIDENTAL DAMAGE OR LOSS WHATSOEVER, and (3) THE DURATION OF ANY AND ALL EXPRESSED AND IMPLIED WARRANTIES, INCLUDING, WITHOUT LIMITATION, ANY WARRANTIES OF MERCHANTABILITY AND FITNESS FOR A PARTICULAR PURPOSE, IS LIMITED TO A PERIOD OF ONE YEAR FROM DATE OF PURCHASE. Product alteration in any manner by anyone other than us, with the sole exception of alterations made pursuant to product instructions and in a workman like manner. You acknowledge and agree that any use of the product for any purpose other than the specified use(s) stated in the product instructions is at Your own risk.

Always check for damaged or worn out parts before using any product. Broken parts will affect the equipment operation. Replace or repair damaged or worn parts immediately. Do not modify the product in any way. Unauthorized modification may impair the function and/or safety and could affect the life of the equipment. There are specific applications for which products are designed and tested during production. Manufacturer provided warranted items are not authorized to be repaired by anyone other than the manufacturer or manufacture approved repair person. Distributor does not have authorization to amend these statements. You acknowledge and agree that any modification of the product for any purpose other than manufacturer completed repairs is at your own risk. Before using this product, read the owner's manual completely and familiarize yourself thoroughly with the product and the hazards associated with its improper use. IMPORTANT: BEFORE FIRST USE on any Lift verify that a daily inspection has been completed and that all components are in the proper working order.

This limited warranty gives you specific legal rights, and you also may have other rights, which vary from state to state. Some states do not allow limitations or exclusions on implied warranties or incidental or consequential damages, so the above limitations may not apply to You. This limited warranty is governed by the laws of the State of California, without regard to rules pertaining to conflicts of law. The state courts located in San Bernardino County, California shall have exclusive jurisdiction for any disputes relating to this warranty.

Manufacturer reserves the rights to make design changes and or improvements to this product lines and manual without notice. We at Torin have taken every effort to ensure complete and accurate instructions have been included in this manual. However, possible product updates, revisions and or changes may have occurred since this printing. Torin Inc. reserves the right to change specifications without incurring any obligation for equipment previously or subsequently sold. Not responsible for typographical errors.

Alternately Customer Service can be reached through www.torin-usa.com or via email at info@torin-usa.com.

Not all equipment components are available for replacement, but are illustrated as a convenient reference of location and position in the assembly sequence. Contact Customer Service for equivalent component. When you contact us, please have your Product's Model number, Serial Number and Description ready so that we may help you efficiently. This information can be found on a sticker on the product.

For any warranty support or if your Torin® equipment is not functioning properly contact Torin® Customer Service directly by telephone at 1-888-44-TORIN (1-888-448-6746) 8:00am – 5:00pm Pacific Time, Monday – Friday

www.torin-usa.com

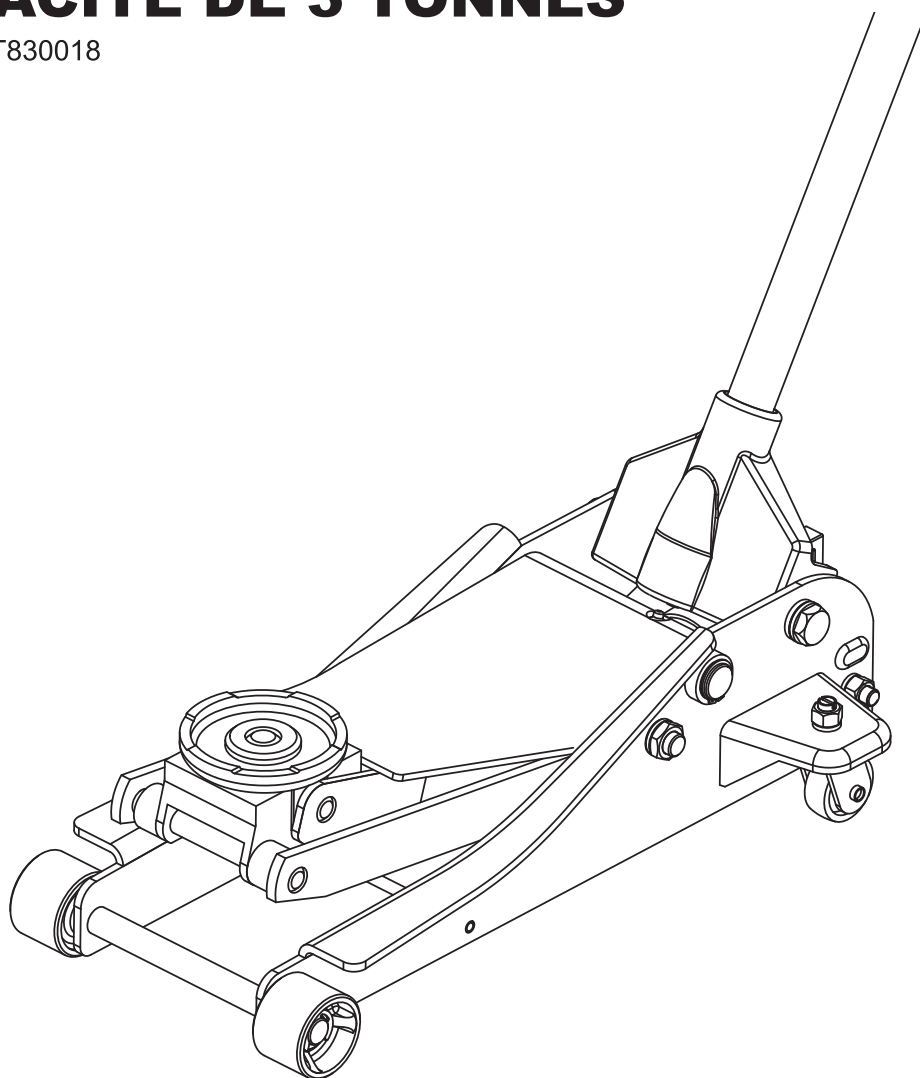
Made in China



MANUEL DU PROPRIÉTAIRE

CRIC À PROFIL BAS AVEC UNE CAPACITÉ DE 3 TONNES

Article No. T830018



▲ AVERTISSEMENT!

Questions, problèmes, pièces manquantes? Avant de retourner voir votre fournisseur, appelez notre service à la clientèle au 1-888-44-TORIN (1-888-448-6746) entre 8 heures et 17 heures, HNP, du lundi au vendredi.

Lisez attentivement et comprenez toutes les DIRECTIVES DE MONTAGE ET DE FONCTIONNEMENT avant l'utilisation. Vous pouvez subir des blessures graves si vous ne vous conformez pas à ces règles et autres précautions de sécurité.

IMPORTANT

Avant de commencer, enregistrez ce produit.

Pour référence future, enregistrez le nom de modèle, le numéro, la date de fabrication et la date d'achat du produit. Vous pouvez trouver ces renseignements sur le produit.

Nom de modèle _____

Numéro de modèle _____

Date de fabrication _____

Date d'achat _____

RESPONSABILITÉ DU PROPRIÉTAIRE OU DE L'UTILISATEUR

NE PAS UTILISER OU RÉPARER CE PRODUIT SANS AVOIR LU LE PRÉSENT MANUEL.

Lisez et suivez les directives de sécurité. Conservez ces directives à la disponibilité des opérateurs. Assurez-vous que tous les opérateurs sont bien formés et savent comment utiliser le produit correctement et en toute sécurité. En continuant, vous convenez que vous comprenez complètement le contenu du présent manuel. Le produit peut causer des blessures ou provoquer la mort si vous n'utilisez pas le produit dans le but pour lequel il a été conçu. Le fabricant n'est pas responsable des dommages ou blessures provoqués par une utilisation inappropriée ou par négligence. Ne faites fonctionner le produit que si toutes les pièces sont en place et fonctionnent de manière sécuritaire. N'utilisez que des pièces de rechange authentiques. Effectuez l'entretien de ce produit uniquement avec des pièces de rechange autorisées ou approuvées; la négligence rendra l'utilisation du produit dangereuse et annulera la garantie. Inspectez régulièrement et avec soin le produit et effectuez tout l'entretien nécessaire. Conservez ces directives dans un endroit protégé sec. Conservez propres et visibles tous les autocollants sur le produit. Ne modifiez pas ou n'utilisez pas le produit pour une application autre que celle pour laquelle il a été conçu. Pour toute question relative à une application particulière, N'utilisez PAS le produit avant d'avoir communiqué avec le distributeur ou le fabricant afin de déterminer si cela peut se faire.

Pour toutes questions d'ordre technique, appelez au 1-888-44-TORIN (1-888-448-6746).

UTILISATION PRÉVUE

Ce cric pour poids lourd possède une pompe hydraulique à piston unique qui soulève sans effort le bras de levage. Les pare-poussière et les joints racleur du piston de la pompe protègent le circuit hydraulique des contaminants. Le cric comporte un circuit de dérivation par soupape de surcharge afin d'éviter d'endommager le cric et de causer des blessures à l'utilisateur. Son encombrement réduit permet son utilisation dans des espaces clos. Il se place facilement sous des véhicules surbaissés. Le cric est conforme aux normes de sécurité ASME PASE.

SPÉCIFICATIONS TECHNIQUES

Article No.	Capacité	Amplitude de levage Min. (Pouce)	Amplitude de levage Max. (Pouce)	Amplitude de levage Min. (cm)	Amplitude de levage Max. (cm)
T830018	3 TONNES	3-3/8	17-15/16	8,5	45,5

CONSIGNES GÉNÉRALES DE SÉCURITÉ

- ⚠ **AVERTISSEMENT** : Lisez et comprenez toutes les directives. Il peut se produire des blessures graves si vous ne suivez pas toutes les directives ci-dessous.
- ⚠ **MISE EN GARDE** : Ne permettez à personne d'utiliser ou d'assembler ce cric avant d'avoir lu le manuel et d'avoir bien compris le fonctionnement du cric.
- ⚠ **AVERTISSEMENT** : **Les avertissements, mises en garde et directives mentionnés dans le présent manuel d'instruction ne peuvent pas couvrir toutes les conditions ou situations qui peuvent se produire.** L'opérateur doit comprendre que le simple bon sens et la prudence sont des facteurs qui ne peuvent pas se trouver dans ce produit, mais que l'opérateur doit y suppléer.

CONSIGNES GÉNÉRALES DE SÉCURITÉ FACTEURS DE SÉCURITÉ IMPORTANTS

INSPECTION

- Inspectez avec soin le cric avant chaque utilisation. Assurez-vous que le cric n'est pas endommagé, trop usé ou que des pièces y manquent.
- N'utilisez pas le cric à moins qu'il ne soit suffisamment lubrifié.
- L'emploi d'un cric qui n'est pas en bon état et bien lubrifié peut provoquer des blessures graves.
- Inspectez l'aire de travail avant chaque utilisation. Assurez-vous qu'elle est libre de tous dangers potentiels.

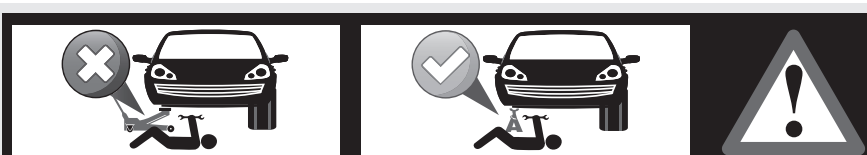
NE PAS UTILISER OU RÉPARER CE PRODUIT SANS AVOIR LU LE PRÉSENT MANUEL.

Le propriétaire est responsable de lire et de se conformer à ces instructions pour l'entretien du cric de service et le maintien de la sécurité de l'utilisateur.

- Inspectez le cric de service pour vérifier s'il fonctionne bien.
- Gardez ces instructions à la disponibilité des opérateurs d'équipement.
- Assurez-vous que tous les opérateurs d'équipement sont bien formés, qu'ils savent bien faire fonctionner l'appareil en toute sécurité.
- Ne permettez l'utilisation de l'unité que si toutes les pièces sont en place et fonctionnent bien.
- Utilisez uniquement des pièces de rechange d'origine.
- N'effectuez l'entretien et la maintenance de l'appareil qu'à l'aide de pièces de rechange autorisées ou approuvées; la négligence rendra le cric dangereux et annulera la garantie.
- Inspectez l'appareil avec soin sur une base régulière et effectuez tout entretien nécessaire.
- Conservez les présentes instructions dans la poignée du cric.
- Toutes les étiquettes doivent être propres et visibles.

SÉCURITÉ

Conformez-vous toujours aux précautions de sécurité lors de l'installation et du fonctionnement de ce cric. Gardez toutes les étiquettes propres et visibles. Avant l'utilisation, assurez-vous que vous comprenez tout le contenu du présent manuel. Si vous ne faites pas fonctionner cet équipement de la façon selon les instructions, cela peut provoquer des blessures et même la mort. Le distributeur n'est pas responsable des dommages ou blessures causés par l'utilisation inappropriée ou la négligence.



CE DISPOSITIF SERT UNIQUEMENT AU LEVAGE!

- Ce cric est conçu uniquement pour le levage d'une partie du véhicule.
- Ne déplacez pas le véhicule ou ne le tirez pas sur chariot pendant qu'il est supporté sur cric.
- Le véhicule doit être supporté immédiatement après le levage à l'aide de chandelles de capacité suffisante.
- NE JAMAIS aller sous un véhicule qui n'est pas supporté par des chandelles de levage de capacité suffisante.
- Avant d'utiliser des chandelles de levage, placez des cales de roues ou un dispositif de blocage sur les roues opposées.

⚠ AVERTISSEMENT!

Utilisez toujours des chandelles de levage!

N'UTILISEZ PAS de blocs de bois ou tous autres dispositifs de support de charge non approuvés. Le fabricant garantit uniquement les charges supportées par les chandelles qui sont conformes aux normes ASME actuelles.

N'UTILISEZ PAS de blocs de bois ou tous autres dispositifs de levage non approuvés comme moyen de levage à l'aide du cric ou de la charge à lever. Il peut en résulter des blessures ou la mort si vous ne suivez pas ces avertissements.

MARQUAGES DE SÉCURITÉ

⚠ AVERTISSEMENT!

1. Étudiez, comprenez et suivez toutes les consignes avant d'utiliser cet appareil.
2. N'en dépassez pas la capacité nominale.
3. Utilisez uniquement sur surfaces dures et de niveau comportant une pente d'au plus 3 degrés.
4. Appareil de levage seulement. Supportez le véhicule de façon appropriée immédiatement après le levage.
5. Ne déplacez pas le véhicule ou ne le tirez pas sur chariot pendant qu'il est supporté sur cric.
6. Soulevez un véhicule en ces seuls points spécifiés par le constructeur du véhicule.
7. Aucune modifications ne doivent être apportées à ce produit.
8. Seules les fixations ou adaptateurs fournis par le fabricant seront utilisés.
9. Ne vous placez pas et ne laissez personne se placer sous le véhicule jusqu'à ce qu'il soit supporté par des chandelles de levage.
10. Centrez la charge sur la sellette avant le levage.
11. Avant d'utiliser des chandelles de levage, placez des cales de roues ou un dispositif de blocage sur les roues opposées.
12. N'utilisez jamais de chandelles pour une tondeuse ou un tracteur de jardin.
13. N'utilisez pas ce cric pour une utilisation autre que celle spécifiée par le fabricant.
14. Ne faites pas balancer le véhicule pendant que des travaux sont en train d'être effectués sur ou autour de l'équipement.
15. Il n'est pas recommandé de supporter l'équipement sur les suivants: fondations, maisons, maisons mobiles, caravanes, VR, camping-cars, semi-caravanes, etc
16. Il peut en résulter des blessures ou des dommages si vous ne suivez pas ces consignes.

CONSIGNES GÉNÉRALES DE SÉCURITÉ

Positionner le cric

Positionnez le cric pour ne soulever que ces parties du véhicules qui sont spécifiées par le constructeur du véhicule.

Toujours utiliser des chandelles de levage

Après avoir soulevé le véhicule, supportez toujours la charge à l'aide de chandelles de levage de capacité suffisante avant de travailler sur le véhicule.

Ne pas surcharger le cric

Ne surchargez pas le cric au-delà de sa capacité nominale. La surcharge du cric au-delà de sa capacité nominale peut provoquer des dommages ou une défaillance du cric.

Utiliser toujours sur des surfaces dures et de niveau

Ce cric est conçu uniquement pour utilisation sur des surfaces dures et de niveau capables de supporter la charge. L'utilisation sur des surfaces instables ou autres peut provoquer la perte de la charge.

Calage et blocage (stabiliser)

Appliquez le frein de stationnement du véhicule avant d'utiliser le cric.

Une cale est un coin destiné à stabiliser un objet et à le garder en place ou pour empêcher le déplacement d'une roue. Calez la roue opposée à la partie soulevée.

Lorsque vous bloquez une charge, vous fixez et supportez une charge qui est soulevée. Les blocs ou stabilisateurs devraient avoir une capacité pondérale supérieure au poids de la charge soulevée.

Centrer la charge sur la sellette du cric

Centrez la charge sur la sellette du cric avant de lever le véhicule.

Les charges décentrées ou les charges soulevées lorsque le cric n'est pas de niveau peuvent provoquer une perte de la charge ou endommager le cric.

Ne soulevez pas ou n'abaissez pas le véhicule à moins que les outils, les matériaux et les personnes soient dégagés.

Lorsque le cric est abaissé, assurez-vous que toutes les personnes soient éloignées d'au moins six pieds.

Assurez-vous qu'il n'y a pas d'outils ou d'équipement laissé sous ou autour du cric avant d'abaisser le véhicule.

Abaissez toujours le cric lentement.

N'UTILISEZ PAS LE CRIC POUR SUPPORTER OU STABILISER UNE CHARGE.

L'utilisation du cric pour supporter ou stabiliser une charge peut provoquer un déplacement inattendu et provoquer des blessures graves, un écrasement et la mort. Calez ou bloquez (stabilisez) toujours de manière sécuritaire la charge à soulever. Ne placez jamais une partie du corps sous une charge soulevée sans avoir calé et supporté adéquatement la charge.

N'utilisez pas ce cric sur des pare-chocs incurvés ou tubulaires de véhicule.

Cela peut provoquer un glissement du véhicule hors du cric et le faire tomber, provoquant ainsi des blessures ou la mort. Utilisez des appareils de levage pour pare-chocs pour soulever les véhicules munis de pare-chocs incurvés ou en plastique.

Portez des lunettes de sécurité homologuées ANSI ainsi que des gants de travail résistants lors de l'utilisation du cric.

Ne réglez pas la soupape de sécurité.

Ne déplacez pas le véhicule ou ne le tirez pas sur chariot pendant que le cric est utilisé.

Soyez vigilant. Soyez prudent et utilisez votre bon sens lorsque vous utilisez le cric. N'utilisez pas le cric lorsque vous êtes fatigué, incohérent, étourdi ou sous l'influence de drogues ou d'alcool.

Formation

Lisez le présent manuel avant d'utiliser le cric. Ne permettez à personne d'utiliser le cric si elle n'a pas lu le manuel ou n'en comprend pas les exigences.

Spectateurs

Ne permettez pas aux spectateurs de se tenir autour du cric ou sous la charge supportée uniquement par le cric. Écartez tous les spectateurs du véhicule lorsque le cric est utilisé.

Inspection

Inspectez avec soin le cric avant chaque utilisation. L'emploi d'un cric qui n'est pas en bon état et bien lubrifié peut provoquer des blessures graves. -N'utilisez pas le cric à moins qu'il ne soit suffisamment lubrifié.

-L'emploi d'un cric qui n'est pas en bon état et bien lubrifié peut provoquer des blessures graves.

Remarques supplémentaires :

Conservez le reçu, la garantie et les présentes instructions.

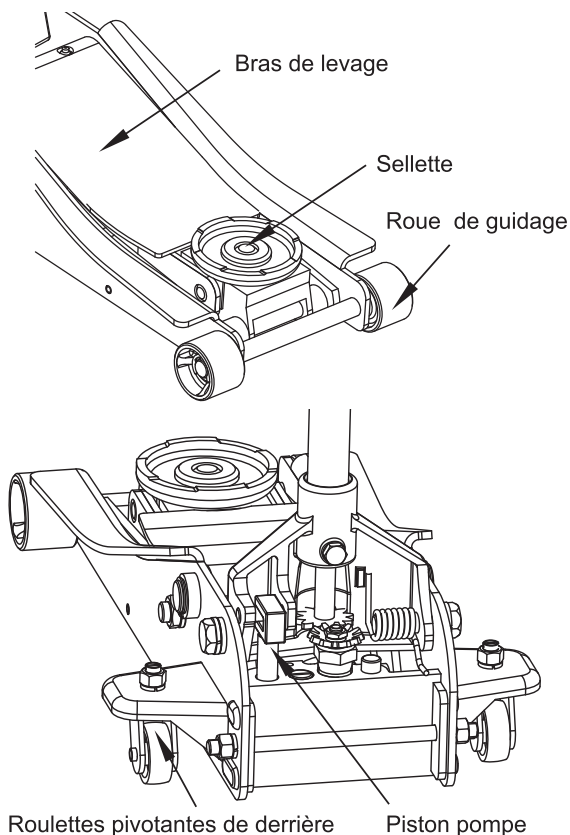
Ne modifiez d'aucune façon le cric. Une modification non autorisée peut nuire au fonctionnement ou à la sécurité et peut influencer sur la durée de vie de l'équipement. Le cric a été conçu pour des applications précises.

Avant d'utiliser le cric, vérifiez toujours s'il y a des pièces endommagées ou usées. Des pièces brisées influenceront sur le fonctionnement de l'équipement. Remplacez et réparez immédiatement les pièces endommagées ou usées.

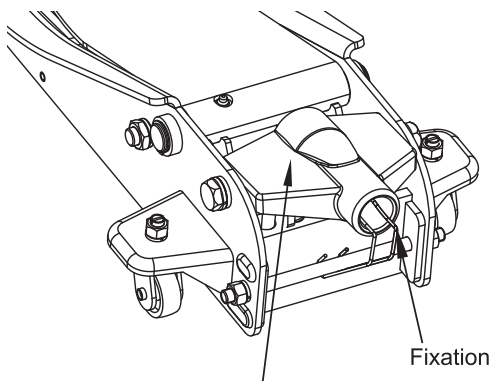
Lorsque le cric n'est pas utilisé, rangez-le dans un endroit sûr, hors de portée des enfants. Vérifiez-en l'état avant l'entreposage et une nouvelle utilisation.

MONTAGE

1. Familiarisez-vous avec le cric.



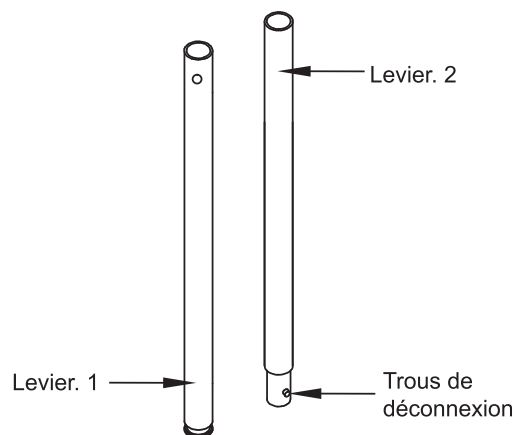
2. Avant de réaliser l'assemblage, retirez soigneusement le clip de rétention se trouvant dans le logement du levier. ATTENTION: Le logement pourrait rebondir lors de l'extraction du clip. Afin d'éviter de futures lésions, placez l'une de vos mains sur le logement et contrôlez ainsi le mouvement ascendant du clip de rétention du logement du levier et puis, retirez-le soigneusement. Une fois qu'il soit retiré, laissez le logement monter jusqu'à la position de repos.



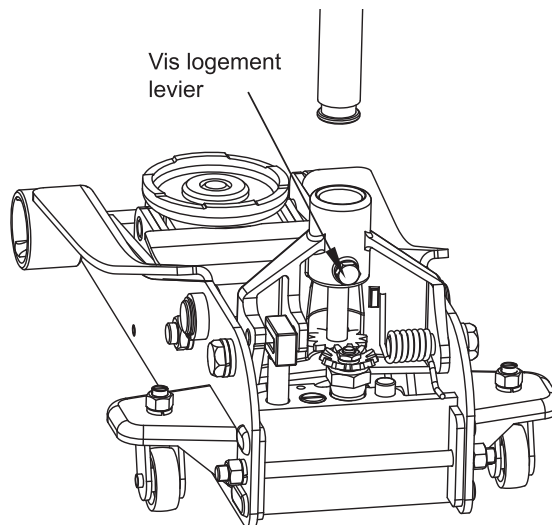
⚠ AVERTISSEMENT!

Une fois que la fixation a été enlevée, laissez la douille de la poignée retourner DOUCEMENT à la position de repos. Faites preuve de PRUDENCE lorsque vous enlevez la fixation; la douille de la poignée sautera rapidement en avant.

3. Regardez l'image 2 lors de la réalisation de cette opération. Activer la déconnexion rapide sur la pièce 2 du levier, cela vous permettra de connecter les pièces glissantes 1 et 2 du levier; alignez les trous sur les deux sections afin d'activer la déconnexion rapide. La déconnexion aura lieu automatiquement une fois que les trous soient à la bonne position.



4. Dévissez la vis se trouvant dans le logement du levier afin d'insérer celui-ci, déjà assemblé.



5. Alignez le trou carré placé à la base du levier sur le boulon carré à l'intérieur du logement du levier. (VOIR IMAGE PAS 6).

6. Serrez la vis du logement du levier pour assurer le levier, une fois finies les opérations, sans véhicules sur l'appareil. Faites monter et descendre le bras de levage, plusieurs fois afin de vous assurer le bon fonctionnement du système hydraulique de l'appareil. Purger votre appareil avant de la première utilisation.

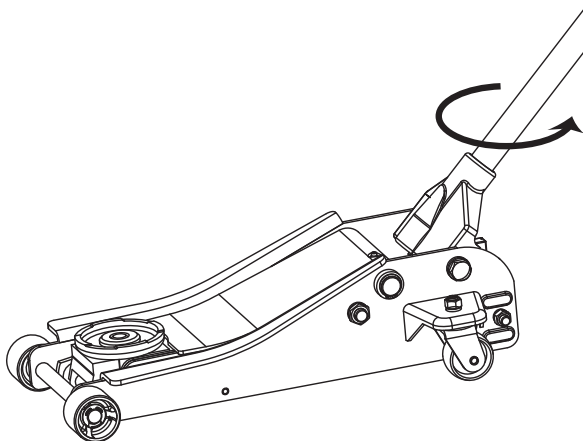
⚠ **AVERTISSEMENT:** Ne soulevez pas ou ne transportez pas le cric par le levier. Le levier pourrait se détacher et le cric tomber, causant ainsi des blessures ou des dommages.

PROCÉDURE DE PURGE D'AIR DU CIRCUIT

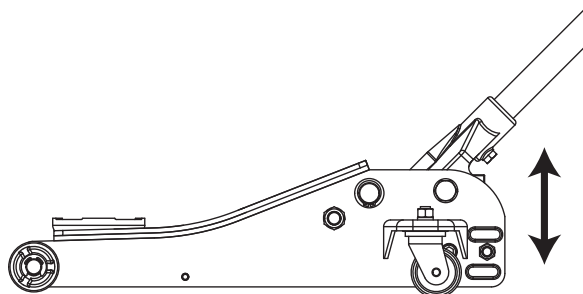
IMPORTANT : AVANT LA PREMIÈRE UTILISATION

Effectuez la procédure suivante de purge d'air pour enlever l'air qui aurait pu s'introduire dans le circuit hydraulique à la suite de l'expédition et de la manutention. Cette étape s'effectue sans charge reposant sur le cric.

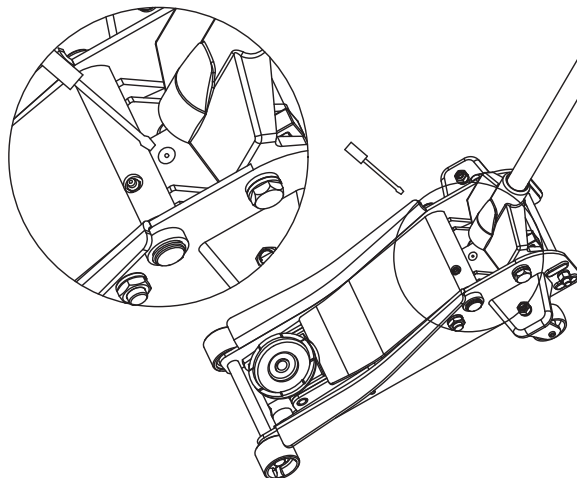
1. Tournez la soupape de sécurité en sens antihoraire d'un tour complet en position ouverte.



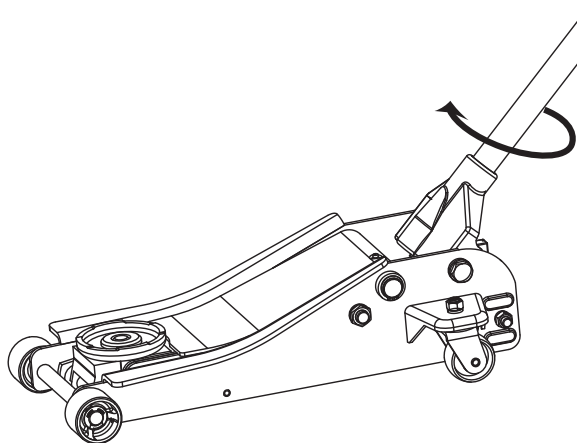
2. Pompez rapidement le levier de 6 à 8 fois. Laissez le levier en position basse pour exposer le bouchon de remplissage d'huile.



3. À l'aide d'un tournevis plat, dévissez légèrement le bouchon de remplissage d'huile afin de purger l'air du circuit. (Dans le cas des BOUCHONS D'HUILE EN CAOUTCHOUC, soyez prudent pour ne pas déchirer ou percer le bouchon d'huile.)



4. Tournez la soupape de sécurité en sens horaire en position fermée.



5. Le cric est maintenant prêt à être utilisé. Vérifiez le fonctionnement de la pompe. (Répétez au besoin ces étapes.)

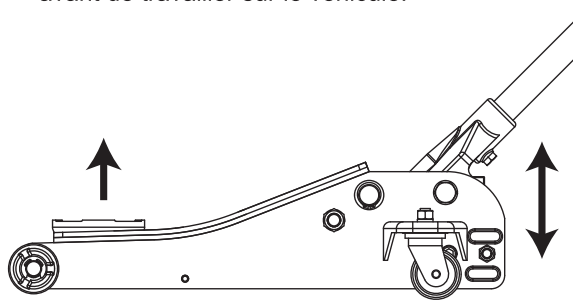
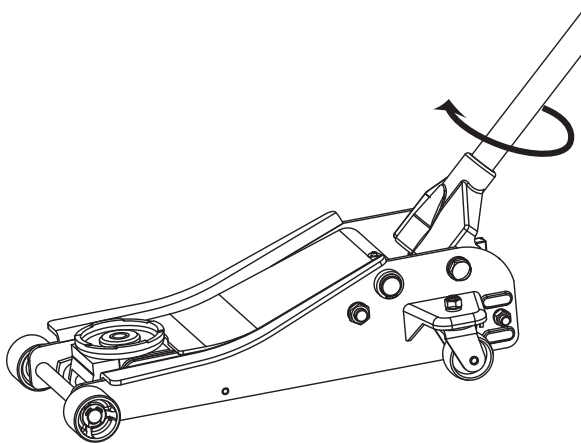
AVANT L'UTILISATION

1. Avant d'utiliser ce produit, lisez entièrement le manuel du propriétaire et familiarisez-vous complètement avec le produit et les dangers qui se rapportent à son utilisation inappropriée.
2. Effectuez la procédure de purge. (Consultez la Procédure de purge du circuit.)
3. Vérifiez le bon fonctionnement de la pompe avant de mettre le cric en service.
4. Inspectez le cric avant chaque utilisation. Ne l'utilisez pas s'il y a des composants, pliés, brisés ou fissurés.

OPÉRATION

LEVAGE DU CRIC

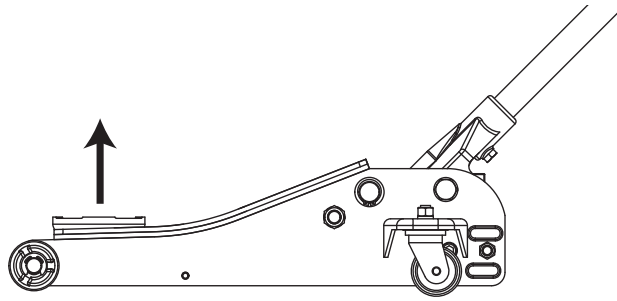
1. Bloquez les roues du véhicule pour assurer la stabilité du levage. Fixez la charge pour en empêcher le déplacement intempestif.
2. Positionnez le cric près du point de levage souhaité.
3. Appliquez le frein de stationnement dans le véhicule.
4. Consultez le manuel du propriétaire publié par le constructeur du véhicule pour localiser les points de levage approuvés. Positionnez le cric pour que la sellette soit centrée et entre en contact fermement avec le point de levage de la charge.
5. Assemblez le levier en vous assurant d'aligner les fentes.
6. Fermez la soupape de sécurité en la tournant en sens horaire jusqu'à ce qu'elle soit bien fermée.
7. Avant de soulever le véhicule, revérifiez la sellette pour qu'elle soit bien en contact avec le point de levage.
8. Pompez le levier pour effectuer le levage jusqu'à ce que la sellette entre en contact avec la charge. Continuez de pomper le levier pour soulever le véhicule à la hauteur voulue. Après avoir effectué le levage, supportez toujours la charge à l'aide de chandelles de levage de capacité suffisante avant de travailler sur le véhicule.



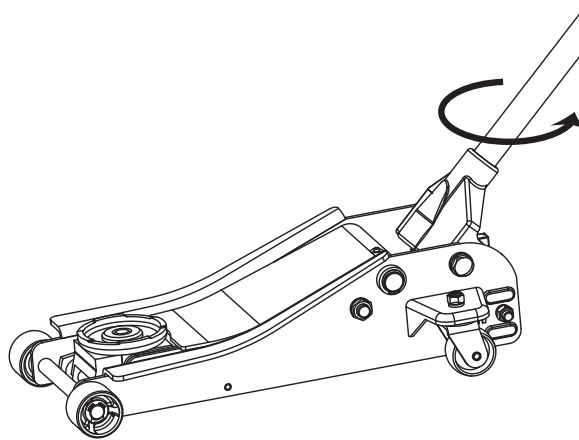
▲ MISE EN GARDE : NE JAMAIS CÂBLER, RETENIR OU AUTREMENT METTRE HORS D'ÉTAT LE ROBINET DE COMMANDE DE LEVAGE POUR QU'IL FONCTIONNE D'AUTRES MANIÈRES QU'À L'AIDE DE LA MAIN DE L'OPÉRATEUR. UTILISER LE LEVIER FOURNI AVEC CE PRODUIT OU UN LEVIER DE RECHANGE AUTORISÉ AFIN D'ASSURER LE BON FONCTIONNEMENT DE LA SOUPE DE SÉCURITÉ. NE PAS UTILISER DE RALLONGES SUR LE LEVIER.

ABAISSMENT DU CRIC

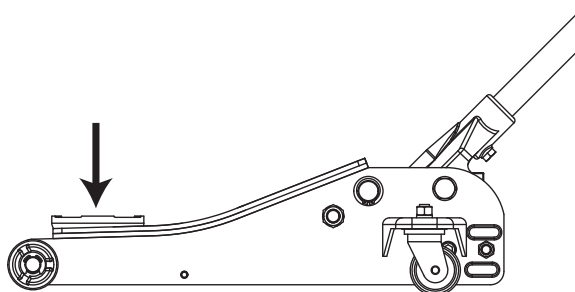
1. Soulevez la charge assez haut pour permettre de dégager les chandelles et les retirer, puis enlevez avec précaution les chandelles de levage.



2. Retirez les chandelles de levage.
3. Saisissez le levier fermement à l'aide des deux mains. Tenez fermement le levier du cric afin que vos mains ne glissent pas et assurez-vous que la soupape de sécurité ne s'abaisse pas rapidement.
4. Ouvrez prudemment la soupape de sécurité en tournant lentement le levier en sens antihoraire. Ne permettez pas aux spectateurs de se tenir autour du cric ou sous la charge lorsque vous abaissez le cric.



5. Lorsque vous n'utilisez pas le cric, le bras de levage doit se trouver dans la position la plus basse, afin de protéger l'appareil de la rouille et de la pollution.



⚠ AVERTISSEMENT : SOYEZ TRÈS PRUDENT LORSQUE VOUS ABaissez LE CRIC. LE LEVIER DU CRIC PEUT TOURNER TRÈS RAPIDEMENT. L'OUVERTURE TROP RAPIDE DE LA SOUPAPE DE SÉCURITÉ PEUT FAIRE BAISSER LE CRIC RAPIDEMENT. IL PEUT EN RÉsulTER DES BLESSURES GRAVES OU LA MORT SI VOUS NE SUIVEZ PAS CES AVERTISSEMENTS.

INSTRUCTIONS D'ENTRETIEN

Si vous utilisez et effectuez bien l'entretien de votre équipement, il vous rendra service pendant de nombreuses années. Suivez attentivement les directives d'entretien pour conserver votre équipement en bon état de fonctionnement. N'effectuez jamais d'entretien sur l'équipement pendant qu'il est sous charge.

Inspection

Vous devez inspecter le produit pour tout dommage, usure, pièces brisées ou manquantes (par ex. les goupilles) et vérifier que tous les composants fonctionnent avant chaque utilisation. Suivez les directives de lubrification et de rangement pour obtenir une performance optimale.

Grippage

Si le produit gripe lorsqu'il est sous charge, utilisez un équipement possédant une charge nominale égale ou supérieure pour abaisser sans danger la charge au sol. Après le dégrillage, nettoyez, lubrifiez et faites l'essai de l'équipement pour voir s'il fonctionne bien. Les composants rouillés, la saleté ou des pièces usées peuvent provoquer le grippage. Nettoyez et lubrifiez l'équipement selon les directives de la section de lubrification. Faites l'essai de l'équipement en soulevant sans charge. Si le grippage continue, communiquez avec le Service à la clientèle.

Nettoyage

Si les pièces mobiles de l'équipement sont colmatées, utilisez un solvant de nettoyage ou un autre bon agent de dégraissage pour nettoyer l'équipement. Enlevez la rouille existante à l'aide d'une huile pénétrante.

GRAISSAGE

Cet équipement ne fonctionne pas sans une lubrification appropriée. L'utilisation de l'équipement sans lubrification appropriée offre une performance réduite et cause des dommages à l'équipement. Certaines pièces d'équipement ne sont pas autolubrifiées; inspectez donc l'équipement avant de l'utiliser et lubrifiez-le au besoin. Après un nettoyage, lubrifiez l'équipement à l'aide d'une huile pénétrante légère ou d'une vaporisation d'huile.

- Utilisez un bon lubrifiant sur toutes les pièces mobiles.
- Dans le cas d'un usage léger, il faut lubrifier une fois par mois.
- Dans le cas d'un usage constant et intense, il est recommandé de lubrifier toutes les semaines.
- N'UTILISEZ JAMAIS DE PAIER VERRE OU DE MATÉRIAU ABRASIF SUR CES SURFACES!

Prévention de la rouille :

Vérifiez tous les jours les poussoirs et les pistons de pompe sur le mécanisme de levage pour y découvrir tout signe de rouille ou de corrosion.

Sans charge, soulevez l'équipement aussi haut que possible et examinez le dessous et l'arrière des points de levage. S'il y a des signes de rouille, nettoyez au besoin.

Graisseurs

Certains modèles possèdent des graisseurs qui doivent être graissés et lubrifiés régulièrement.

Fonctionnement du cric

Lorsque la soupape de sécurité est fermée, une course vers le haut du levier du cric amène de l'huile du réservoir dans la cavité du piston. La pression hydraulique maintient la soupape fermée, ce qui conserve l'huile dans la cavité du piston. Une course vers le bas du levier libère l'huile dans le vérin, ce qui force le poussoir vers l'extérieur. Cette action soulève la sellette. Lorsque le poussoir atteint sa hauteur maximale, l'huile est retournée au réservoir pour empêcher une course du poussoir dépassant les limites et des dommages possibles au cric. L'ouverture de la soupape de sécurité permet à l'huile de retourner au réservoir. Ceci libère la pression hydraulique sur le poussoir, ce qui a pour effet d'abaisser la sellette.

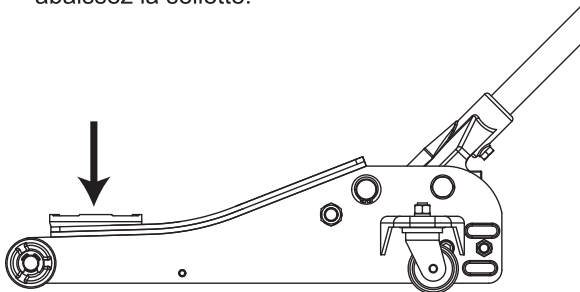
Rangement du cric

1. Abaissez le bras de levage.
2. Placez le levier en position verticale.
3. Rangez dans un endroit sec. On recommande à l'intérieur.

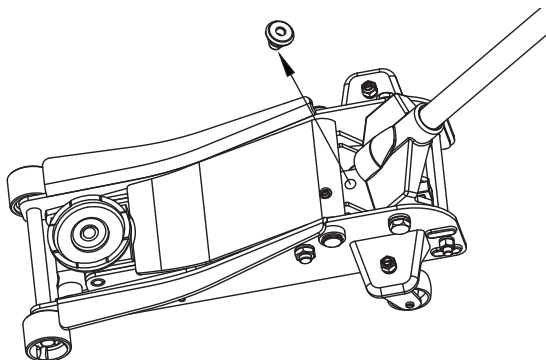
Remarque : Si le cric est laissé à l'extérieur, assurez-vous de lubrifier toutes les pièces avant et après utilisation pour vous assurer qu'il demeure en bon état. Rangez toujours le cric en position complètement rétractée lors de son rangement à l'extérieur ou dans des environnements caustiques qui peuvent provoquer la corrosion ou la rouille.

AJOUT D'HUILE AU CRIC

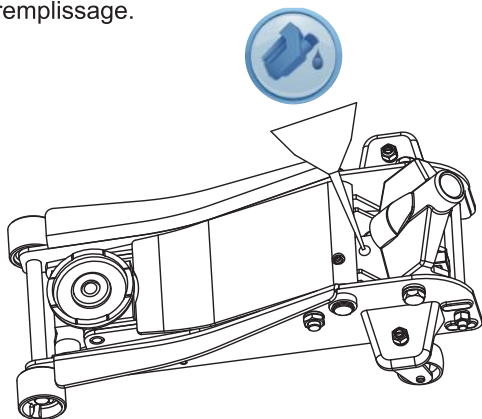
1. Positionnez le cric sur un sol de niveau et abaissez la sellette.



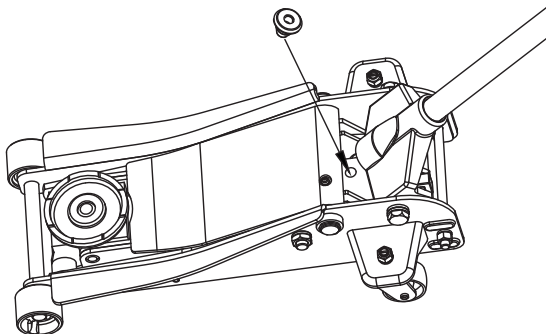
2. Retirez le bouchon d'huile.



3. Remplissez le réservoir d'huile jusqu'à ce que le niveau se situe sous le rebord inférieur du trou de remplissage.



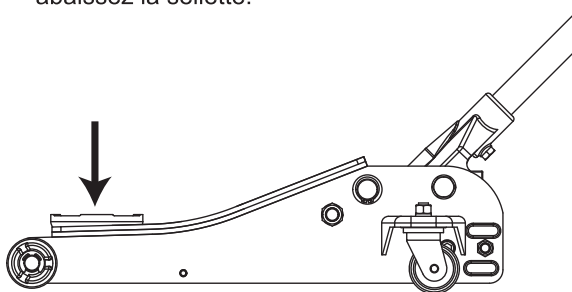
4. Remettez le bouchon d'huile en place.



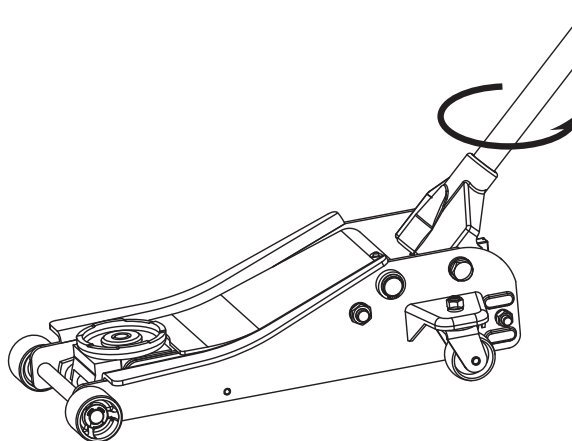
5. Effectuez le procédé de purge d'air.

VIDANGE D'HUILE DU CRIC

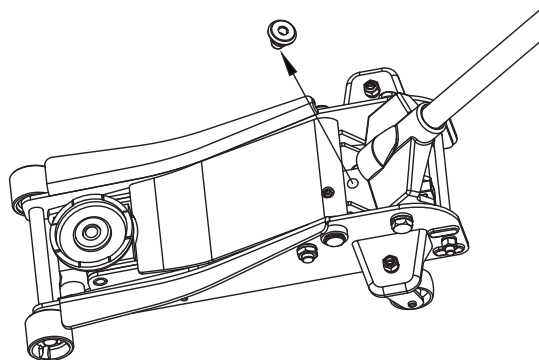
1. Positionnez le cric sur un sol de niveau et abaissez la sellette.



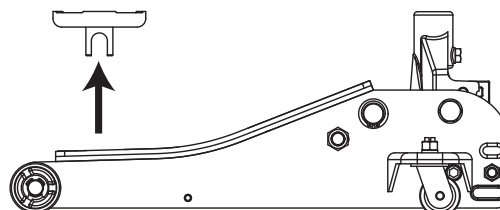
2. Ouvrez la soupape de sécurité en tournant le levier en sens antihoraire.



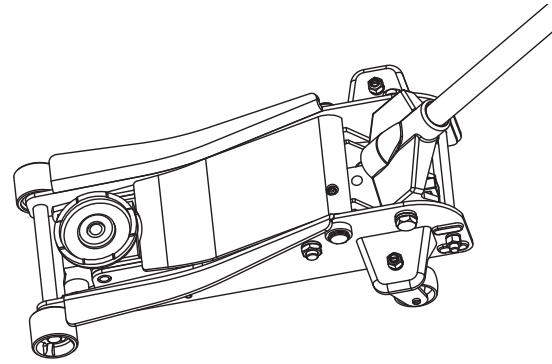
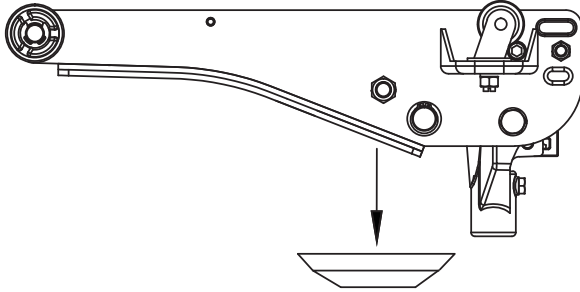
3. Retirez le bouchon de remplissage d'huile.



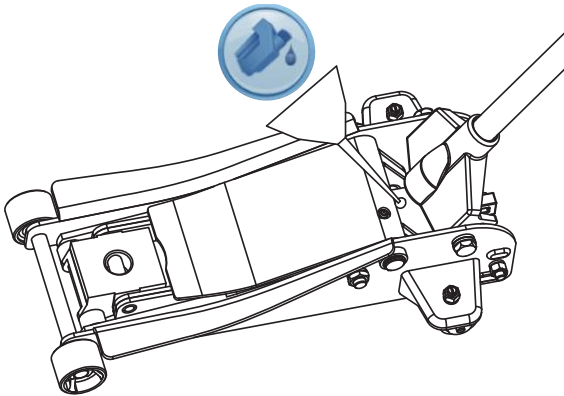
4. Enlevez la selle.



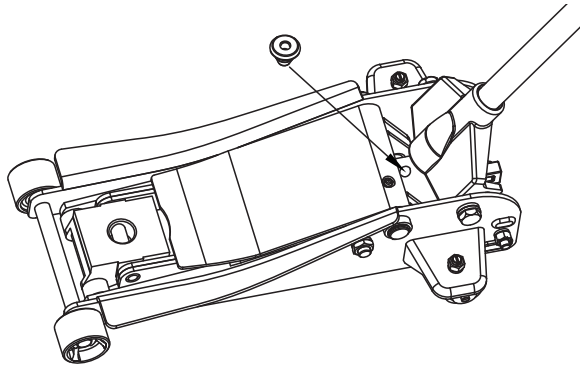
5. Retournez le cric sur le côté pour vidanger l'huile à partir du trou de remplissage d'huile.



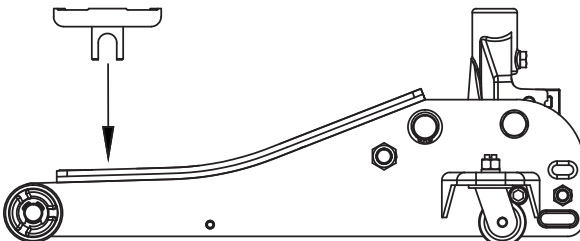
6. Positionnez le cric sur un sol de niveau et laissez la sellette en position basse. Remplissez le réservoir d'huile jusqu'à ce que le niveau se situe juste sous le rebord inférieur. Éloignez la saleté et les autres corps étrangers lors du remplissage.



7. Remettez le bouchon d'huile en place.



8. Effectuez le procédé de purge d'air.



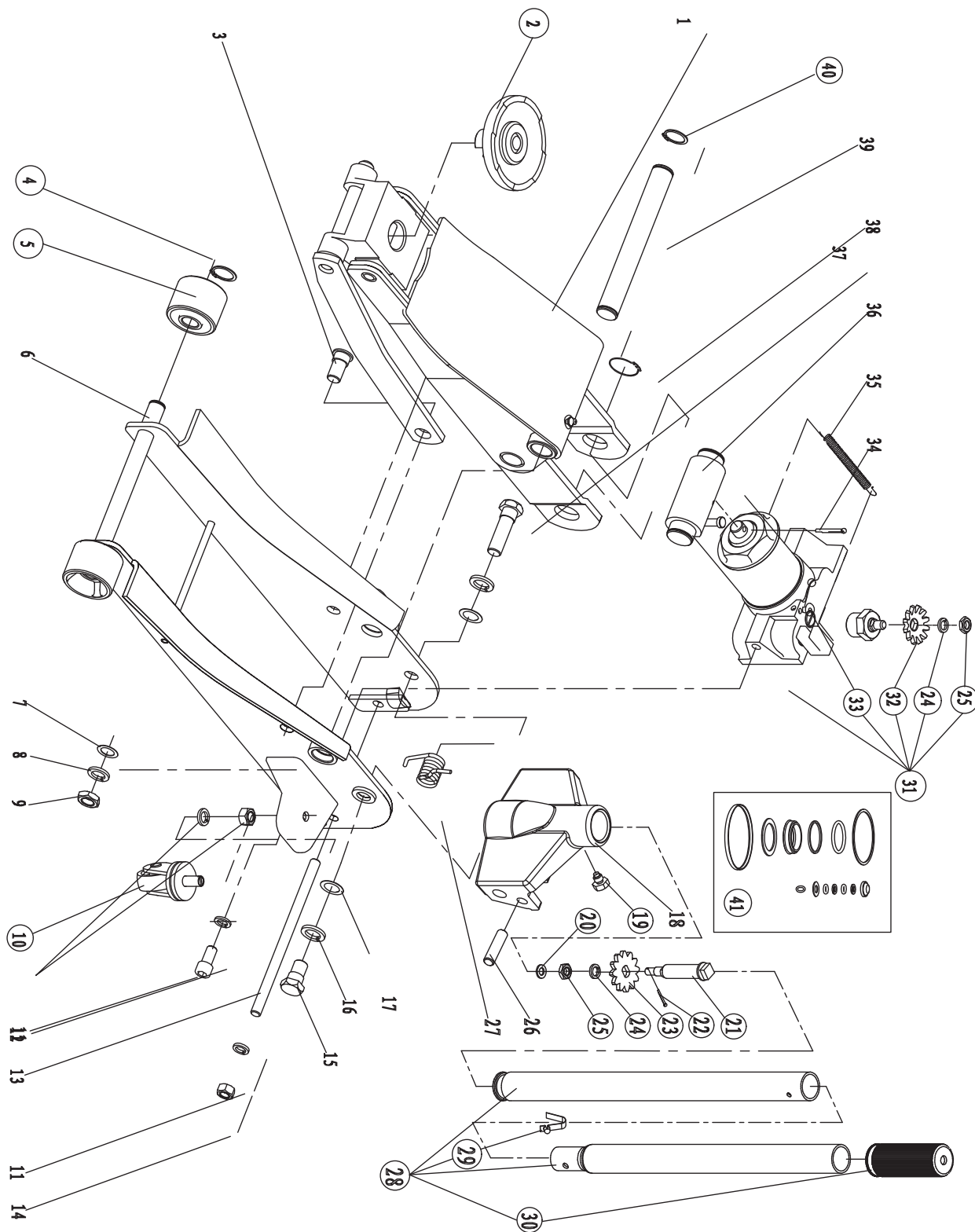
▲ AVERTISSEMENTS SUPPLÉMENTAIRES :

- N'UTILISEZ PAS D'HUILE MOTEUR DANS LE CRIC.
- N'UTILISEZ QUE DE L'HUILE ANTI-MOUSSANTE POUR CRIC.
- UTILISEZ TOUJOURS UNE HUILE HYDRAULIQUE POUR CRIC DE BONNE QUALITÉ.
- N'UTILISEZ PAS DE LIQUIDE HYDRAULIQUE POUR FREINS, D'ALCOOL, DE GLYCÉRINE, DE DÉTERGENT, D'HUILE MOTEUR OU D'HUILE SALE.
- L'UTILISATION D'UN LIQUIDE NON RECOMMANDÉ PEUT ENDOMMAGER LE CRIC.
- ÉVITEZ DE MÉLANGER DIFFÉRENTS TYPES DE LIQUIDES ET N'UTILISEZ JAMAIS DE LIQUIDE DE FREIN, D'HUILE POUR TURBINE, D'HUILE DE TRANSMISSION, D'HUILE MOTEUR OU DE GLYCÉRINE. UN LIQUIDE IN APPROPRIÉ PEUT PROVOQUER LA DÉFAILLANCE PRÉMATURÉE DU CRIC ET LA POSSIBILITÉ D'UNE PERTE IMMÉDIATE ET SOUDAIN DE LA CHARGE.
- ÉLIMINEZ LE LIQUIDE HYDRAULIQUE CONFORMÉMENT À LA RÉGLEMENTATION LOCALE.

LUBRIFICATION SUPPLÉMENTAIRE :

1. Vérifiez périodiquement le piston et le poussoir de la pompe pour y découvrir s'il y a de la rouille ou de la corrosion. Au besoin, essayez complètement à l'aide d'un linge doux soluble dans l'huile. N'UTILISEZ JAMAIS DE PAIER VERRE OU DE MATÉRIAU ABRASIF SUR CES SURFACES!
2. Lorsqu'il n'est pas utilisé, rangez le cric en ayant le piston et le poussoir complètement rétracté.

SCHÉMA DE MONTAGE



RÉF n°	PARTIE n°	DESCRIPTION	QUANTITÉ
1		Assemblage du bras de levage	1
2	T830018.3	Selle	1
3		Pivot de la tige de connexion	2
4	GB894.1-18	Anneau de retenue Ø18mm	2
5	T830018-1	Roue avant	2
6		Assemblage du châssis	1
7		Rondelle M16	2
8		Rondelle élastique M16	2
9		Écrou M16	2
10	T830021.5(asm)	Assemblage de la roulette arrière	2
11	GB859-M12	Rondelle élastique M12	4
12		Vis d'assemblage à six pans creux M12X25mm	2
13		Axe arrière	1
14	GB6170-M12	Écrou M12	2
15		Boulon à épaulement M18X39mm	1
16		Rondelle élastique M18	2
17		Rondelle M18	2
18		Douille de la poignée	1
19	QLZ2C-1a	Vis de la douille de la poignée M10X19mm	1
20	GB848-8	Rondelle M8	
21	QLZ2C.3-2C	Axe pour engrenage cylindrique	1
22	GB91-2X16	Clavette Ø2x16mm	1
23	QLZ2C.3-3a	Engrenage cylindrique	1
24	GB859-M16	Rondelle élastique M10	2
25	GB6172-M10	Écrou M10	2
26		Axe du plongeur de pompe	1
27	QLZ2C-4	Ressort de torsion	1
28	QLZ2C.2c	Assemblage de la poignée	1
29	T83508.5-4	Ergot d'arrêt de la poignée	1
30	QLZ2C.2-4	Couverture de la poignée	1
31	QLZ3.4a	Assemblage de l'unité d'alimentation	1
32	QLZ2C.6-3a	Engrenage hélicoïdal	1
33	TF1201C-29	Bouchon de remplissage d'huile	1
34		Clavette Ø4x40mm	1
35		Ressort de rappel	1
36		Accouplement	1
37		Boulon droit M18X66,5mm	1
38		Anneau de retenue Ø30mm	2
39		Axe de support	1
40	GB894.1-25	Anneau de retenue Ø25mm	2
41	T830021.MF	Kit d'étanchéité	1

DÉPANNAGE

CRIC NE SOULÈVE PAS LA CHARGE	CRIC NE MAINTIENT PAS LA CHARGE	CRIC NE S'ABAISSE PAS	LEVAGE INSUFFISANT DU CRIC	NE SOULÈVE PAS COMPLÈTEMENT	CAUSES ET SOLUTIONS
X	X		X		La soupape de sécurité n'est pas complètement fermée (Tournez la poignée en sens horaire).
X					Capacité de levage dépassée.
X			X		Il y a de l'air dans le circuit hydraulique. Purgez l'air du circuit.
X	X		X	X	Faible niveau d'huile. Ajoutez de l'huile au besoin.
		X			Le réservoir d'huile est trop rempli. Vidangez l'huile en trop. Lubrifiez les pièces mobiles.
		X			Le cric est saisi ou il y a blocage
X	X		X		Le mécanisme de levage fonctionne mal Remplacez le mécanisme de levage

La température de fonctionnement sécuritaire se situe entre 4°C et 41°C (40°F et 105°F)

GARANTIE

Ce cric de service est couvert par une garantie limitée d'un (1) an lorsqu'il est utilisé conformément aux recommandations. Seuls ces articles énumérés à l'aide d'un numéro de pièce sont disponibles pour achat. Pour obtenir de l'aide quant au fonctionnement ou à la disponibilité des pièces de rechange, communiquez avec notre Service des pièces et de garantie au 1-888-44-TORIN (1-888-448-6746). Ayez en main une copie de votre reçu, le numéro de modèle du produit, son numéro de série ainsi que des détails particuliers concernant votre question.

Ce ne sont pas tous les composants qui sont disponibles pour remplacement; les illustrations fournies offrent une référence commode quant à leur emplacement et à leur position dans la séquence de montage.

Le fabricant se réserve le droit de modifier la conception du produit ou d'apporter sans préavis des améliorations aux gammes de produits et aux manuels.

INFORMATION RELATIVE À LA GARANTIE

Nous voulons savoir si nos produits vous posent des inquiétudes. Dans ce cas, appelez le numéro sans frais pour obtenir une aide immédiate. Pour toutes questions supplémentaires visant le service à la clientèle sur le Web, visitez la section du Service à la clientèle à l'adresse : <http://www.torin-usa.com>.

GARANTIE LIMITÉE D'UN AN DE TORIN

Torin Inc.® fabrique des produits de réparation et d'entretien automobile de qualité depuis 1968. Tous les produits vendus sont de la meilleure qualité et sont couverts par la garantie suivante:

Pendant un an à compter de la date d'achat et accompagné de la preuve d'achat, le fabricant réparera ou remplacera, à sa discrétion et sans frais, l'un de ses produits ou pièces endommagées qui est devenue défectueuse à la suite d'un défaut de matériau ou de main-d'œuvre. La garantie ne couvre pas les dommages ou défauts provoqués par une utilisation inappropriée, une utilisation négligente ou abusive de l'équipement. La garantie ne couvre pas les pièces qui peuvent normalement s'user ou être consommées pendant l'utilisation normale de l'équipement. Sauf lorsque des limitations et exclusions sont interdites spécifiquement par la loi applicable, le (1) SEUL ET EXCLUSIF RECOURS DU CONSOMMATEUR SERA LA RÉPARATION OU LE REMPLACEMENT DU PRODUIT DÉFECTUEUX DÉCRIT CI-DESSUS et (2) LE FABRICANT NE SERA EN AUCUN CAS RESPONSABLE DE DOMMAGES INDIRECTS OU CONSÉCUTIFS OU DE TOUTE PERTE et (3) LA DURÉE DE TOUTES GARANTIES ÉCRITES OU IMPLICITES, Y COMPRIS, SANS S'Y LIMITER, TOUTES GARANTIES DE COMMERCIALITÉ ET D'APTITUDE À UN BUT PARTICULIER, EST LIMITÉE À UNE PÉRIODE D'UN AN À COMPTER DE LA DATE D'ACHAT. La modification du produit de quelque façon que ce soit par un tiers autre que nous, à la seule exception de modifications effectuées en conformité de directives relatives au produit et d'une façon adaptée. Vous reconnaissez et convenez que toute utilisation du produit dans un but autre que l'emploi spécifié et énoncé dans les directives relatives au produit se fait à vos propres risques.

Vérifiez toujours s'il y a des pièces endommagées ou usées avant d'utiliser tout produit. Des pièces brisées influenceront sur le fonctionnement de l'équipement. Remplacez et réparez immédiatement les pièces endommagées ou usées. Ne modifiez d'aucune façon le produit. Une modification non autorisée peut nuire au fonctionnement ou à la sécurité et peut influencer sur la durée de vie de l'équipement. Il existe des applications particulières pour lesquelles ce produit est conçu et testé en cours de production. Les articles garantis et fournis par le fabricant ne doivent pas être réparés par un autre que le fabricant ou un réparateur agréé par le fabricant. Le distributeur n'est pas autorisé à modifier ces énoncés. Vous reconnaissez et convenez que toute modification du produit dans un but autre que les réparations effectuées par le fabricant se fait à vos propres risques. Avant d'utiliser ce produit, lisez entièrement le manuel du propriétaire et familiarisez-vous complètement avec le produit et les dangers qui se rapportent à son utilisation inappropriée.

IMPORTANT: AVANT LA PREMIÈRE UTILISATION sur tout appareil de levage, vérifiez si la vérification quotidienne a été effectuée et que tous les composants sont en bon ordre.

La présente garantie limitée vous donne des droits précis et vous pouvez aussi avoir d'autres droits qui peuvent varier d'état en état. Certains états ne permettent pas de limitations ou d'exclusions sur les garanties implicites ou de dommages directs ou consécutifs; les limitations précédentes peuvent donc ne pas s'appliquer à votre cas. La garantie limitée est régie par les lois de l'état de Californie, sans égard aux règles relatives aux conflits juridiques. Les tribunaux d'état situés dans San Bernardino County en Californie auront la compétence exclusive en ce qui a trait à tout différent relatif à la présente garantie.

Le fabricant se réserve le droit d'effectuer sans préavis des modifications de conception ou des améliorations à cette gamme de produits ainsi qu'au manuel. Torin fera tous les efforts pour que des instructions complètes et exactes soient incluses dans le présent manuel. Cependant, il est possible que des mises à jour, des révisions ou des changements aient eu lieu depuis la présente impression. Torin Inc. se réserve le droit de modifier les spécifications sans encourir d'obligation envers l'équipement vendu antérieurement ou subséquemment. Les erreurs typographiques ne sont pas de la responsabilité du fabricant.

Par contre, il est possible de joindre le service à la clientèle à l'adresse www.torin-usa.com ou par courriel à info@torin-usa.com.

Ce ne sont pas tous les composants d'équipement qui sont disponibles pour remplacement, mais ils sont illustrés comme référence commode quant à leur emplacement et montage dans la séquence d'assemblage. Communiquez avec le service à la clientèle pour un composant équivalent. Lorsque vous communiquez avec nous, ayez sous la main le numéro de modèle du produit, le numéro de série et une description pour que nous puissions vous aider efficacement. Cette information se trouve sur un autocollant sur le produit.

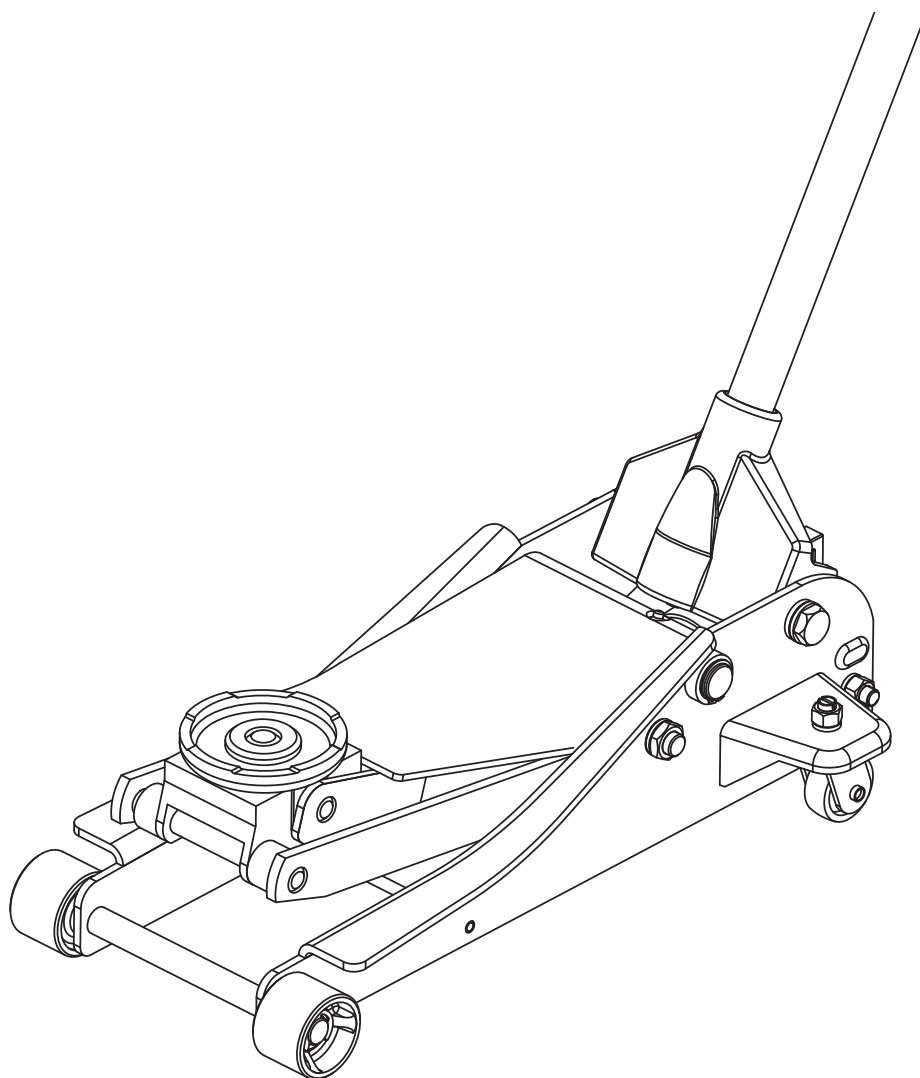
Pour tout soutien quant à la garantie ou si votre équipement Torin® fonctionne mal, communiquez directement avec le Service à la clientèle Torin® au 1-888-44-TORIN (1-888-448-6746) de 8 heures à 17 heures, heure du Pacifique, du lundi au vendredi



MANUAL DEL PROPIETARIO

GATO DE TALLER PERFIL BAJO DE 3 TONELADAS

Elemento: T830018



⚠ ADVERTENCIA

¿Alguna pregunta o problema? ¿Le faltan piezas? Antes de recurrir a su distribuidor, llame a nuestro departamento de atención al cliente al 1-888-44-TORIN (1-888-448-6746) de lunes a viernes de 8 a. m. a 5 p. m. Horas del Pacífico.

Lea atentamente y entienda todas las INSTRUCCIONES DE ENSAMBLAJE Y OPERACIÓN antes de utilizar el producto. Si no respeta las normas de seguridad y otras precauciones básicas de seguridad, pueden producirse lesiones personales graves.

IMPORTANTE

Antes de empezar, registre este producto.

Como referencia para el futuro, registre el nombre del modelo, el número del modelo, la fecha de fabricación y la fecha de compra de este producto. Puede encontrar esta información en el producto.

Nombre del modelo _____

Número del modelo _____

Fecha de fabricación _____

Fecha de compra _____

RESPONSABILIDAD DEL PROPIETARIO/USUARIO

NO UTILICE NI REPARE EL PRODUCTO SIN HABER LEÍDO ESTE MANUAL.

Lea y siga las instrucciones de seguridad. Ponga las instrucciones a disposición inmediata de los operadores. Asegúrese de que todos los operadores reciban el entrenamiento correspondiente y de que entiendan cómo utilizar el producto de forma segura y correcta. Al proceder, usted acepta que ha entendido y ha comprendido completamente la totalidad del contenido de este manual. Si no utiliza el producto correctamente, pueden producirse lesiones o la muerte. El fabricante no se hace responsable de ningún daño o lesión causados por uso inadecuado o negligencia. Utilice el producto solamente cuando todas las piezas estén en su lugar y funcionen de forma segura. Utilice solo piezas de repuesto originales. Realice una revisión y un mantenimiento del producto solo con las piezas de repuesto autorizadas o aprobadas; si se comete negligencia, no será seguro utilizar el producto y la garantía quedará anulada. Inspeccione cuidadosamente el producto con regularidad y realice todo mantenimiento que sea necesario. Guarde estas instrucciones en un lugar seco y protegido. Mantenga todas las calcomanías del producto limpias y visibles. No modifique el producto ni lo utilice para ninguna aplicación distinta a la que fue diseñado. Si tiene preguntas relacionadas a una aplicación en particular, NO utilice el producto hasta haberse contactado con el distribuidor o fabricante primero para determinar si dicha aplicación puede o debe realizarse en el producto.

Si tiene preguntas técnicas, llame al 1-888-448-6746.

USO DEBIDO

Este gato de trabajo pesado tiene un pistón de bomba hidráulica que levanta el brazo de elevación sin esfuerzo. El sistema está protegido contra los contaminantes con dispositivos de protección contra el polvo para el pistón de la bomba y sellos de la leva. El gato cuenta con un sistema de derivación de la válvula contra sobrecargas para evitar daños en el gato y lesiones al usuario. Su diseño compacto permite utilizarlo en espacios confinados. Se utiliza fácilmente debajo de vehículos bajos. Cumple con las normas de seguridad para equipo de servicio automotriz portátil (PASE) de la ASME.

ESPECIFICACIONES TÉCNICAS

Elemento	Capacidad	Rango de elevación Mín. (pulg.)	Rango de elevación Máx. (pulg.)	Rango de elevación Mín. (cm)	Rango de elevación Máx. (cm)
T830018	3 TONELADAS	3-3/8	17-15/16	8.5	45.5

REGLAS GENERALES DE SEGURIDAD

- ⚠ **ADVERTENCIA:** Asegúrese de leer y entender todas las instrucciones. Si no sigue todas las instrucciones incluidas a continuación, pueden ocurrir lesiones graves.
- ⚠ **PRECAUCIÓN:** No permita que nadie utilice ni ensamble este gato hasta haber leído este manual y haber comprendido completamente cómo funciona este gato.
- ⚠ **ADVERTENCIA:** Dentro de las advertencias, precauciones e instrucciones tratadas en este manual de instrucciones, no se pueden abarcar todas las posibles condiciones o situaciones que podrían ocurrir. El operador debe entender que el sentido común y la precaución son factores que no pueden incorporarse en este producto, sino que ellos mismos deben aportarlos.

REGLAS GENERALES DE SEGURIDAD CONSIDERACIONES IMPORTANTES DE SEGURIDAD

INSPECCIÓN

- Inspeccione el gato cuidadosamente antes de cada uso. Asegúrese de que el gato no esté dañado, excesivamente desgastado o le falten piezas.
- No utilice el gato a menos que esté correctamente lubricado.
- Si utiliza un gato con un mal estado de funcionamiento y sucio o que no esté correctamente lubricado, pueden producirse lesiones graves.
- Inspeccione el área de trabajo antes de cada uso. Asegúrese de que esté libre y despejada ante cualquier posible peligro.

NO UTILICE NI REPARE EL EQUIPO SIN HABER LEÍDO ESTE MANUAL.

Para mantener la seguridad del usuario y el gato de servicio, es responsabilidad del propietario leer y seguir estas instrucciones.

- Inspeccione el gato de servicio para verificar su operación y funcionamiento correctos.
- Ponga las instrucciones a disposición inmediata de los operadores del equipo.
- Asegúrese de que todos los operadores de equipos reciban el entrenamiento correspondiente y de que entiendan cómo utilizar el producto de forma segura y correcta.
- Utilice el producto solamente cuando todas las piezas estén en su lugar y funcionen de forma correcta.
- Utilice solo piezas de repuesto originales.
- Realice una revisión y un mantenimiento del producto solo con las piezas de repuesto autorizadas o aprobadas; si se comete negligencia, no será seguro utilizar el gato y la garantía quedará anulada.
- Inspeccione cuidadosamente el producto con regularidad y realice todo mantenimiento que sea necesario.
- Guarde estas instrucciones en la palanca de su gato.
- Mantenga todas las calcomanías de la unidad limpias y visibles.

SEGURIDAD

Siempre siga las precauciones de seguridad al instalar y utilizar este gato. Mantenga todas las calcomanías de la unidad limpias y visibles. Antes de proceder, asegúrese de haber entendido y comprendido completamente la totalidad del contenido de este manual. Si no utiliza el producto según lo indicado, pueden producirse lesiones o la muerte. El distribuidor no se hace responsable de ningún daño o lesión causados por uso inadecuado o negligencia.



ESTE ES SOLO UN DISPOSITIVO DE ELEVACIÓN.

- Este gato está diseñado únicamente para levantar una parte de todo el vehículo.
- No mueva ni traslade el vehículo mientras está sostenido por el gato.
- Inmediatamente después de levantar el vehículo, este debe apoyarse sobre las bases de un gato de clasificación apropiada.
- NUNCA pase por debajo de un vehículo que no esté apoyado sobre bases de gato de clasificación apropiada.
- Utilice cuñas para las ruedas u otro dispositivo de bloqueo en las ruedas opuestas antes de utilizar las bases de gato.

⚠ ADVERTENCIA

Siempre utilice bases de gato

NO UTILICE bloques de madera o cualquier otro dispositivo de sujeción de carga no aprobado. El fabricante solo garantiza las cargas sostenidas por bases de gato que cumplan con las normas actuales de la ASME.

NO UTILICE bloques de madera o cualquier otro dispositivo de elevación de carga no aprobado como una forma de levantar con el gato o levantar la carga. Si no toma en cuenta estas advertencias, pueden producirse lesiones o la muerte.

MARCAS DE SEGURIDAD

⚠ ADVERTENCIA

1. Revise, entienda y siga todas las instrucciones antes de utilizar este dispositivo.
2. No supere la capacidad nominal.
3. Utilice el producto solamente sobre superficies duras y niveladas con una inclinación inferior a 3 grados.
4. Este es solo un dispositivo de elevación. Inmediatamente después de levantar el vehículo, apóyelo de forma apropiada.
5. No mueva ni traslade el vehículo mientras está sujetado por el gato.
6. Levante solamente en áreas del vehículo especificadas por el fabricante del vehículo.
7. No deben realizarse alteraciones en este producto.
8. Solo deben utilizarse accesorios o adaptadores suministrados por el fabricante.
9. No se ubique debajo ni permita que nadie se coloque debajo del vehículo hasta que esté apoyado sobre las bases de gato.
10. Centre la carga en la montura antes de levantar.
11. Utilice cuñas para las ruedas u otro dispositivo de bloqueo en las ruedas opuestas antes de utilizar el gato.
12. Nunca lo utilice en una podadora de césped o tractor para césped.
13. No utilice este gato para fines que no sean los especificados por el fabricante.
14. No permita que el vehículo se balancee mientras realiza trabajos sobre o alrededor del equipamiento.
15. No se recomienda usar este equipamiento para sostener los siguientes: cimientos, casas, casas rodantes, remolques, camionetas, campers, autocaravanas, etc...
16. Si no presta atención a estas marcas, pueden ocurrir lesiones personales o daños materiales.

INSTRUCCIONES GENERALES DE SEGURIDAD

Coloque el gato

Coloque el gato para levantar solamente en áreas del vehículo especificadas por el fabricante del vehículo.

Siempre utilice bases de gato

Después de levantar el vehículo, siempre apoye la carga con bases de gato para vehículos de clasificación apropiada antes de trabajar con el vehículo.

No sobrecargue el gato

No sobrecargue este gato más allá de su capacidad nominal. Si sobrecarga este gato más allá de su capacidad nominal, pueden producirse daños o fallas en el gato.

Siempre utilice el gato sobre superficies duras y niveladas

Este gato está diseñado solamente para utilizarse sobre superficies duras y niveladas capaces de sostener la carga. Si lo utiliza en una superficie inestable o de otro tipo, la carga puede caer.

Calzar y bloquear (estabilizar)

Accione el freno de estacionamiento en el vehículo antes de utilizar el gato.

Un calce es una cuña para estabilizar un objeto y mantenerlo inmóvil o para evitar el movimiento de una rueda. Calce la rueda opuesta al extremo que desea levantar.

Cuando se bloquea una carga, se asegura y apoya una carga que se está levantando. Los bloques o estabilizadores deben tener una capacidad de peso superior al peso de la carga que se está levantando.

Centre la carga sobre la montura del gato

Centre la carga sobre la montura del gato antes de levantar el vehículo.

Las cargas que no están centradas y las cargas levantadas cuando el gato no está nivelado pueden generar una pérdida de la carga o un daño en el gato.

No levante ni baje el vehículo si hay herramientas, materiales y personas cerca.

Cuando la carga está bajando, asegúrese de que no haya ninguna persona al menos a un 1,80 metros de distancia. Asegúrese de que no haya herramientas ni equipos debajo o alrededor del gato antes de bajar la carga.

Siempre baje el gato lentamente.

NO UTILICE EL GATO PARA APOYAR O ESTABILIZAR UNA CARGA.

Si utiliza el gato para apoyar o estabilizar una carga, puede producirse un movimiento inesperado y generar lesiones graves, aplastamiento y muerte. Siempre calce y bloquee (estabilice) la carga por levantar de forma segura. Nunca coloque ninguna parte del cuerpo debajo de una carga levantada sin haber calzado y apoyado la carga correctamente.

Nunca utilice el gato en parachoques tubulares o curvados.

Ya que el vehículo podría resbalarse del gato y caer, y causar lesiones graves o la muerte. Utilice un elevador de parachoques para levantar la mayoría de vehículos con parachoques curvados o plásticos.

Use gafas de seguridad aprobadas por el ANSI y guantes de trabajo pesado mientras utilice el gato.

No ajuste la válvula de seguridad.

No mueva ni traslade el vehículo mientras esté utilizando el gato.

Manténgase alerta. Ejercer la precaución y el sentido común al utilizar el gato. No utilice un gato cuando esté cansado, confundido, mareado o bajo la influencia de drogas o alcohol.

Capacitación

Lea este manual antes del uso. No permita que alguna persona que no haya leído este manual o no entienda los requisitos utilice este gato.

Espectadores

No permita la presencia de transeúntes alrededor del gato o bajo la carga apoyada solo por el gato. No permita que nadie se encuentre dentro del vehículo mientras se esté utilizando el gato. Mantenga a todos los transeúntes lejos del vehículo cuando se use el gato.

Inspección

Inspeccione el gato cuidadosamente antes de cada uso. Asegúrese de que el gato no esté dañado, demasiado desgastado o de que le falten piezas. No utilice el gato si no está lubricado correctamente. Si utiliza el gato en un mal estado de funcionamiento y sucio o que no esté correctamente lubricado, pueden producirse lesiones graves.

Notas adicionales:

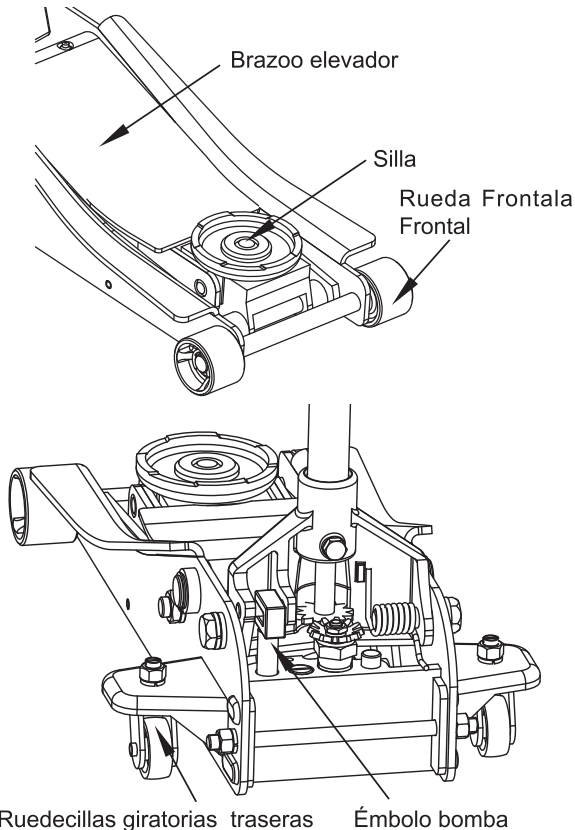
Guarde el recibo, la garantía y estas instrucciones.

No modifique el gato de ninguna manera. Cualquier modificación no autorizada puede alterar el funcionamiento o la seguridad y podría afectar la vida útil del equipo. Existen usos específicos para los que el gato fue diseñado.

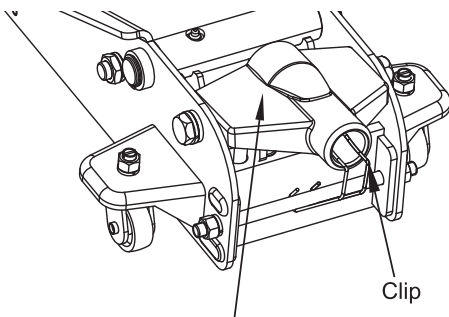
Siempre revise si hay piezas dañadas o desgastadas antes de utilizar el gato. Las piezas averiadas afectarán el funcionamiento del equipo. Reemplace o repare las piezas dañadas o desgastadas de inmediato. Cuando no utilice el gato, guárdelo en un lugar seguro fuera del alcance de los niños. Inspecciónelo para verificar su buen estado de funcionamiento antes de guardarlo y volver a utilizarlo.

ENSAMBLAJE

1. Familiarícese con el gato.



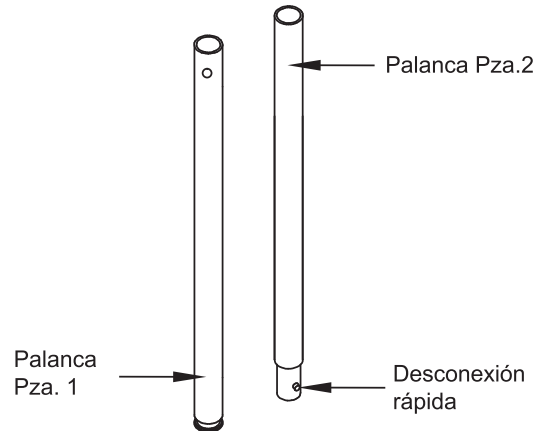
2. Antes del ensamblaje remueva cuidadosamente el clip de retención sujeto al receptáculo de la palanca. **PRECAUCIÓN:** El receptáculo tenderá a rebotar hacia arriba cuando el clip es removido. Para prevenir posibles lesiones, coloque una mano encima del receptáculo para controlar el movimiento ascendente del clip de retención del receptáculo de la palanca, y luego remueva cuidadosamente el clip de retención. Una vez removido permita que el receptáculo de la palanca suba lentamente hasta su posición de descanso.



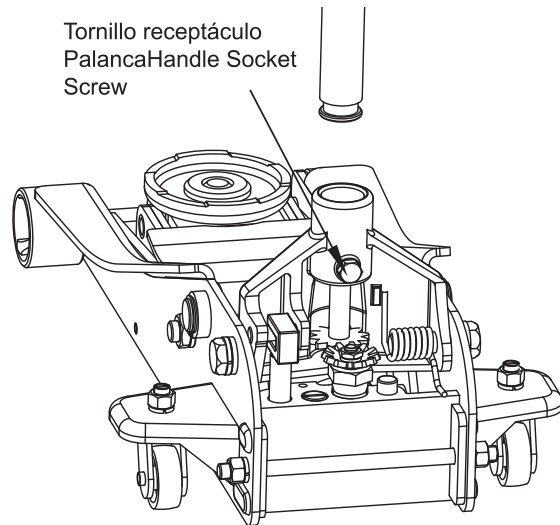
⚠ ADVERTENCIA!

Una vez removido el clip de retención permita que el receptáculo de la palanca suba de regreso **LENTAMENTE** hasta su posición de descanso. Tenga **PRECAUCIÓN** al remover el clip de retención, ya que el receptáculo de la palanca rebotará rápidamente hacia delante.

3. Refiérase a la imagen 2 cuando realice este paso. Presione Desconexión rápida en la pieza 2 de la palanca, esto permitirá que las piezas deslizantes de la palanca 1 y 2 conecten; alinee los agujeros en ambas secciones para permitir que se gatille la Desconexión rápida. La Desconexión rápida saltará automáticamente cuando los agujeros estén en la posición correcta.



4. Afloje el tornillo ubicado en el Receptáculo de la palanca para insertar la palanca ensamblada.



5. Alinee el agujero cuadrado ubicado en la base de la palanca sobre el perno cuadrado en el interior del Receptáculo de la palanca. (VER IMAGEN PASO 6).
6. Asegure la palanca en su sitio apretando el tornillo del Receptáculo de la palanca sin ningún vehículo en el gato. Haga ciclar el elevador hacia arriba y abajo varias veces para asegurarse de que el sistema hidráulico esté funcionando adecuadamente. (Realice el Procedimiento de purgado de aire antes del primer uso).

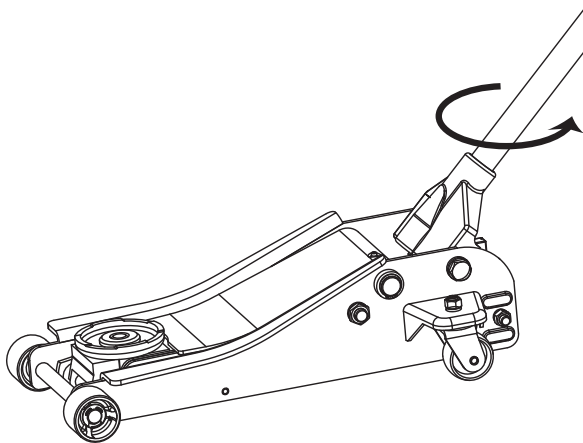
⚠ ADVERTENCIA: No levante ni cargue el gato sujetándolo por la palanca. La palanca podría desprenderse y el gato podría caer, lo que podría causar posibles lesiones o daños materiales.

PROCEDIMIENTO DE PURGA DE AIRE DEL SISTEMA

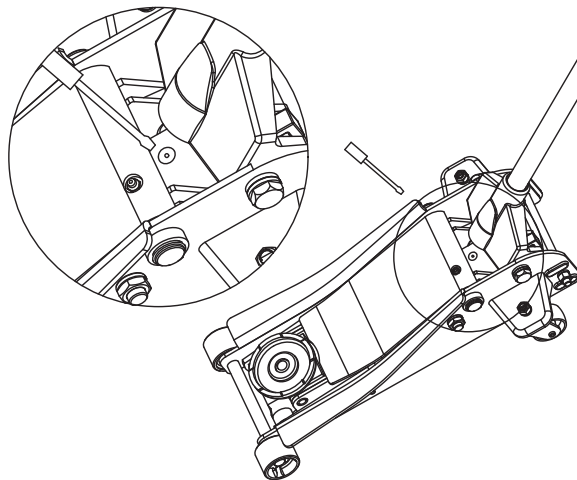
IMPORTANTE: ANTES DEL PRIMER USO

Realice el siguiente Procedimiento de purga de aire para extraer cualquier residuo de aire que pueda haber entrado en el sistema hidráulico durante el envío y la manipulación del producto. Este paso debe realizarse sin ningún peso sobre el gato.

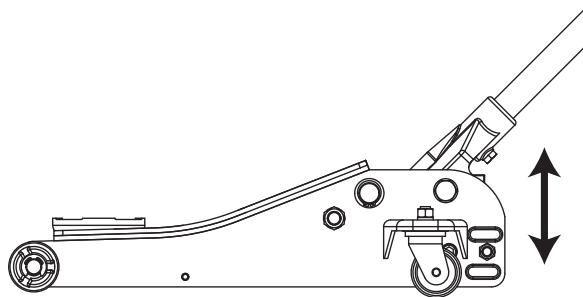
1. Gire la válvula de liberación en sentido antihorario con un giro completo hasta la posición abierta.



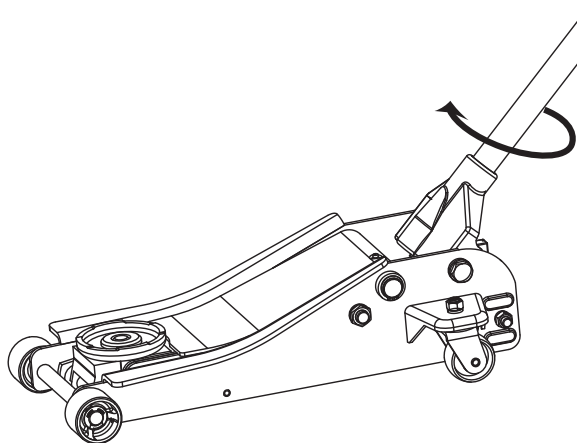
3. Con un destornillador de cabeza plana, desenrosque el tapón de llenado de aceite ligeramente para eliminar el aire atrapado en el sistema. (En el caso de los TAPONES DE ACEITE DE GOMA, tenga cuidado de no romper o pinchar el tapón de aceite).



2. Mueva rápidamente la palanca de 6 a 8 veces. Deje la palanca en la posición hacia abajo para dejar expuesto el tapón de llenado de aceite.



4. Gire la válvula de liberación en sentido horario hasta la posición cerrada.



5. Ahora el gato está listo para utilizarse. Verifique que la bomba esté funcionando correctamente. (Repita los pasos si es necesario).

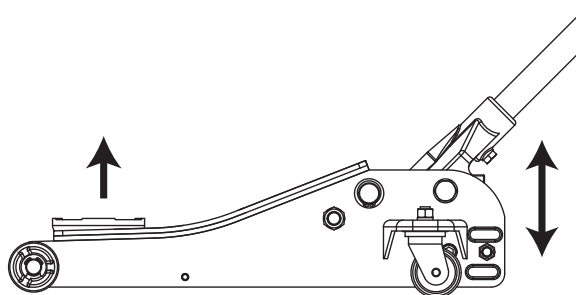
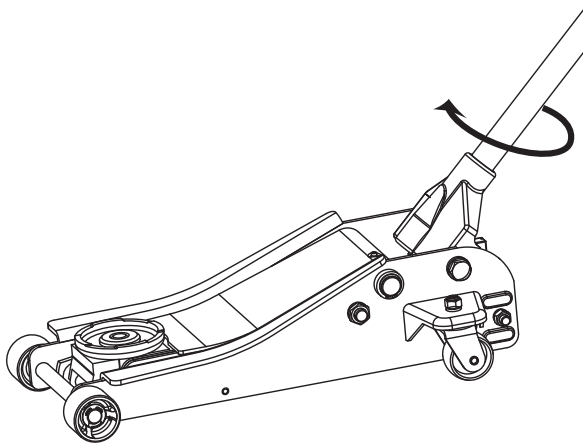
AVANT L'UTILISATION

1. Antes de utilizar este producto, lea todo el manual del propietario y familiarícese bien con el producto y los peligros asociados a su uso incorrecto.
2. Realice el procedimiento de purga de aire. (Consulte la sección Procedimiento de purga del sistema).
3. Verifique que la bomba funcione sin problemas antes de utilizarla.
4. Inspeccione antes de cada uso. No utilice el producto si observa componentes doblados, rotos o agrietados.

OPERACIÓN

ELEVACIÓN DEL GATO

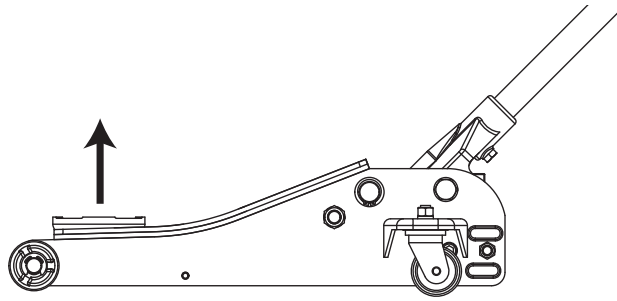
1. Bloquee las ruedas de vehículo para asegurar estabilidad al levantar. Asegure la carga para evitar desplazamientos y movimientos involuntarios.
2. Coloque el gato cerca del punto de elevación deseado.
3. Ponga el freno de estacionamiento en el vehículo.
4. Consulte el manual del propietario del fabricante del vehículo para ubicar puntos de elevación del vehículo aprobados. Coloque el gato de manera que la montura esté centrada y entre en contacto con el punto de elevación de carga de manera firme.
5. Ensamble la palanca; asegúrese de alinearla con las ranuras.
6. Cierre la válvula de liberación girándola en sentido horario hasta que esté bien cerrada.
7. Antes de elevar el vehículo, revise nuevamente y verifique que la montura esté centrada y que esté completamente en contacto con el punto de elevación.
8. Mueva la palanca para levantar hasta que la montura entre en contacto con la carga. Siga moviendo la palanca del gato para levantar el vehículo hasta la altura deseada. Después de levantar el vehículo, apoye la carga con bases de apoyo para vehículos de clasificación apropiada antes de trabajar con el vehículo.



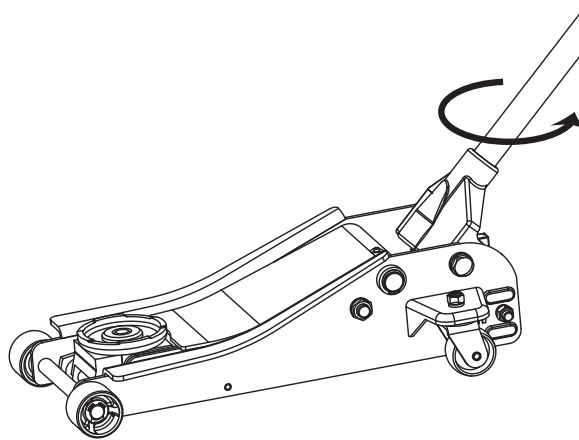
⚠ PRECAUCIÓN: SIEMPRE CABLEE, SUJETE CON ABRAZADERAS O DESACTIVE LA VÁLVULA DE CONTROL DE ELEVACIÓN UTILIZANDO SU MANO Y NO DE OTRA FORMA. USE LA PALANCA PROVISTA CON ESTE PRODUCTO O UNA PALANCA DE REEMPLAZO AUTORIZADA PARA ASEGURAR UN FUNCIONAMIENTO APROPIADO DE LA VÁLVULA DE LIBERACIÓN. NO UTILICE EXTENSIONES EN LA PALANCA EN FUNCIONAMIENTO.

DESCENSO DEL GATO

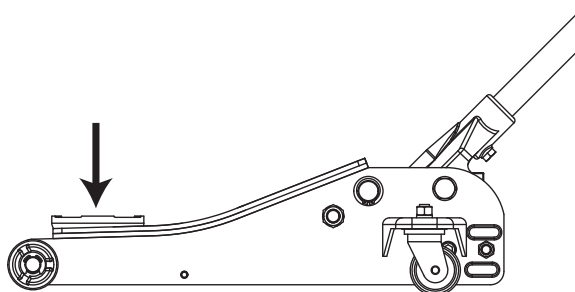
1. Levante la carga lo suficiente para dejar un espacio para que las bases del gato se puedan retirar y luego retire las bases cuidadosamente.



2. Retire las bases de soporte.
3. Agarre la palanca con firmeza utilizando ambas manos. Agarre la palanca del gato de manera segura de modo que sus manos no se resbalen y asegúrese de que la válvula de liberación no baje rápidamente.
4. Abra cuidadosamente la válvula de liberación girando la palanca en sentido antihorario lentamente. (No permita la presencia de transeúntes alrededor del gato o bajo la carga cuando baje el gato).



5. Después de remover el gato de abajo de la carga, manténgalo en la posición más baja para reducir la exposición al óxido y la contaminación.



⚠ ADVERTENCIA: SEA MUY CUIDADOSO AL BAJAR EL GATO. LA PALANCA DEL GATO PUEDE GIRAR RÁPIDAMENTE. AL ABRIR LA VÁLVULA DE LIBERACIÓN DEMASIADO RÁPIDO, EL GATO PUEDE BAJAR RÁPIDAMENTE. SI NO TOMA EN CUENTA ESTAS ADVERTENCIAS, PUEDEN PRODUCIRSE LESIONES GRAVES O LA MUERTE.

INSTRUCCIONES DE MANTENIMIENTO

Si utiliza y da mantenimiento a su equipo correctamente, este le ofrecerá muchos años de servicio. Siga cuidadosamente las instrucciones de mantenimiento para mantener su equipo en buenas condiciones de funcionamiento. No haga ningún mantenimiento al equipo mientras esté llevando una carga.

Inspección

Debe inspeccionar el producto en busca de daños, desgaste, averías o piezas faltantes (p. ej., pasadores) y verificar que todos los componentes funcionen antes de cada uso. Siga las instrucciones de lubricación y almacenamiento para lograr un rendimiento óptimo del producto.

Atasco

Si el producto se atasca mientras lleva una carga, utilice un equipo con capacidad de carga equivalente o mayor para bajar la carga de manera segura hasta el suelo. Después de que el gato esté liberado, limpie, lubrique y compruebe que el equipo funciona correctamente. Los componentes oxidados, la suciedad y las piezas desgastadas pueden ser las causas del atasco. Limpie y lubrique el equipo según lo indicado en la sección de lubricación. Pruebe el equipo levantando sin carga. Si el atasco continúa, comuníquese con el Servicio de Atención al Cliente.

Limpieza

Si las piezas en movimiento del equipo están obstruidas, utilice disolvente de limpieza u otro desengrasante fuerte para limpiar el equipo. Retire cualquier óxido existente con un lubricante penetrante.

Lubricación

Este equipo no funcionará de forma segura sin una lubricación apropiada. Si utiliza este equipo sin una lubricación apropiada, no obtendrá un buen rendimiento y se producirán daños en el equipo. Algunas piezas de este equipo no se lubrican automáticamente. Inspeccione el equipo antes de usarlo y lubríquelo cuando sea necesario. Después de limpiar, lubrique el equipo con aceite penetrante ligero o lubricante en aerosol.

- Utilice un buen lubricante en todas las piezas móviles.
- Para trabajos livianos, lubrique una vez al mes.
- Para trabajos pesados y constantes, se recomienda lubricar cada semana.
- NUNCA UTILICE LIJAS O MATERIAL ABRASIVO SOBRE ESTAS SUPERFICIES.

Prevención de óxido:

Revise los arietes y los émbolos de la bomba de los conjuntos de la unidad de potencia diariamente para detectar signos de oxidación o corrosión.

Sin carga, levante el equipo tanto como pueda y observe debajo y detrás de los puntos de elevación. Si observa signos de oxidación, limpie según sea necesario.

Accesorios engrasantes

Algunos modelos contienen accesorios engrasantes que requieren grasa y lubricación periódicas.

Cómo funciona el gato

Con la válvula de liberación cerrada, un movimiento hacia arriba de la palanca del gato extrae aceite del tanque y lo deriva a la cavidad del émbolo. La presión hidráulica mantiene la válvula cerrada, lo que mantiene el aceite en la cavidad del émbolo. Un movimiento hacia abajo de la palanca del gato libera aceite hacia el cilindro, lo que fuerza el ariete hacia afuera. Esto causa que la montura se levante. Cuando el ariete alcanza la extensión máxima, el aceite se deriva de vuelta al tanque para evitar un movimiento demasiado extendido del ariete y un posible daño en el gato. Al abrirse la válvula de liberación, el aceite puede fluir de vuelta al tanque. Esto permite liberar presión hidráulica sobre el ariete, lo que hace que la montura baje.

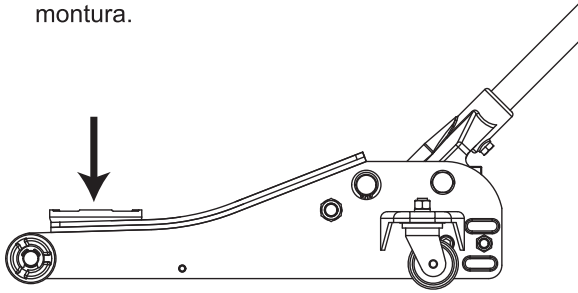
Almacenamiento del gato

1. Baje el brazo de elevación.
2. Coloque la palanca en posición vertical.
3. Guárdelo en un lugar seco, de preferencia en interiores.

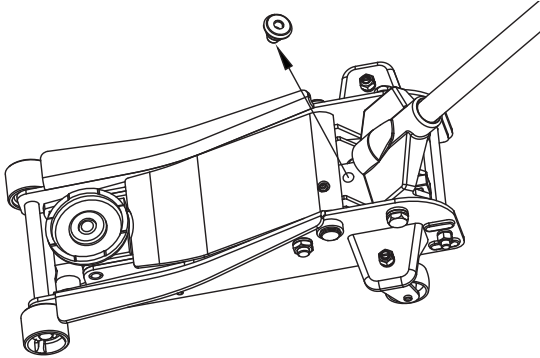
Nota: Si guarda el gato en exteriores, asegúrese de lubricar todas las piezas antes y después de utilizarlo para asegurarse de que se mantenga en buenas condiciones de funcionamiento. Siempre guarde el gato completamente retraído cuando se almacene en exteriores o en ambientes cáusticos que puedan causar corrosión u óxido.

PARA AGREGAR ACEITE AL GATO

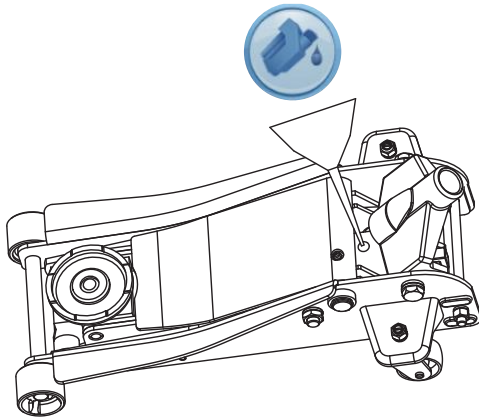
1. Coloque el gato sobre suelo nivelado y baje la montura.



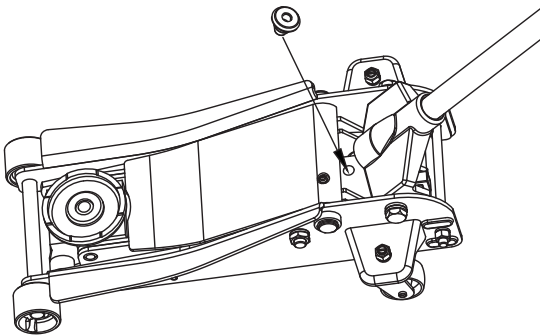
2. Retire el tapón de aceite.



3. Llene el recipiente de aceite hasta que el nivel de aceite esté justo por debajo del borde inferior del orificio de llenado de aceite.



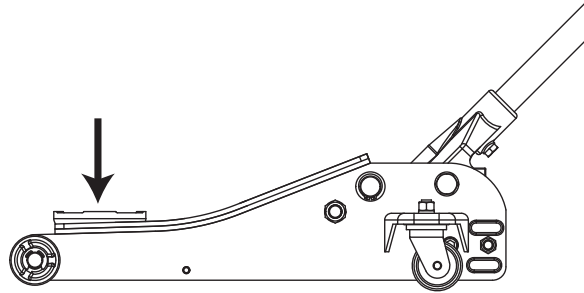
4. Reemplace el tapón de aceite.



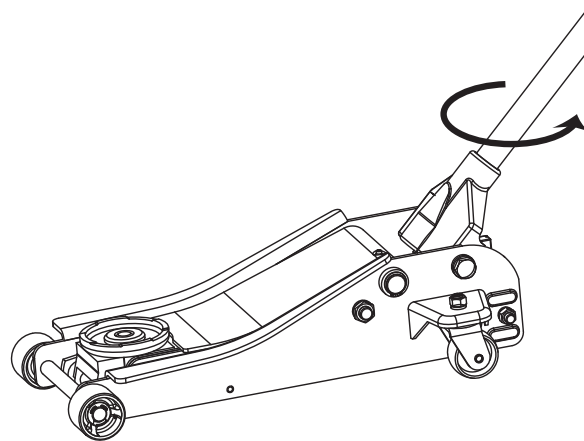
5. Realice el Procedimiento de Purgado de Aire.

PARA REEMPLAZAR EL ACEITE DEL GATO

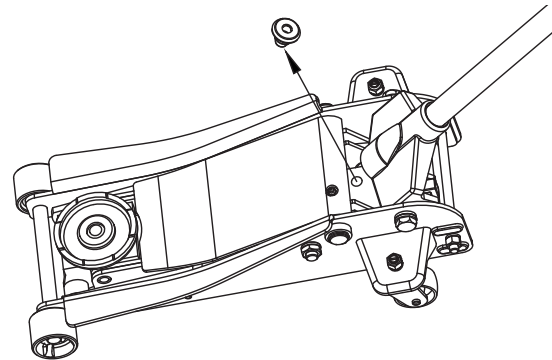
1. Coloque el gato sobre suelo nivelado y baje la montura.



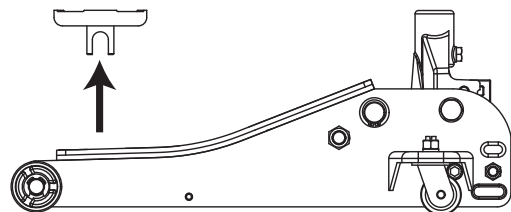
2. Abra la válvula de liberación girando la palanca en sentido antihorario.



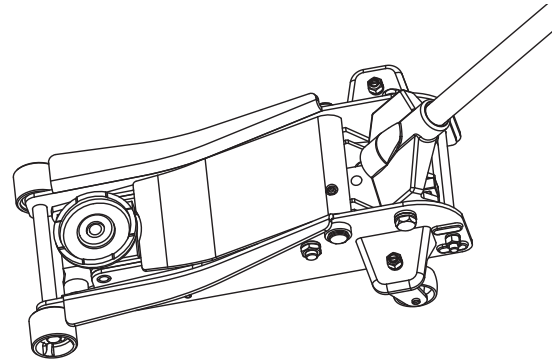
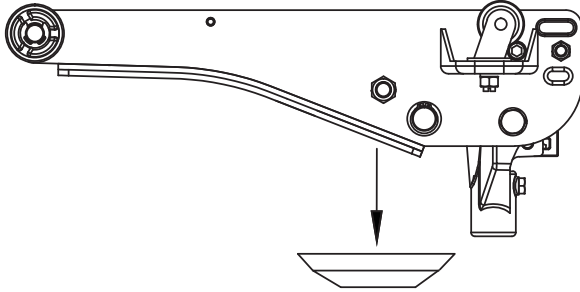
3. Retire el tapón de llenado de aceite.



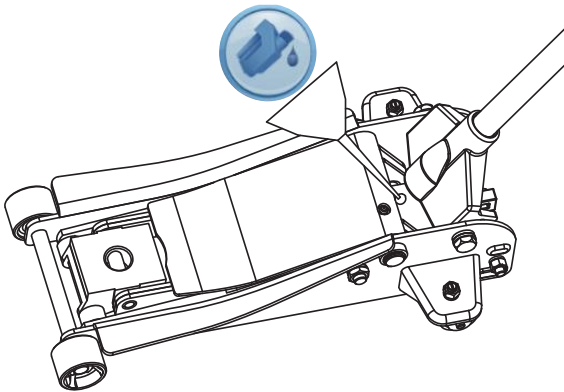
4. Remueva el sillín.



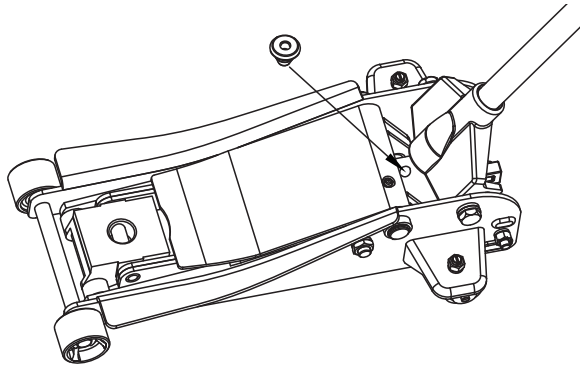
5. Gire el gato sobre su lado para drenar el aceite antiguo desde el orificio de llenado de aceite.



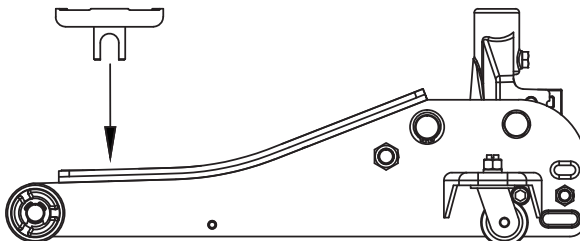
6. Coloque el gato sobre suelo nivelado y mantenga la montura en la posición baja. Llene el recipiente de aceite hasta que el nivel de aceite esté justo por debajo del borde inferior. Asegúrese de que no haya suciedad ni otros materiales extraños cuando vierta el aceite.



7. Reemplace el tapón de aceite.



8. Realice el Procedimiento de Purgado de Aire.



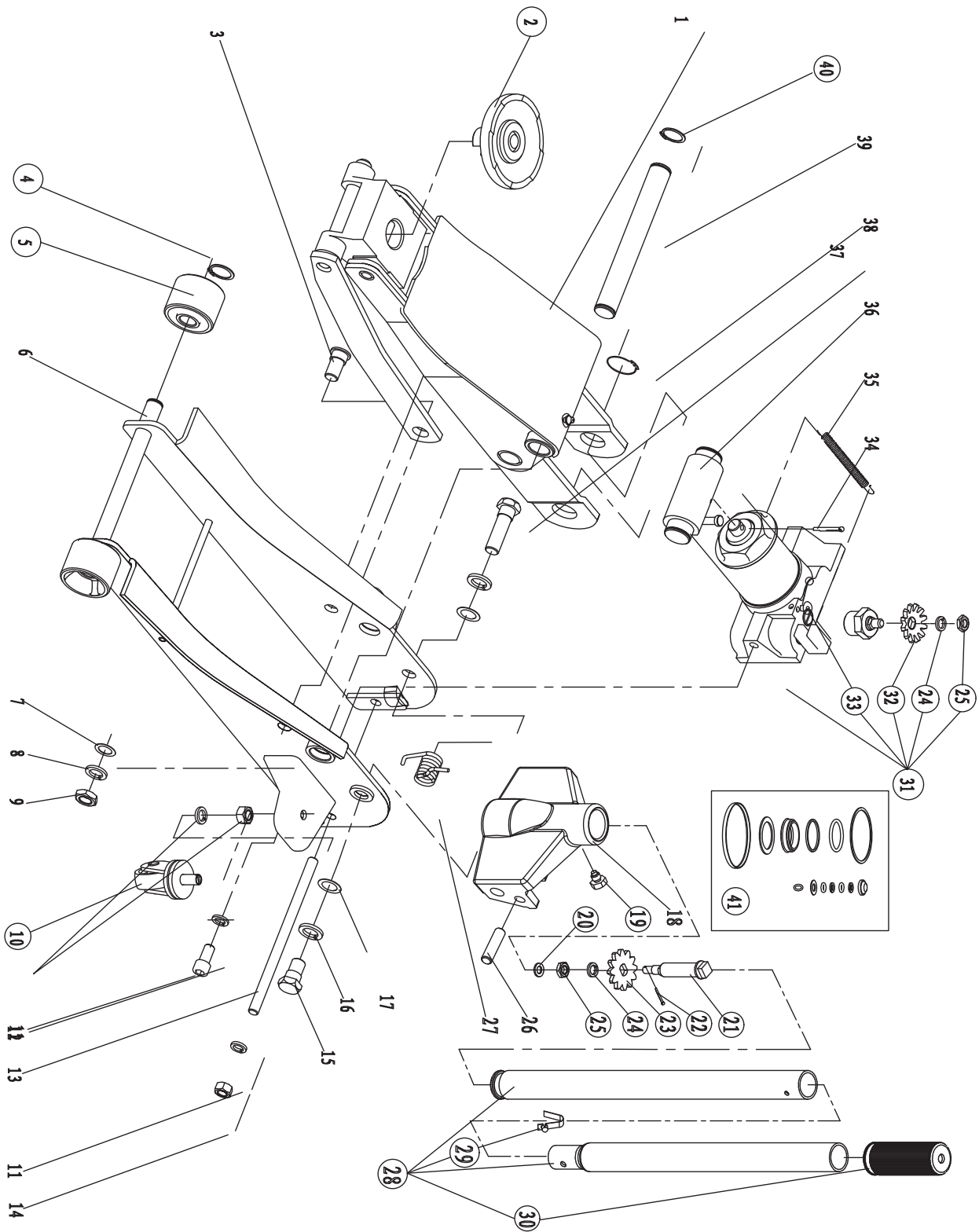
⚠ ADVERTENCIAS ADICIONALES:

- NO UTILICE ACEITE DE MOTOR EN EL GATO.
- SOLO UTILICE ACEITE PARA GATO ANTIESPUMANTE.
- SIEMPRE UTILICE UN ACEITE PARA GATO HIDRÁULICO DE BUENA CALIDAD.
- NO UTILICE LÍQUIDO DE FRENO HIDRÁULICO, ALCOHOL, GLICERINA, DETERGENTE, ACEITE DE MOTOR O ACEITE SUCIO.
- SI UTILIZA UN LÍQUIDO NO RECOMENDADO, PUEDEN PRODUCIRSE DAÑOS EN EL GATO.
- EVITE MEZCLAR DIFERENTES TIPOS DE LÍQUIDO Y NUNCA UTILICE LÍQUIDO DE FRENOS, ACEITE DE TURBINA, LÍQUIDO DE TRANSMISIÓN, ACEITE DE MOTOR O GLICERINA. SI UTILIZA UN LÍQUIDO INAPROPIADO, EL GATO PUEDE FALLAR TEMPRANAMENTE Y LA CARGA PUEDE PERDERSE DE FORMA REPENTINA E INMEDIATA.
- DESECHE EL LÍQUIDO HIDRÁULICO DE ACUERDO CON LAS REGULACIONES LOCALES.

LUBRICACIÓN ADICIONAL:

1. Revise periódicamente el pistón de la bomba y el ariete en busca de signos de óxido o corrosión. Según sea necesario, limpie bien con un trapo que pueda absorber el aceite y que no sea áspero. NUNCA UTILICE LIJAS O MATERIAL ABRASIVO SOBRE ESTAS SUPERFICIES.
2. Cuando no utilice el gato, guárdelo con el pistón de la bomba y el ariete completamente retraídos.

DIAGRAMA DE ENSAMBLAJE



REF.No.	PARTE No.	DESCRIPCIÓN	CANT.
1		Ensamblaje brazo elevador	1
2	T830018.3	Sillín	1
3		Pivote varilla conectora	2
4	GB894.1-18	Clip en C Ø18mm	2
5	T830018-1	Rueda frontal	2
6		Ensamblaje del almacón	1
7		Arandela M16	2
8		Arandela de resorte M16	2
9		Tuerca M16	2
10	T830021.5(asm)	Ensamblaje ruedecillas traseras	2
11	GB859-M12	Arandela de resorte M12	4
12		Tornillo Allen cabeza cilíndrica M12x25mm	2
13		Eje trasero	1
14	GB6170-M12	Tuerca M12	2
15		Perno de resalto M18X39mm	1
16		Arandela de resorte M18	2
17		Arandela M18	2
18		Receptáculo de la palanca	1
19	QLZ2C-1a	Tornillo receptáculo palanca M10X19mm	1
20	GB848-8	Arandela M8	
21	QLZ2C.3-2C	Eje del engranaje	1
22	GB91-2X16	Pasador de chaveta Ø2X16mm	1
23	QLZ2C.3-3a	Rueda dentada	1
24	GB859-M16	Arandela de resorte M10	2
25	GB6172-M10	Tuerca M10	2
26		Pasador del émbolo de la bomba	1
27	QLZ2C-4	Resorte de torsión	1
28	QLZ2C.2c	Ensamblaje de la palanca	1
29	T83508.5-4	Clavija de trabado de la Palanca	1
30	QLZ2C.2-4	Cubierta de la Palanca	1
31	QLZ3.4a	Ensamblaje unidad de energía	1
32	QLZ2C.6-3a	Rueda dentada	1
33	TF1201C-29	Tapón de aceite	1
34		Pasador de chaveta Ø4X40mm	1
35		Resorte de retroceso	1
36		Conector de acoplamiento	1
37		Perno derecho M18X66.5mm	1
38		Clip en C Ø30mm	2
39		Eje de soporte	1
40	GB894.1-25	Clip en C Ø25mm	2
41	T830021.MF	Kit de sellado	1

SOLUCIÓN DE PROBLEMAS

EL GATO NO LEVANTA LA CARGA	EL GATO NO SOSTIENE LA CARGA	EL GATO NO BAJA	POCO LEVANTE DEL GATO	NO LEVANTA HASTA ALCANZAR LA EXTENSIÓN COMPLETA	CAUSAS Y SOLUCIONES
X	X		X		La válvula de liberación no está completamente cerrada. (Gire la palanca en sentido horario).
X					Se superó la capacidad máxima.
X			X		Hay aire en el sistema hidráulico. Purgue el aire del sistema.
X	X		X	X	Bajo nivel de aceite. Agregue aceite según sea necesario.
		X			El tanque de aceite está muy lleno. Drene el aceite sobrante. Lubrique las piezas móviles.
		X			El gato se atasca o hay una obstrucción de un objeto extraño.
X	X		X		La unidad de potencia no funciona correctamente. Reemplace la unidad de potencia.

La temperatura de funcionamiento segura está entre 40 °F y 105 °F (4 °C y 41 °C).

AVISO DE GARANTÍA

Este gato de servicio está cubierto por una garantía limitada de 1 año cuando se utiliza según lo recomendado. Únicamente los artículos que figuran con un número de pieza están disponibles para compra. Para obtener ayuda con la operación o la disponibilidad de las piezas de repuesto, comuníquese con nuestro departamento de piezas y garantía al 1-888-44-TORIN (1-888-448-6746). Tenga a mano una copia de su recibo, el número de modelo del producto, el número de serie y detalles específicos relacionados con su pregunta.

No se dispone de repuestos para todos los componentes del equipo; las ilustraciones provistas son una referencia conveniente de la ubicación y la posición en la secuencia de ensamblaje.

El fabricante se reserva el derecho de realizar cambios de diseño o mejoras en las líneas de productos y manuales sin previo aviso.

INFORMACIÓN DE GARANTÍA

Deseamos saber si tiene alguna inquietud sobre nuestros productos. De ser así, llame a la línea gratuita para obtener ayuda de inmediato. Si tiene consultas adicionales sobre la ayuda de asistencia al cliente en línea, visite la sección de servicio al cliente en <http://www.torin-usa.com>.

GARANTÍA LIMITADA DE UN AÑO DE TORIN

Desde 1968 Torin Inc.® fabrica productos de reparación y mantenimiento automotriz de calidad. Todos los productos vendidos se consideran como productos de la más alta calidad y están cubiertos por la siguiente garantía:

Con el comprobante de compra y durante el período de un año desde la fecha de la compra, el fabricante reparará o reemplazará, a su criterio y sin cobro, cualquiera de sus productos o piezas que fallen debido a un defecto de material o fabricación. Esta garantía no cubre daños o defectos causados por un uso inapropiado, negligente o uso indebido del equipo. Esta garantía no cubre piezas que normalmente se desgastan o consumen durante el funcionamiento normal del equipo. A excepción de las disposiciones en las que dichas limitaciones y exclusiones estén específicamente prohibidas por la ley aplicable, (1) la ÚNICA Y EXCLUSIVA COMPENSACIÓN PARA EL CONSUMIDOR SERÁ LA REPARACIÓN O EL REEMPLAZO DE LOS PRODUCTOS DEFECTUOSOS SEGÚN LO DESCRITO ANTERIORMENTE y (2) EL FABRICANTE NO SERÁ RESPONSABLE DE NINGÚN DAÑO O PÉRDIDA RESULTANTE O CASUAL, y (3) LA DURACIÓN DE TODAS LAS GARANTÍAS EXPRESAS E IMPLÍCITAS —QUE INCLUYEN PERO NO SE LIMITAN A CUALQUIER GARANTÍA DE COMERCIABILIDAD E IDONEIDAD PARA UN PROPÓSITO PARTICULAR— SE LIMITA A UN PERÍODO DE UN AÑO DESDE LA FECHA DE COMPRA. La alteración del producto de cualquier manera por parte de cualquier persona que no seamos nosotros, con la única excepción de alteraciones que guardan conformidad con las instrucciones del producto y que se realizan de manera profesional. Usted reconoce y acepta que cualquier uso del producto para cualquier fin distinto a los usos especificados en las instrucciones del producto corre por SU cuenta y riesgo.

Siempre revise si hay piezas dañadas o desgastadas antes de utilizar cualquier producto. Las piezas averiadas afectarán el funcionamiento del equipo. Reemplace o repare las piezas dañadas o desgastadas de inmediato. No modifique el producto de ninguna manera. Cualquier modificación no autorizada puede alterar el funcionamiento o la seguridad y podría afectar la vida útil del equipo. Existen aplicaciones específicas para las que los productos han sido diseñados y probados durante la producción. No se autoriza que los elementos bajo garantía provistos por el fabricante sean reparados por alguna persona que no sea el fabricante o una persona autorizada por el fabricante. El distribuidor no tiene autorización para modificar estas declaraciones. Usted reconoce y acepta que cualquier modificación del producto para cualquier fin que no sean las reparaciones realizadas por el fabricante corre por su cuenta y riesgo. Antes de utilizar este producto, lea todo el manual del propietario y familiarícese bien con el producto y los peligros asociados a su uso incorrecto.

IMPORTANTE: ANTES DEL PRIMER USO, verifique que se haya completado una inspección diaria y que todos los componentes estén funcionando correctamente.

Esta garantía limitada le otorga derechos legales específicos, y usted también puede tener otros derechos que varían según cada estado. Algunos estados no permiten limitaciones o exclusiones sobre las garantías implícitas o casuales o resultantes, por lo que posiblemente las limitaciones anteriores no se apliquen a SU caso. Esta garantía limitada está regida por las leyes del estado de California, sin tomar en consideración las normas relativas a conflictos de leyes. Los tribunales estatales ubicados en el condado de San Bernardino, California, tendrán jurisdicción exclusiva sobre cualquier disputa relacionada con esta garantía.

El fabricante se reserva el derecho de realizar cambios de diseño o mejoras en esta línea de productos y en este manual sin previo aviso. En Torin, hemos hecho nuestro mayor esfuerzo por garantizar que se incluyan instrucciones completas y exactas en este manual. Sin embargo, probablemente se hayan efectuado posibles actualizaciones, revisiones o cambios desde esta publicación. Torin Inc. se reserva el derecho de cambiar las especificaciones sin incurrir en ninguna obligación con respecto al equipo vendido anteriormente o posteriormente. No se hace responsable de los errores tipográficos.

Como otra alternativa, puede recurrir al Servicio de Atención al Cliente en www.torin-usa.com o vía correo electrónico a info@torin-usa.com.

No se ofrece reemplazo para todos los componentes del equipo, pero estos se ilustran como referencia conveniente de la ubicación y la posición en la secuencia de ensamblaje. Comuníquese con el Servicio de Atención al Cliente para conocer componentes equivalentes. Cuando se comunique con nosotros, tenga a la mano el número de modelo, el número de serie y la descripción de su producto para que podamos ayudarlo de manera eficiente. Puede encontrar esta información en una calcomanía adherida al producto.

Para recibir apoyo sobre la garantía o si su equipo Torin® no funciona correctamente, comuníquese con el Servicio de Atención al Cliente de Torin® directamente por teléfono al 1-888-44-TORIN (1-888-448-6746) de lunes a viernes de 8:00 a. m. a 5 p. m. hora del Pacífico.



Contact Torin® Customer Service directly by telephone at:
1-888-44-TORIN (1-888-448-6746)
8:00am – 5:00pm Pacific Time, Monday – Friday

Communiquez directement avec le Service à la clientèle Torin® au:
1-888-44-TORIN (1-888-448-6746)
De 8 heures à 17 heures, heure du Pacifique, du lundi au vendredi

Comuníquese con el Servicio de Atención al Cliente de Torin® directamente por teléfono al:
1-888-44-TORIN (1-888-448-6746)
De lunes a viernes de 8:00 a. m. a 5 p. m. hora del Pacífico

Torin Inc.
4355 E. Brickell Street Ontario, CA USA
www.torin-usa.com
Made in China - Fabriqué en Chine - Hecho en China

