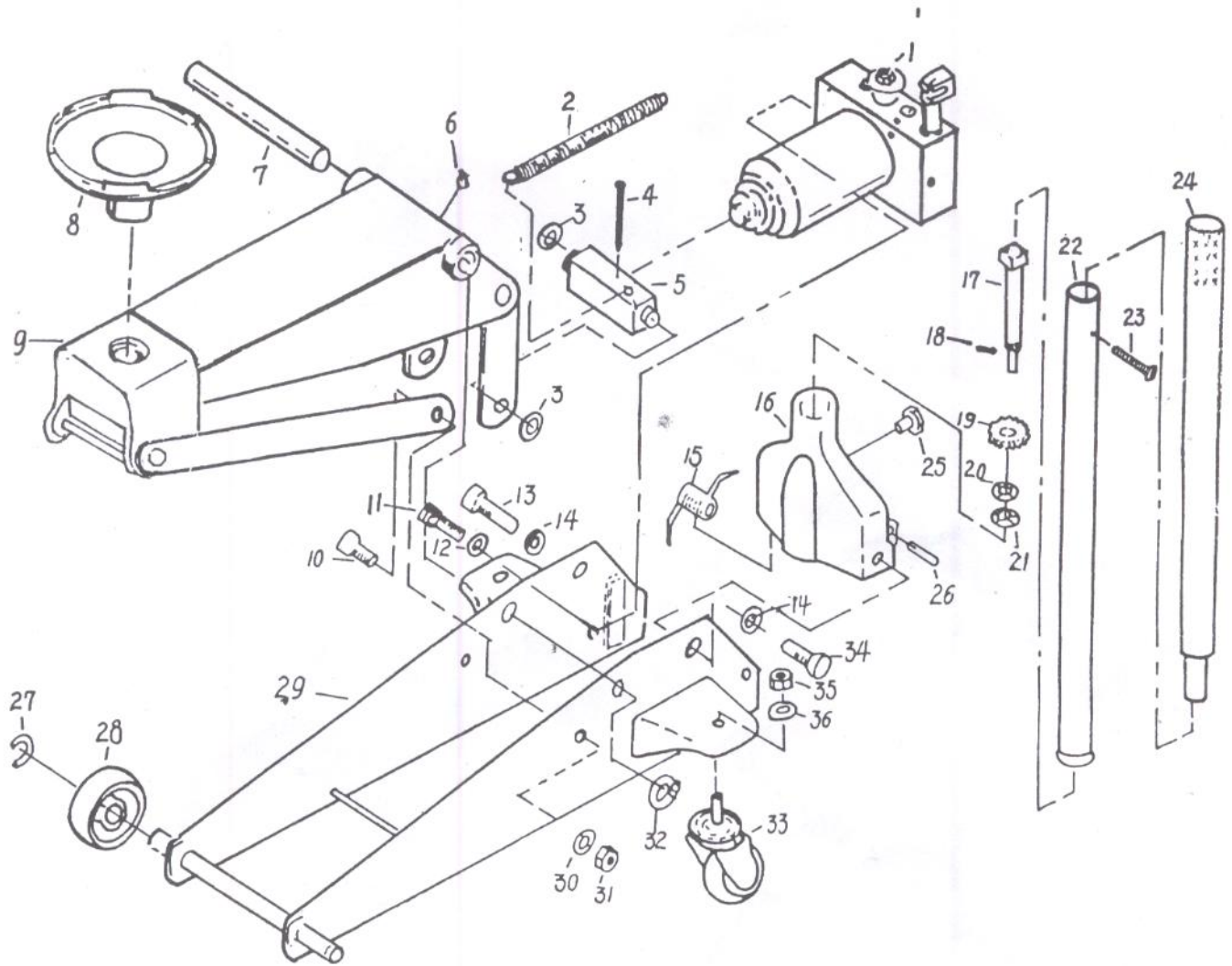


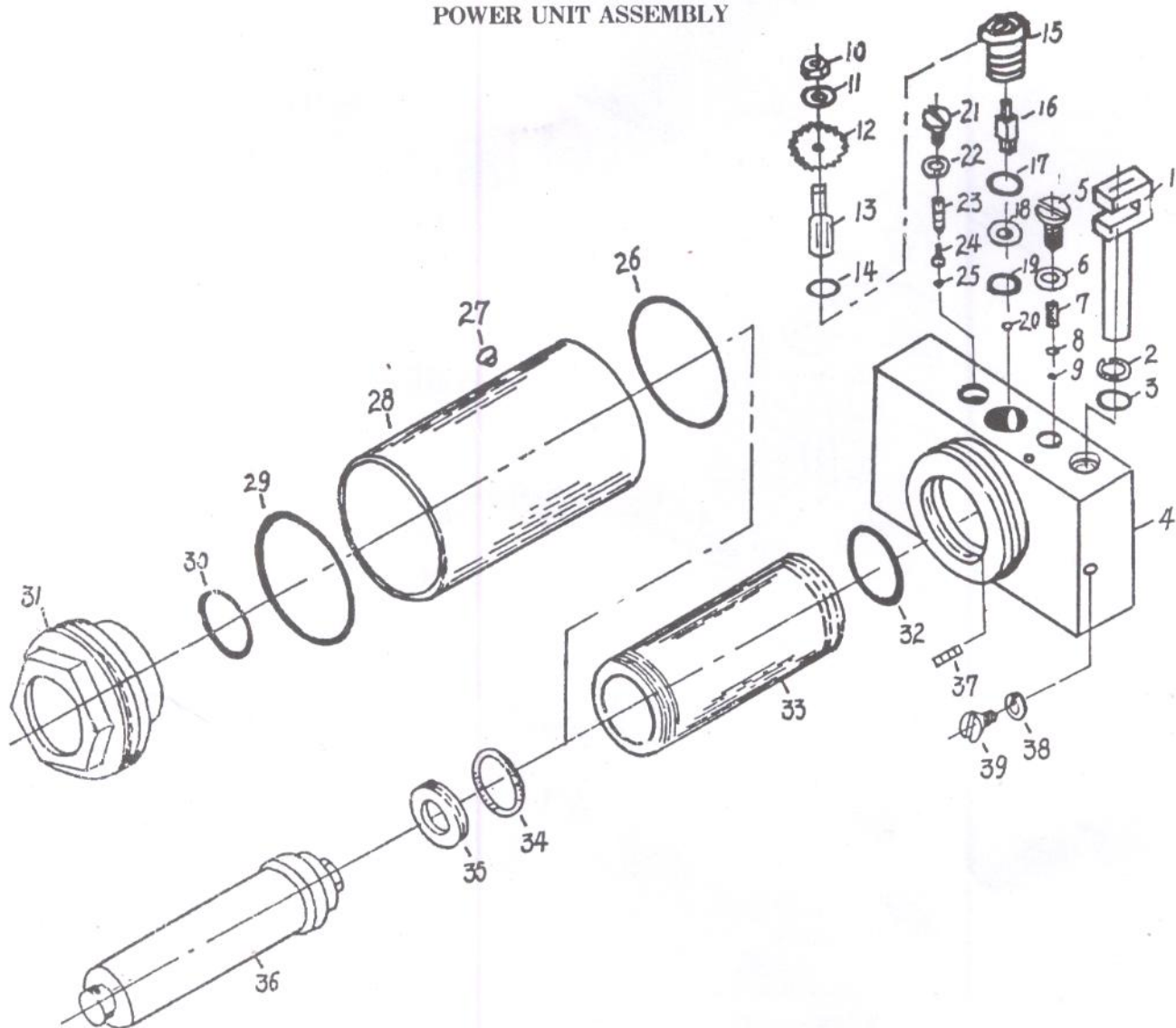
REPAIR PARTS LIST



ITEM	CODE NAME	SPARES NAME	QTY.	ITEM	CODE NAME	SPARES NAME	QTY.
1	T82257.2	CYLINDER ASSEMBLY	1	21	GB6172 - 86	NUT M10	1
2	QLZ2A - 20	RETURN SPRING	1	22	QLZ2A. 3a - 2	LOWER HANDLE	1
3	GB894.1 - 86	RETAINING RING	2	23	GB5780 - 86	SCREW M6 × 35	1
4	GB91 - 86	COTTER PIN	1	24	QLZ2A. 3a - 3	UPPER HANDLE	1
5	QLZ3.1 - 5	LINKING BLOCK	1	25	QLZ2C - 1a	HANDLE SOCKET SCREW	1
6	GB1152 - 79	GREASE FITTING	1	26	QLZ2C - 2	HANDLE SOCKET PIN	1
7	QLZ3 - 8	SUPPORTING SHAFT	1	27	GB896 - 86	RETAINING RING	2
8	QLZ2C.7	SADDLE ASSEMBLY	1	28	QLZ2C - 6	FRONT WHEEL	2
9	QLZ3.1a	LIFTING ARM ASSEMBLY	1	29	T82257.1	WALL PLATE ASSEMBLY	1
10	QLZ3 - 7	LINKING BOLT	2	30	GB859 - 87	WASHER 16	2
11	GB70 - 85	SCREW M12 × 25	2	31	GB6172 - 86	NUT M16	2
12	GB859 - 87	WASHER 12	2	32	GB894.1 - 86	RETAINING RING	2
13	QLZ2C - 5	BOLT	1	33	QLZ2C.5	REAR WHEEL ASSEMBLY	2
14	GB93 - 87	WASHER 18	2	34	QLZ2C - 3a	LEFT BOLT	1
15	QLZ2C - 4	TORSION SPRING	1	35	GB6170 - 86	NUT M12	2
16	QLZ3.2 - 1a	HANDLE SOCKET	1	36	GB93 - 87	WASHER 12	2
17	QLZ2C.3 - 2b	GEAR SHAFT	1	37			
18	GB91 - 86	COTTER PIN	1	38			
19	QLZ2C.3 - 3a	GEAR	1	39			
20	GB93 - 87	WASHER 10	1	40			

REPAIR PARTS LIST

POWER UNIT ASSEMBLY



ITEM	CODE NAME	SPARES NAME	QTY.
1	QLZ3.4-8	PLUNGER	1
2	QLZ3.4-6	BACK-UP RING	1
3	GB3452.1-82	O-RING	1
4	QLZ2C.6-1a	BASE PLATE	1
5	QLZ2A.6-10	PLUG SCREW	1
6	QLZ2C.6-16a	WASHER	1
7	QLZ2A.6-11	SPRING	1
8	GB308-84	BALL 9.0000	1
9	GB308-84	BALL 6.0000	1
10	GB6172-86	TANK NUT M12	1
11	GB93-87	WASHER 12	1
12	QLZ2C.6-3a	WINDING GEAR WHEEL	1
13	QLZ2A.6-6	RELEASE VALVE SHAFT	1
14	GB3452.1-82	26501500	1
15	QLZ2C.6-4	RELEASE VALVE NUT	1
16	QLZ2C.6-5	RELEASE VALVE WICK	1
17	QLZ2A.6-20	STEEL WASHER	1
18	QLZ2A.6-7	SQUARE WASHER	1
19	QLZ2A.6-2	ALUMINUM WASHER	1
20	GB308-84	BALL 6.0000	1

ITEM	CODE NAME	SPARES NAME	QTY
21	QLQ2.1-13	PLUG SCREW	1
22	QLQ2.1-14	O-RING	1
23	QLQ2.1-15	SPRING	1
24	QLZ2C.6-15a	SPRING BASE	1
25	GB308-84	BALL 3.0000	1
26	QLZ2A.6-18	U-WASHER	1
27	QYL8-29	OIL PLUG	1
28	QLZ2C.6-9	RESERVOIR	1
29	GB3452.1-82	35506500	1
30	GB3452.1-82	35503350	1
31	QLZ3.4-3	TOP CUP	1
32	QLZ3.4-15	BASE PLATE WASHER	1
33	QLZ3.4-2	CYLINDER	1
34	GB3452.1-82	35503450	1
35	QYL8-18	BOWL WASHER	1
36	QLZ3.4-4	PISTON ROD	1
37	QLZ3.4-12	FILTER OIL TUBE	1
38	QLZ2C.6-17a	WASHER	1
39	GB70-85	SCREW	1
40			