



OWNER'S MANUAL

PNEUMATIC TRANSMISSION JACK

LIFTING RANGE: 34-1/4" - 70-7/8"



Caution:

Before use, Always read Instructions and Procedures carefully for safe operation.

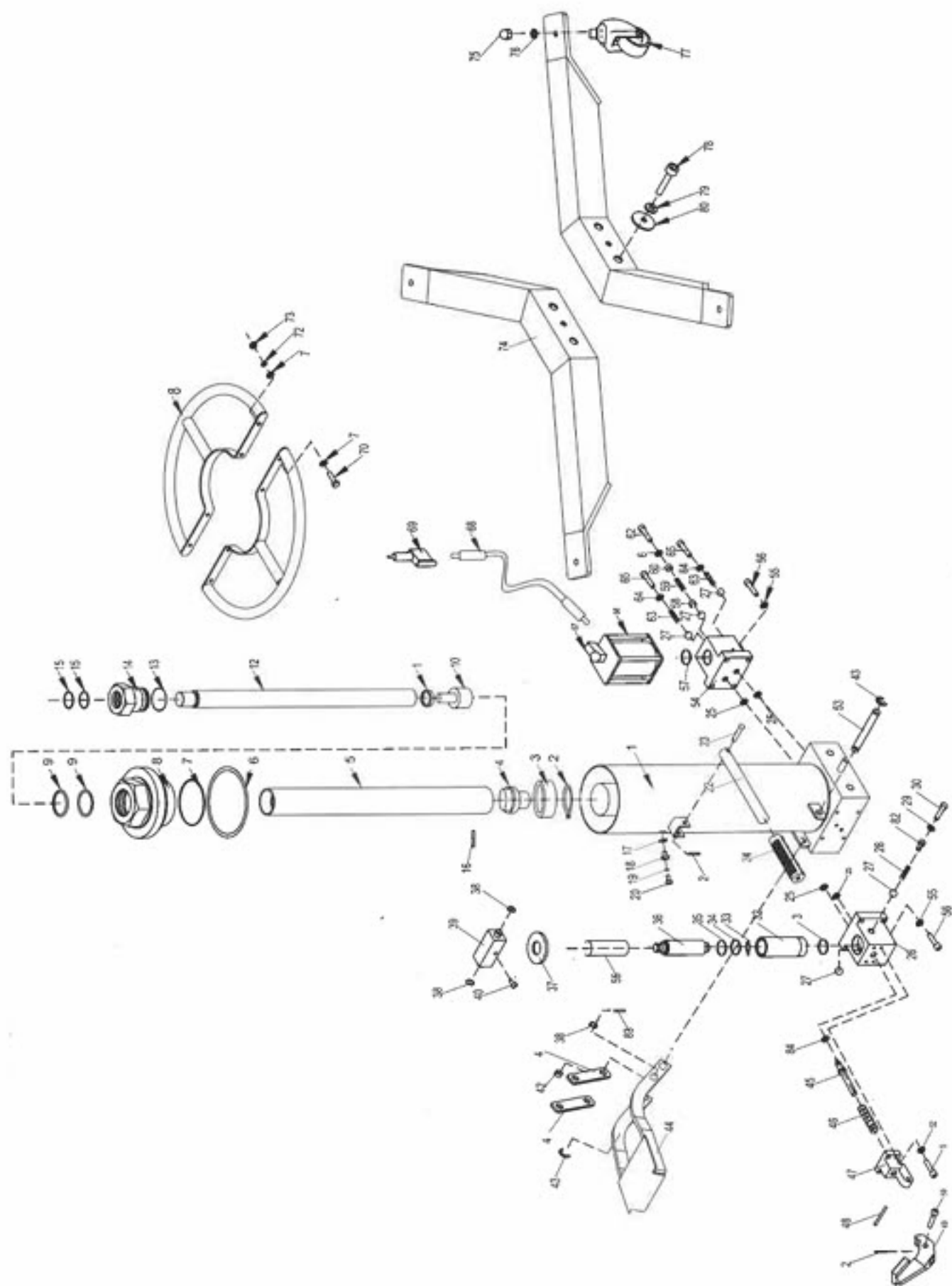
WARNING!

1. The use of this jack is limited to the removal Installation. And transportation in the lowest position of transmissions and differentials. It may be used with appropriate adaptors manufactured especially for the jack to handle other components; such as rear axle units and transfer case, within the weight limitations specified.
2. Be sure that the jack is appropriately supported before starting repairs.
3. Do not overloading can cause damage to or failure of the jack.
4. This jack is designed for use only on hard level surfaces capable of sustaining the load. Use on other than hard level surfaces can result in jack instability and possible loss of load.
5. Failure to heed these warnings may result in loss of load. Damage to jack and/or failure resulting in personal or property damage.

MAINTENANCE

- The hydraulic system is a closed system and will normally demand no maintenance.
- The mechanical parts of the pedal must be frequently lubricated with a high-quality oil.
- The oil level must not come up over the filling plug, when the transmission jack is in its lowest position.
- When the lifting saddle can be pumped up to the top position the hydraulic system is filled with enough oil.

EXPLODED DRAWING



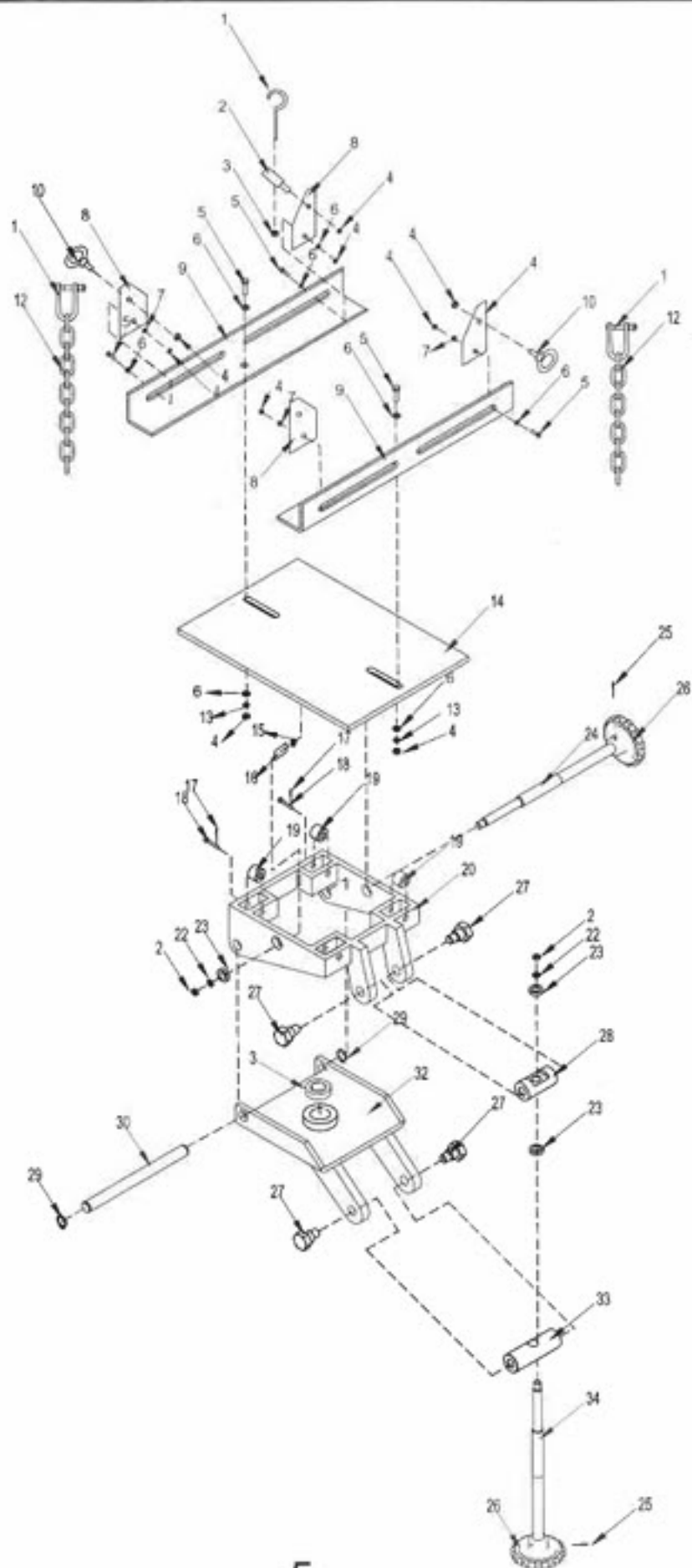
PARTS LIST

| Index No. | Description | QTY | Index No. | Description | QTY |
|------------------|---------------------|------------|------------------|---------------------|------------|
| 1 | Oiler assembly | 1 | 29 | "O" ring D8*D1.8 | 1 |
| 2 | retainer ring 40 | 1 | 30 | screw | 1 |
| 3 | plunger ring | 1 | 31 | ring | 1 |
| 4 | big plunger | 1 | 32 | pump cylinder | 1 |
| 5 | ram | 1 | 33 | retainer ring 20 | 1 |
| 6 | "O" ring D127x3.55 | 1 | 34 | seal ring | 1 |
| 7 | "O" ring D69x5.5 | 1 | 35 | NYLON ring | 1 |
| 8 | top nut | 1 | 36 | pump piston | 1 |
| 9 | "O" ring D54.5x5.3 | 2 | 37 | spring retainer | 1 |
| 10 | piston | 1 | 38 | retainer ring | 2 |
| 11 | spring washer | 1 | 39 | connect rod | 1 |
| 12 | ram | 1 | 40 | set screw M8x8 | 1 |
| 13 | "O" ring D40x3.55 | 1 | 41 | link | 2 |
| 14 | top nut | 1 | 42 | pin | 2 |
| 15 | "O" ring D34.5x3.55 | 2 | 43 | retainer ring | 2 |
| 16 | spring pin D5x12 | 1 | 44 | pedal pump piston | 1 |
| 17 | rectangle ring | 1 | 45 | release valve | 1 |
| 18 | nut | 1 | 46 | spring | 1 |
| 19 | "O" ring | 1 | 47 | base release valve | 1 |
| 20 | breathe valve | 1 | 48 | pin 6x35 | 1 |
| 21 | cotter pin | 1 | 49 | pedal release valve | 1 |
| 22 | handle | 1 | 50 | pin | 1 |
| 23 | pin | 1 | 51 | screw M6x25 | 4 |
| 24 | rubber handle | 1 | 52 | spring washer 6 | 4 |
| 25 | "O" ring D6.5x2.65 | 4 | 53 | link spindle | 1 |
| 26 | pump base | 1 | 54 | pump base | 1 |
| 27 | ball | 1 | 55 | spring | 1 |
| 28 | spring | 1 | 56 | screw M8x35 | 8 |

PARTS LIST

| Index No. | Description | QTY | Index No. | Description | QTY |
|------------------|--------------------|------------|------------------|--------------------|------------|
| 57 | washer | 1 | 70 | screw M8x30 | 4 |
| 58 | ball | 1 | 71 | washer 8 | 8 |
| 59 | spring | 1 | 72 | spring washer 8 | 4 |
| 60 | screw | 1 | 73 | screw M8 | 4 |
| 61 | "O" ring D8x1.8 | 1 | 74 | leg assembly | 2 |
| 62 | screw | 1 | 75 | nut M12 | 4 |
| 63 | spring | 2 | 76 | spring washer 12 | 4 |
| 64 | rectangle ring | 2 | 77 | caster assembly | 4 |
| 65 | screw | 2 | 78 | screw M16x95 | 4 |
| 66 | air pump | 1 | 79 | spring washer 16 | 4 |
| 67 | revolving tie-in | 1 | 80 | washer 16 | 4 |
| 68 | air hose | 1 | 81 | half ring assembly | 2 |
| 69 | switch | 1 | 82 | screw | 1 |
| | | | 83 | pin | 2 |
| | | | 84 | "O" ring | 1 |

EXPLODED DRAWING



PARTS LIST

| Index No. | Description | Index No. | Description |
|------------------|--------------------|------------------|--------------------|
| 1 | hook | 18 | pin |
| 2 | screw | 19 | trolley |
| 3 | nut | 20 | tilting saddle |
| 4 | nut M10 | 21 | nut |
| 5 | screw M10 | 22 | washer 12 |
| 6 | washer 10 | 23 | bearing |
| 8 | plate | 24 | adjustable screw |
| 9 | table-flap | 25 | pin 3 |
| 10 | screw 10 | 26 | handwheel |
| 11 | shackle | 27 | screw |
| 12 | chain | 28 | stationary rod |
| 13 | spring washer 10 | 29 | retainer ring |
| 14 | saddle kit | 30 | connect rod |
| 15 | washer 16 | 31 | nut M30 |
| 16 | bush | 32 | bottom plate |
| 17 | cotter pin | 33 | stationary rod |
| | | 34 | adjustable screw |