



# MODEL YA1228, YA1229A, YAS1229A MODEL YA1233A, YAS1233A 8 TON, 12 TON, 20 TON CAPACITY BOTTLE JACKS

## OWNER/OPERATOR MANUAL

### SAFETY INSTRUCTIONS

For your safety, *read, understand, and follow* the information provided with and on these jacks. The owner and operator of these equipments shall have an understanding of these jacks and safe operating procedures before attempting to use. The owner and operator shall be aware that use and repair of these products may require special skills and knowledge. Instructions and safety information shall be conveyed in the operator's native language before use of this jack is authorized. If any doubt exists as to the safe and proper use of this jack, remove from service immediately.

**Inspect before each use.** Do not use if there are broken, bent, cracked, or damaged parts (including labels). Any jack that appears damaged in any way, operates abnormally or is missing parts, shall be removed from service immediately. If the jack has been or suspected to have been subjected to a shock load (a load dropped suddenly, unexpectedly upon it), immediately discontinue to use until jack has been inspected by a Snap-on authorized service center. It is recommended that an annual inspection be done by qualified personnel. Labels and Operator's Manual are available from manufacturer.

### PRODUCT DESCRIPTION

Blue-Point Hydraulic bottle Jacks are designed for **lifting**, but not sustaining, loads ranging up to 20 tons. It can be used vertically or angled to 5° from vertical position. After lifting, loads must be **immediately** supported by appropriate jack stands. These jacks are **not recommended** for use in lifting or positioning construction trailers, houses and/or other building structures. These jacks comply with applicable **ASME / ANSI** Standards.

### BEFORE USE

1. Inspect before each use. Do not use if bent, broken, leaking or damaged components are noted.
2. Ensure that product and application are compatible.
3. Read the operator's manual completely and familiarize yourself thoroughly with the product and its components. Pay close attention to the potential hazards associated with its use before using this product.
4. Open the release valve (counterclockwise no more than 2 turns) with the notched end of the provided handle.
5. Locate and remove the oil filler plug with ram fully retracted.
6. Insert the handle into the handle socket.
7. Pump 6 to 8 strokes. This will help release any pressurized air which may be trapped within the reservoir.
8. Ensure the oil level is just below the oil filler plug hole.
9. Reinstall the oil filler plug.
10. Ensure that the jack operates smoothly before putting into service. Replace worn or damaged parts and assemblies with Snap-on Authorized Replacement Parts only.

### **WARNING**

- Read and understand all printed material provided with and on this product before use.
- Do not exceed rated capacity.
- Adequately support the vehicle before starting repairs.
- Do not allow any part of your body under the load while jack is supporting a load.
- Use only the saddle to lift. Never use any other part of the jack as a lifting surface.
- No alterations shall be made to this product.
- Only attachments and/or adapters supplied by the manufacturer shall be used.
- This is a lifting and lowering device only. Transfer load immediately to appropriate support device for service or repair.
- Use only on hard, level, surfaces capable of supporting rated capacity loads.
- Failure to heed these markings may result in personal injury and/or property damage.

### **ADVERTENCIA**

- Esta es una simple advertencia. Por favor lea las instrucciones y advertencias en inglés

## OPERATION

**Important:** Use the handle provided with this product or an authorized replacement handle to ensure proper release valve operation. Lift only on the vehicle manufacturer's recommended lift points and in accordance with the published guidelines in your vehicle owners manual. Always use jack stands to support the load immediately after lifting.

### Lifting

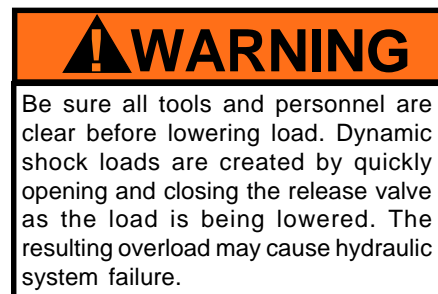
1. Secure the load with wheel chocks to prevent inadvertent shifting and movement.
2. Place the vehicle in the park gear.
3. Engage the emergency brake.
4. Position the jack near desired lift point.
5. Close the release valve by turning it clockwise with the provided handle until it is firmly closed.
6. Insert and secure handle into handle socket. Pump handle until saddle contacts load.
7. Raise load to desired height, then immediately transfer the load to appropriately rated support devices such as jack stands.

(Continued)



### Lowering

1. Raise load enough to carefully remove jack stands.
2. Insert handle onto release valve and slowly turn handle counterclockwise, but no more than 1/2 turn.
3. If load fails to lower:
  - a. Use another functioning jack to raise the vehicle high enough to reinstall the jack stands.
  - b. Carefully remove malfunctioning jack, then the jack stands.
  - c. Lower the load, again by slowly turning the release valve no more than 1/2 turn.
4. Push ram and the handle socket down to reduce exposure to rust and contamination after removing jack from load.



## MAINTENANCE

**Important:** Use only a good grade hydraulic jack oil. Avoid mixing different types of fluid and **NEVER** use brake fluid, turbine oil, transmission fluid, motor oil or glycerin. Improper fluid can cause premature failure of the jack and the potential for sudden and immediate loss of load. We recommend Mobil DTE 13M or equivalent.

### Adding Oil

1. Lower saddle fully.
2. Set jack in its upright, level position.
3. Remove oil filler plug.
4. Fill until oil is level with the filler plug hole.
5. Reinstall oil filler plug.

### Changing oil

For best performance and longest life, replace the complete fluid supply at least once per year.

1. Lower saddle fully
2. Set jack in its upright, level position.
3. Remove the oil filler plug.
4. Lay the jack on its side and drain the fluid into a suitable container.

**Note:** Dispose of hydraulic fluid in accordance with local regulations.

5. Set jack in its level upright position.
6. Fill with good quality jack oil until oil is level with the filler plug hole.
7. Reinstall oil filler plug.

### Lubrication

A periodic coating of light lubricating oil to pivot points and hinges will help to prevent rust and assure that pump assemblies move freely.

### Cleaning

Periodically check the ram for signs of rust or corrosion. Clean as needed and wipe with an oily cloth.

**Note:** Never use sandpaper or abrasive material on these surfaces !

### Storage

When not in use, store the jack with saddle in lowest position.

**- KNOW YOUR PRODUCT -**

MODEL	CAPACITY	MIN. HEIGHT	MAX. HEIGHT	EXT. SCREW	HANDLE LENGTH	BASE SIZE ( L x W )	N.W. (LBS)
YA1228	8 Ton	8 7/8"	17 5/8"	2 3/4"	18 1/8"	4 3/4" x 4 3/4"	13
YA1229A	12 Ton	9 1/2"	18 5/8"	3 1/8"	18 1/8"	5 1/4" x 5 1/8"	17
YAS1229A	12 Ton	6 1/8"	10 5/8"	1 5/8"	18 1/8"	5 1/4" x 5 1/8"	14
YA1233A	20 Ton	9 1/2"	18 5/8"	3 1/8"	18 1/8"	6 1/4" x 5 7/8"	26
YAS1233A	20 Ton	6 1/2"	11 1/4"	1 5/8"	18 1/8"	6 1/4" x 5 7/8"	21

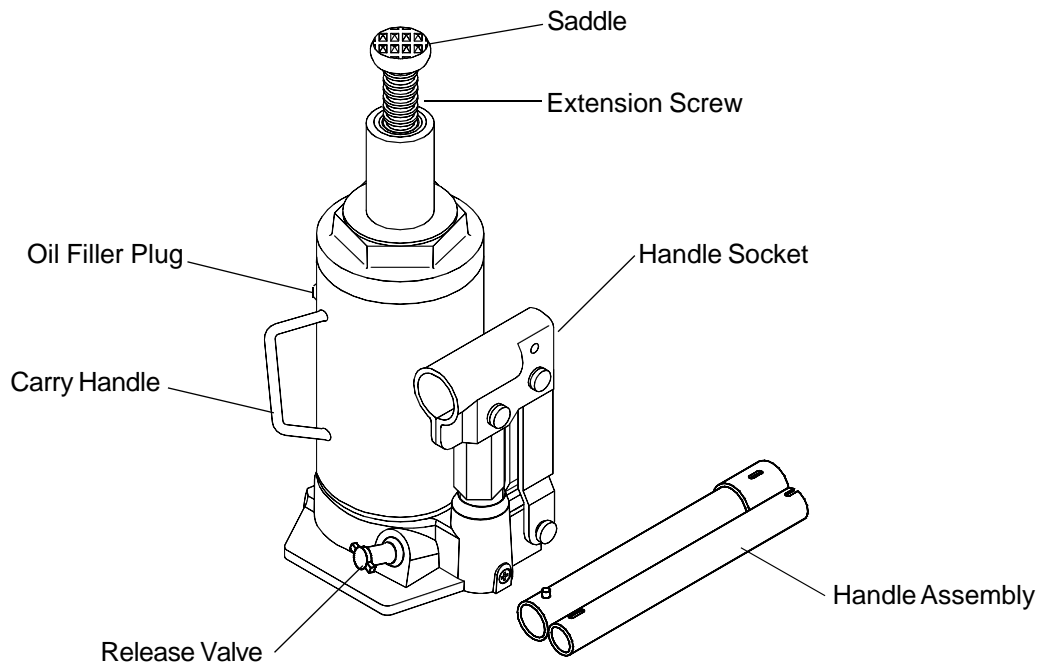


Figure 1 - Typical Bottle Jack Components

**TROUBLESHOOTING**

Symptom	Possible Causes	Corrective Action
Jack will not lift load	<ul style="list-style-type: none"> <li>• Release valve not tightly closed</li> </ul>	<ul style="list-style-type: none"> <li>• Ensure release valve tightly closed</li> </ul>
Jack bleeds off after lift	<ul style="list-style-type: none"> <li>• Hydraulic unit malfunction</li> <li>• Release valve not tightly closed</li> <li>• Overload Condition</li> </ul>	<ul style="list-style-type: none"> <li>• Contact Snap-on Technical Service</li> <li>• Ensure release valve tightly closed</li> <li>• Remedy overload condition</li> </ul>
Jack will not lower after unloading	<ul style="list-style-type: none"> <li>• Reservoir overfilled</li> </ul>	<ul style="list-style-type: none"> <li>• Drain fluid to proper level</li> </ul>
Poor lift performance	<ul style="list-style-type: none"> <li>• Fluid level low</li> <li>• Air trapped in system.</li> </ul>	<ul style="list-style-type: none"> <li>• Ensure proper fluid level</li> <li>• With ram fully retracted, remove oil filler plug to let pressurized air escape, then reinstall oil filler plug.</li> </ul>
Will not lift to full extension	<ul style="list-style-type: none"> <li>• Fluid level low</li> </ul>	<ul style="list-style-type: none"> <li>• Ensure proper fluid level</li> </ul>

## REPLACEMENT PARTS

Please refer to the Parts drawing when ordering parts. Not all components of the jack are replacement items, but are illustrated as a convenient reference of location and position in the assembly sequence. When ordering parts, give model number, serial number and description. Write for current pricing: Snap-on Tools Company, Kenosha, WI 53141-1410

Replacement parts for YA1228, YA1229A, YA1233A, YAS1229A & YAS1233A

Item #	Part #	Description	Qty.
1	590-5-0010-0000	Oil Filler Plug	1
2	B08-0-5000-0000	Handle Assembly	1
3	B02-0-4000-1000	Release Valve	1
-	B0800S-033	Repair Kit for YA1228	-
-	B12-0-0S03-4XX	Repair Kit for YA1229A & YAS1229A	-
-	B20-0-0S03-4XX	Repair Kit for YA1233A & YAS1233A	-

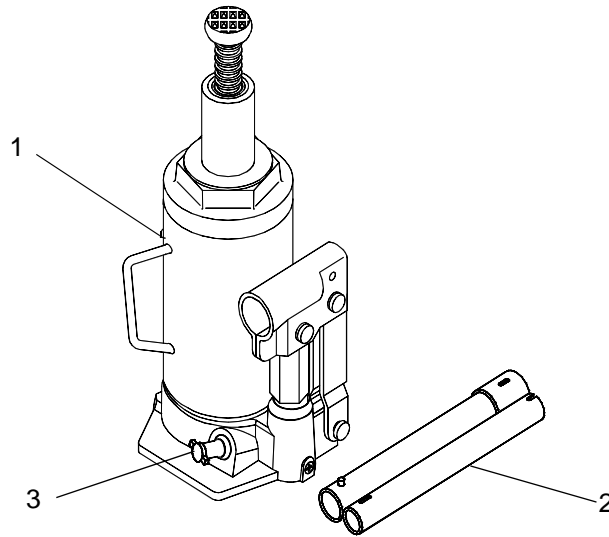


Figure 2 - Replacement Parts Illustration for YA1228, YA1229A and YA1233A

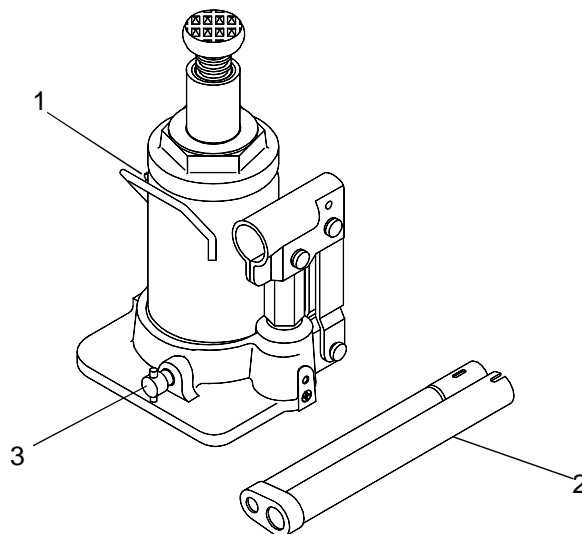


Figure 3 - Replacement Parts Illustration for YAS1229A and YAS1233A

---

## LIMITED WARRANTY STATEMENT

Snap-on Tools warrants this product to be free from defects in material and workmanship for a period of 1 year from date of purchase. This warranty applies to the original purchaser (end user) only and is not transferable. Damaged components and assemblies i.e. bent ram and pump pistons, dented reservoirs, cracked or altered components, are the result of mis-use, mis-application or a combination of both. These conditions will not be considered for warranty credit. We have complete confidence that the Snap-on product you purchase will meet or exceed your performance requirement. However in the unlikely event that a Snap-on product fails due to material or workmanship defect within the warranty period you may contact your retailer for disposition or you may contact an Authorized Service Center listed in the product owner's manual. Except where such limitations and exclusions are specifically prohibited by law, the consumer's sole and exclusive remedy shall be the repair or replacement of the defective product. Snap-on shall not be liable for any consequential or incidental damage or loss whatsoever, and the duration of any and all expressed and implied warranties, including without limitation, any warranties of merchantability and fitness for a particular purpose, is limited to a period of 1 year from date of purchase. Some States do not allow the exclusion or limitation of incidental or consequential damages, so the above may not apply to you. This warranty gives you specific legal rights. You may also have other rights which vary from state to state.

---

Manufactured for Snap-on Tools Company  
2801 80<sup>th</sup> Street Kenosha, WI 53141-1410  
Made in China





