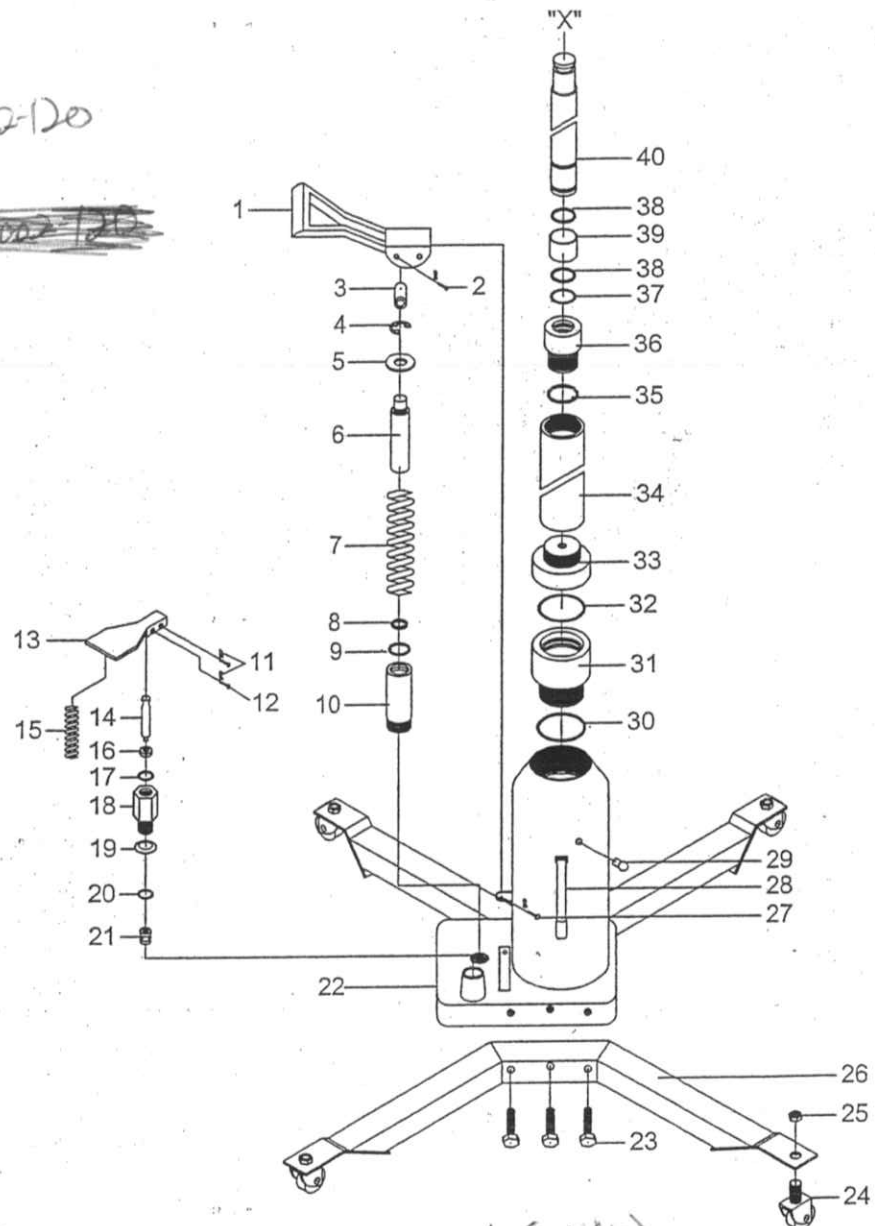


W93724, 170-023-001 1/2 Ton Professional Transmission Jack

SERVICE SHEET

Item	Description	Kit
1	Pump Pedal	B
2	Pin	B
3	Bushing	B
4	E-clip	-
5	Washer	-
6	Pump Piston	-
7	Spring	B
8	Seal	A
9	Seal	A
10	Pump Cylinder	-
11	Cotter Pin	B
12	Pin	B
13	Release Pedal	B
14	Release Piston	-
15	Spring	B
16	Seal	A
17	Seal	A
18	Release Cylinder	-
19	Seal Cap	A
20	Seal	A
21	Valve	A
22	Base Assembly	-
23	Base Bolt	-
24	Caster	E
25	Nut	E
26	Leg	-
27	Pin	B
28	Handle	B
29	Filler Plug	A
30	Seal	A
31	Tank Nut	-
32	Seal	A
33	Ram Stop Ring	-
34	Ram	-
35	Seal	A
36	Ram Connector	-
37	Seal	A
38	Ring	-
39	Spacer	-
40	Ram	-

137-002-120
~~137-002-120~~



pump piston assembly 137-002-121 (#4-10)

Kits	Description	Part Number
A	Hyd. Unit Rebuild Kit	137-001-122
B	Pedal and Handle Replacement Kit	137-001-123
C	Head Assembly Replacement (Top)	137-001-124
D	Head Assembly Replacement (Bottom), Assembled	137-001-125
E	(1) Caster Replacement Kit	137-001-126
F	(1) Head Adapter and Chain Assembly Replacement Kit	137-001-127

137-001-125 head assembly

serial number starts "SM" followed by 6 numbers

W93724, ~~170-023-001~~ 1/2 Ton Professional Transmission Jack

Item	Description	Kit
41	Chain Assembly	F
42	Wing Nut	F
43	Adapter Bolt	F
44	Adapter	F
45	Screw	C
46	Top Plate	C
47	Top Roller	D
48	Bottom Roller	D
49	Cradle Cage	D
50	Ram Socket	D
51	Pin	D
52	Pivot Screw	D
53	Grip Sleeve	B,D
54	Grip	B,D
55	Retaining Ring	B,D
56	Adjustment Screw	D
57	Adjustment Nut	D
58	Spacer	D
59	Cotter Pin	D
60	Conneting Pin	D
61	Adjustment Screw	D
62	Cotter Pin	D
63	Washer	D
64	Retaining Ring	D
65	Adjustment Nut	D
66	Adjustment Ass'y	D
67	Retaining Ring	D
68	Cradle	D
69	Bottom Roller Pin	D
70	Top Roller Pin	D

