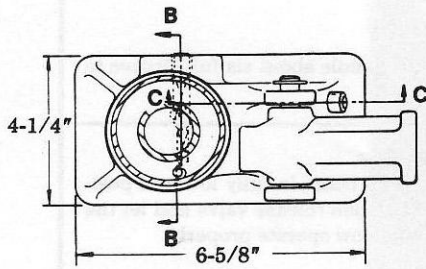


KNOCK-DOWN CRANES

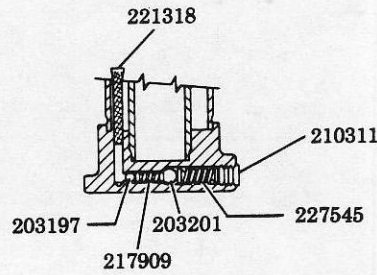
2 TON CAPACITY

Model 91-805, 93805 95805, YA-705

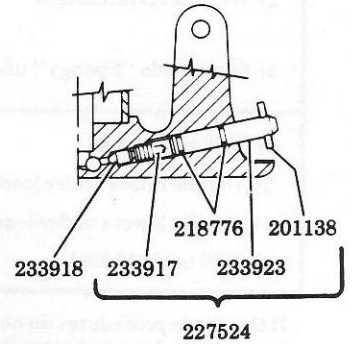
Series "B"



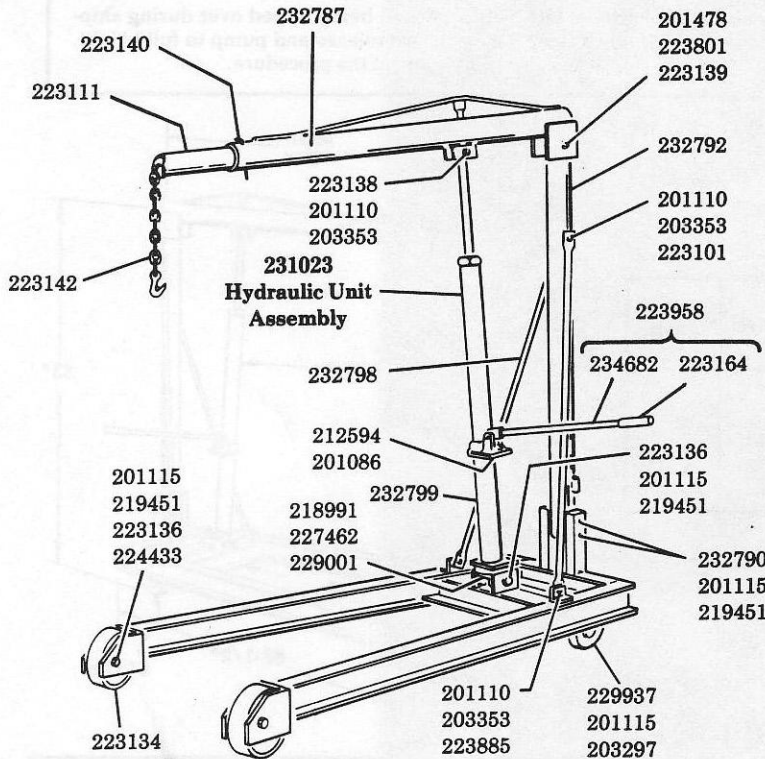
SECTION A-A



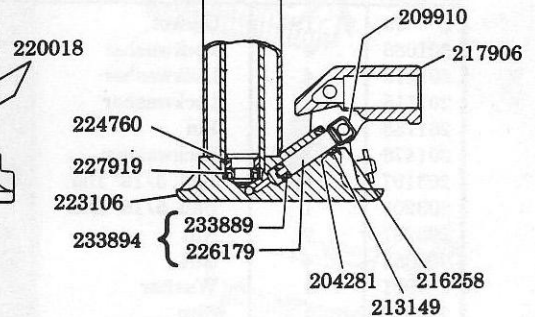
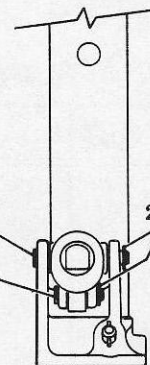
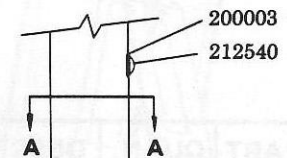
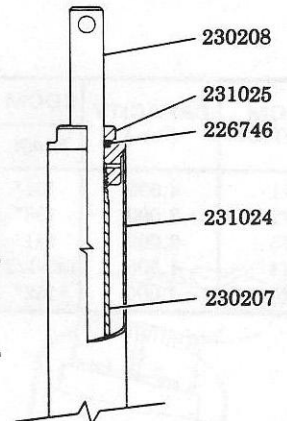
SECTION B-B



SECTION C-C



**231023
HYDRAULIC UNIT
ASSEMBLY**



MODEL	LABEL KIT NO.	REPAIR KIT NO.
91-805	240056	91-398
93805	240057	240509
95805	240058	240509
YA-705	240059	240509

LINCOLN ST. LOUIS
4010 GOODFELLOW BLVD. • ST. LOUIS, MO. 63120 • (314) 679-4200



A DIVISION OF
McNEIL
CORPORATION

SECTION - **W5**
PAGE - **6**

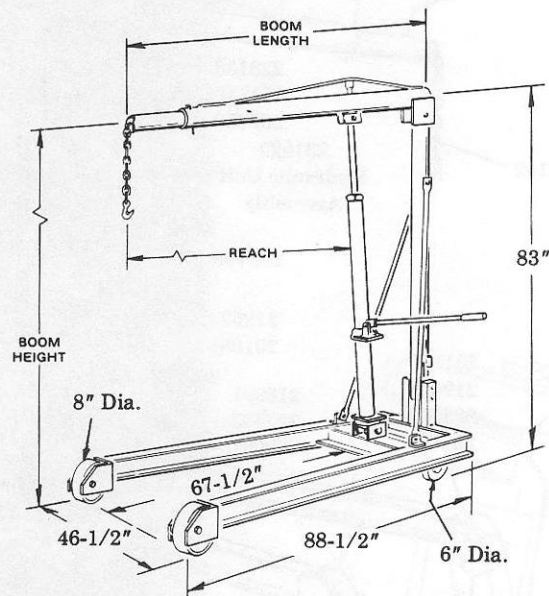
TROUBLE SHOOTING

PROBLEM	SOLUTION
1) Will not lift load 2) Will not lift full height 3) Pump feels "Spongy" under load	The Jack could be low on oil- Refer to Instruction Manual. See instruction #5 under Maintenance Instructions. The Jack could be air-bound- Open the release valve one full turn and pump the handle about six full strokes to purge air from the pump and valving.
1) Will not lift load 2) Handle raises under load 3) Handle lowers under load 4) Will not hold load	Valve might not be closing- Make certain release valve is closed. Starting with boom in fully lowered position, SLOWLY raise the boom a few feet by hand. Open release valve and let the boom descend into lowered position. Crane should now operate properly.

If the above procedures do not correct the problem, contact your nearest service depot. When submitting any jack or equipment to be repaired, be sure to state the nature of the problem and indicate whether an estimate of the repair cost is needed.

IMPORTANT: As with any hydraulic unit, this unit may occasionally become "air-bound" due to being tipped over during shipment. To purge the air from the oil lines, open the release and pump rapidly a few strokes. Close release and pump to full height, then open the release to allow the ram to descend rapidly. If the pump still seems "spongy", repeat the procedure.

BOOM POSITION	CAPACITY (lbs.)	BOOM HEIGHT		BOOM LENGTH	REACH	CHAIN SIZE
		MAX.	MIN.			
#1	4,000	131"	52"	66"	46"	1/2"
#2	3,000	136"	49-1/2"	72"	52"	1/2"
#3	2,000	141"	47"	78"	58"	1/2"
#4	1,500	143-1/2"	45-1/2"	81-1/2"	61"	1/2"
#5	1,000	152"	41"	92"	72"	1/2"



SERVICE PARTS

PART	QUAN.	DESCRIPTION	PART	QUAN.	DESCRIPTION	PART	QUAN.	DESCRIPTION
200003	1	Gasket	220018	2	Retaining ring	227524	1	Release stem
201086	4	Lockwasher	220019	1	Fulcrum pin	227545	1	Spring
201110	4	Lockwasher	220021	1	Pump pin	227919	1	U-cup
201115	7	Lockwasher	221318	1	Screen	229001	1	Thrust bearing
201138	1	Pin	223101	1	Bolt	229937	2	Caster (rear)
201478	1	Lockwasher	223106	1	Base	230207	1	Cylinder
203197	1	Ball, 3/16" Dia.	223111	1	Inner boom	230208	1	Ram
203201	1	Ball, 5/16" Dia.	223134	2	Wheel (front)	231023	1	Hydraulic unit ass'y.
203297	2	Nut	223136	3	Bolt	231024	1	Oil tank
203353	4	Nut	223138	1	Bolt	231025	1	Tank nut
204281	1	Washer	223139	1	Bolt	232787	1	Main boom
209910	1	Clip	223140	1	Position pin	232790	2	Bolt
210311	1	Pipe plug	223142	1	Lifting chain & hook	232792	1	Column assembly
212540	1	Filler screw	223164	1	Handle grip	232798	2	Brace
212594	4	Bolt	223801	1	Nut	232799	1	Riser assembly
213149	1	Packing ring	223885	2	Bolt	233889	1	U-cup
216258	1	Cover	223958	1	Handle & grip ass'y.	233894	1	Pump assembly
217906	1	Handle socket	224433	2	Bushing	233917	1	Spring
217909	1	Spring	224760	1	Heel plate	233918	1	Release valve poppet
218776	2	O-ring	226179	1	Piston	233923	1	Release stem
218991	1	Roll pin	226746	1	Quad ring	234682	1	Handle
219451	5	Nut	227462	1	Yoke			