



MODEL YA692D/YA696D 10 TON/ 2-1/2 TON CAPACITY AIR OPERATED END LIFT

OWNER/OPERATOR MANUAL

SAFETY INSTRUCTIONS

For your safety, *read, understand, and follow* the information provided with and on this jack. The owner and operator of this equipment shall have an understanding of this device and safe operating procedures before attempting to use. The owner and operator shall be aware that use and repair of this product may require special skills and knowledge. Instructions and safety information shall be conveyed in the operator's native language before use of this device is authorized. If any doubt exists as to the safe and proper use of this device, remove from service immediately.

Inspect before each use. Do not use if there are broken, bent, cracked, or damaged parts (including labels). Any device that appears damaged in any way, operates abnormally or is missing parts, shall be removed from service immediately. If the device has been or suspected to have been subjected to a shock load (a load dropped suddenly, unexpectedly upon it), immediately discontinue to use until jack has been inspected by a Snap-on authorized service center. It is recommended that an annual inspection be done by qualified personnel. Labels and Operator's Manual are available from manufacturer.

PRODUCT DESCRIPTION

Snap-on Air Operated End Lifts are designed to lift, but not sustain, rated capacity loads. **Intended use:** To engage the metal bumper of a vehicle and raise for the purpose of service and/or repair of vehicle components. After lifting, loads must be immediately supported by appropriately rated jack stands. Check vehicle's factory service and/or repair manual for proper lift points.

BEFORE USE

1. Verify that the product and the application are compatible.
2. Read this manual completely and familiarize yourself thoroughly with the product, its components and recognize the potential hazards associated with its misuse **before** using this product.
3. Ensure that jack rolls freely, the air cylinder operates smoothly, raises and lowers the unloaded saddle throughout the lift range before putting into service.
4. Ensure the jack is loaded on center with the saddles placed equal distance from the center.
5. Replace worn or damaged parts and assemblies with Snap-on replacement parts only. (See Replacement Parts section). Lubricate as instructed in Maintenance section.
6. Connect air nipple (not provided) to air input port before connecting air hose.

Note: Use only NPT thread size air nipple. Tighten securely to prevent accidental removal of components while in use. Take care not to introduce compound into port orifices.

WARNING

- Study, understand, and follow all instructions provided with and on this device before operating this device.
- Do not exceed rated capacity.
- This is a lifting device only.
- Center load on saddle.
- Never lift vehicle which cannot roll freely forward and backward during lift.
- After lifting, immediately transfer the load to appropriately rated vehicle stands.
- Never work on, under, or around a load supported only by this device.
- Use only on hard, level surfaces capable of sustaining rated capacity loads.
- Do not move or dolly loads with this device.
- Do not modify this device.
- Do not use adapters or accessories that are not provided initially.
- Lift only on areas of the vehicle as specified by the vehicle manufacturer.
- Failure to heed these markings may result in personal injury and/or property damage.

ADVERTENCIA

- Esta es una simple advertencia. Por favor lea las instrucciones y advertencias en inglés

OPERATION

Lifting

1. Ensure that the vehicle is on a flat, hard and level surface and is free to roll forward and backward during the lift.
2. Connect 1/4" NPT air nipple (not provided) and air hose to air input port.
3. To adjust the location of the lifting beams, unscrew the locking bolt and nut. Adjust lifting beams to suitable length. (see Figure 1)

⚠ Caution: To reduce the risk of personal injury and property damage, NEVER extend lifting beams beyond locked position.

4. For low pickup height, rotate the beams 180 degrees.
5. Make sure both saddles are positioned directly under the vehicle manufacturer's recommended lift points.
6. To raise jack, slowly push the lift control lever toward the right until saddles contact with the lift point. **!STOP! RELEASE THE LIFT CONTROL LEVER!** Confirm that the saddles are positioned correctly, then continue to push the lever until load reaches desired height. Simply release the lever to stop.
7. Transfer the load immediately to appropriately rated jack stands (**always** used in pairs).

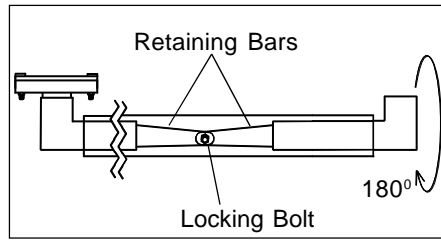


Figure - 1

Lowering

1. Raise load high enough to clear the jack stands, then carefully remove jack stands.
2. Slowly lower the load by disengaging safety bar* and push lift control lever toward the left.

* **To disengage safety bar:** Push safety bar lever towards front end of the jack.



MAINTENANCE

1. Lubricate all moving parts with oil/grease.
2. A periodic coating of light lubricating oil to pivot points, axles and hinges will help to prevent rust and ensure that wheels and caster assemblies move freely.
3. When not in use, store the end lift with cylinder fully lowered.

TROUBLESHOOTING

Symptom	Possible Causes	Corrective Action
Jack will not lift load	<ul style="list-style-type: none"> • Air pressure too low • Air hose kinked or plugged • Air hose inner diameter too small • Air cylinder / components damaged 	<ul style="list-style-type: none"> • 200 psi minimum air pressure required to lift rated load • Remove kinks and obstruction from air hose • Consult air compressor manufacturer for the correct size of hose • Contact Snap-on repair center
Jack will not lower after unloading	<ul style="list-style-type: none"> • Safety bar engaged • Structural damage to jack assembly 	<ul style="list-style-type: none"> • Press lift control valve to raise jack slightly, then disengage safety bar • Contact Snap-on repair center
Jack raises or lowers with jerky motion	<ul style="list-style-type: none"> • Cylinder need lubrication 	<ul style="list-style-type: none"> • Apply #630-AAA LUBRIPLATE to cylinder wall

- KNOW YOUR PRODUCT -

(refer to page 4 for model YA696D)

MODEL	CAPACITY	MIN. HEIGHT	MAX. HEIGHT	POWER RAISE	SADDLE SPREAD	MIN. PSI FOR RATED LOAD
YA692D	10 Ton	12-1/2"	50-1/2"	28"	25" to 53"	200

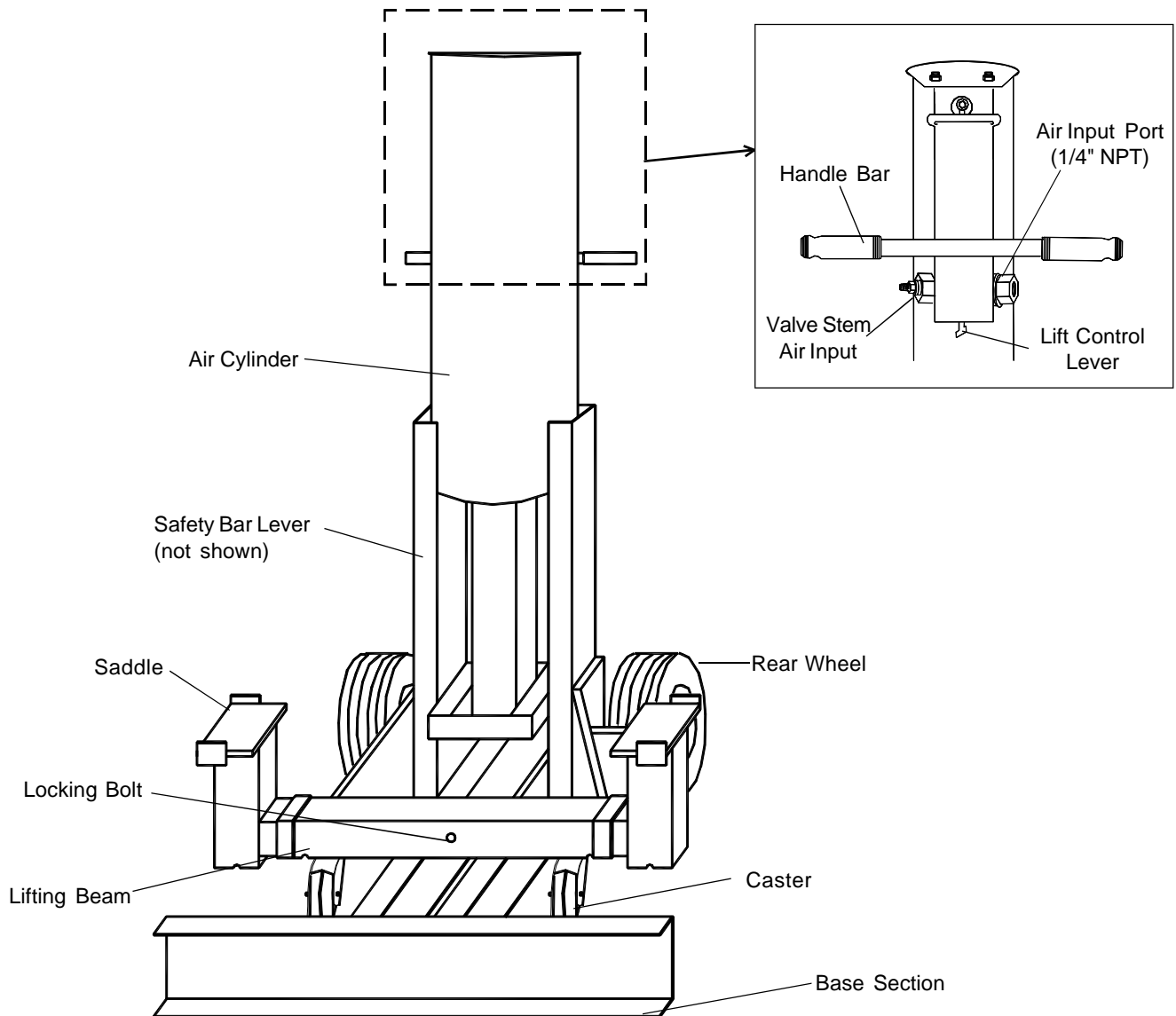


Figure 2 - Model YA692D 10 Ton Air Operated End Lift Components

- KNOW YOUR PRODUCT -

(refer to page 3 for model YA692D)

MODEL	CAPACITY	MIN. HEIGHT	MAX. HEIGHT	POWER RAISE	SADDLE SPREAD	MIN. PSI FOR RATED LOAD
YA696D	2-1/2 Ton	8"	35-3/8"	24-3/4"	23-1/4" to 41-1/4"	200

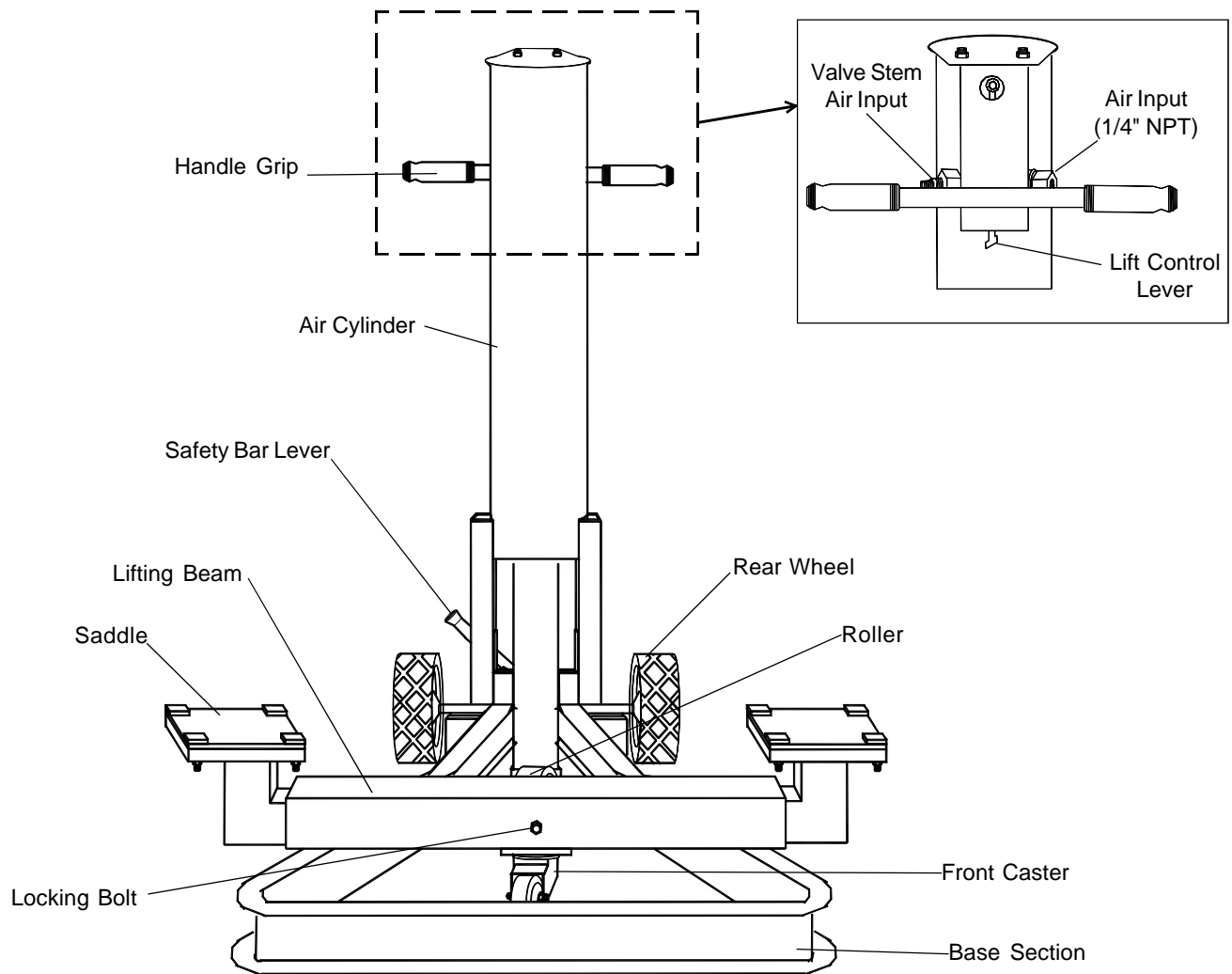


Figure 3 - Model YA696D 2 1/2 Ton Air Operated End Lift Components

REPLACEMENT PARTS

Not all components of the end lift are replacement items, but are illustrated as a convenient reference of location and position in the assembly sequence. When ordering parts, give Model number, serial number and parts description below. Write for current pricing: Snap-on Tools Company, Kenosha, WI 53141-1410

Replacement Parts List for YA692D

Item#	Part#	Description	Qty.
1	N/A	Base Assembly	1
2	690-002-002	Wheel	2
3	690-002-003	Cotter Pin	2
4	690-002-004	Hex. Head Bolt	1
5	690-002-005	Hex. Nut	1
6*	690-002-006	Hex. Nut	1
7*	690-002-007	Hex. Head Bolt	1
8#	690-002-008	Ring (One Piece)	1
9	690-002-009	Seal Bearing	1
10#	690-002-010	Cup Seal	1
11	690-002-011	Washer	1
12*	690-002-012	Hex. Head Bolt	1
13	690-002-013	Air Valve Cover	1
14	690-002-014	Pipe Plug	1
15	690-002-015	Elbow Fitting	1
16	690-002-016	Air Line	1

Item#	Part#	Description	Qty.
17	690-002-017	Aiv Valve	1
18*	690-002-018	Hex. Nut	2
19	N/A	Lift Cylinder Assem	1
20*	690-002-020	Hex. Bolt	1
21*	690-002-021	Hex. Nut	1
22	690-002-022	Grip	1
23	690-002-023	Saddle	2
24	690-002-024	Lifting Beam Extens	2
25	690-002-025	Locking Pin	2
26	690-002-026	Roller	1
27	690-002-027	Locking Bolt	1
28	690-002-028	Caster	2
(*)	690-002-099	Hardware Kits	-
(#)	690-002-029	Repair Kit	-
-	YA692D-L0	Label	-
-	YA692D-M0	Manual	-

* Hardware Kit includes item # 6, 7, 12, 18, 20 & 21
Repair Kit includes item #8 & 10

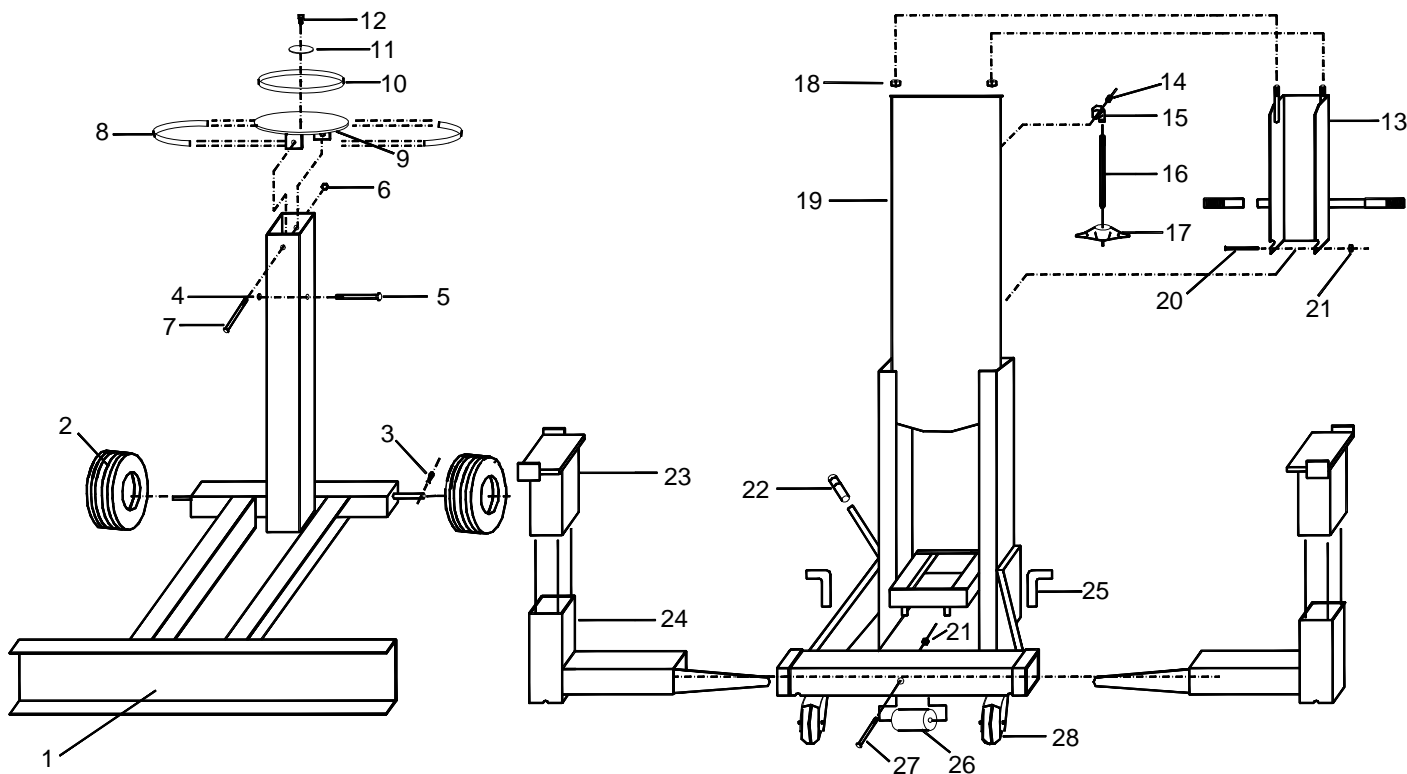


Figure - 4 YA692D 10 Ton Air Operated End Lift Replacement Parts Illustration

REPLACEMENT PARTS

Not all components of the end lift are replacement items, but are illustrated as a convenient reference of location and position in the assembly sequence. When ordering parts, give Model number, serial number and parts description below. Write for current pricing: Snap-on Tools Company, Kenosha, WI 53141-1410

Replacement Parts List for YA696D

Item	Part#	Description	Qty.
1	N/A	Base Assembly	1
2	696-002-002	Wheel, 8"	2
3	696-002-003	Air Valve Cover	1
4	696-002-004	Stop Bolt	1
5	696-002-005	Piston Bolt	1
6	696-002-006	Piston	1
7#	696-002-007	Piston Ring	1
8#	696-002-008	Cup Packing	1
9	696-002-009	Cup Washer	1
10	696-002-010	Cup Bolt	1
11	N/A	Lift Cylinder Assem	1
12	696-002-012	Street Tee	1
13	696-002-013	Plug	1

Item#	Part#	Description	Qty.
14	696-002-014	Pipe Nipple	1
15	696-002-015	Air Valve	1
16	696-002-016	Handle Grip	2
17	696-002-017	Safety Bar Lever	1
18	696-002-018	Roller Bolt	1
19	696-002-019	Roller	1
20	696-002-020	Caster	1
21	696-002-021	Lifting Beam Extension	2
22	696-002-022	Saddle	2
23	696-002-023	Rubber Pad	2
(#)	696-002-024	Repair Kit	-
-	YA696D-L0	Label	-
-	YA692D-M0	Manual	-

Repair Kit includes item# 7 & 8

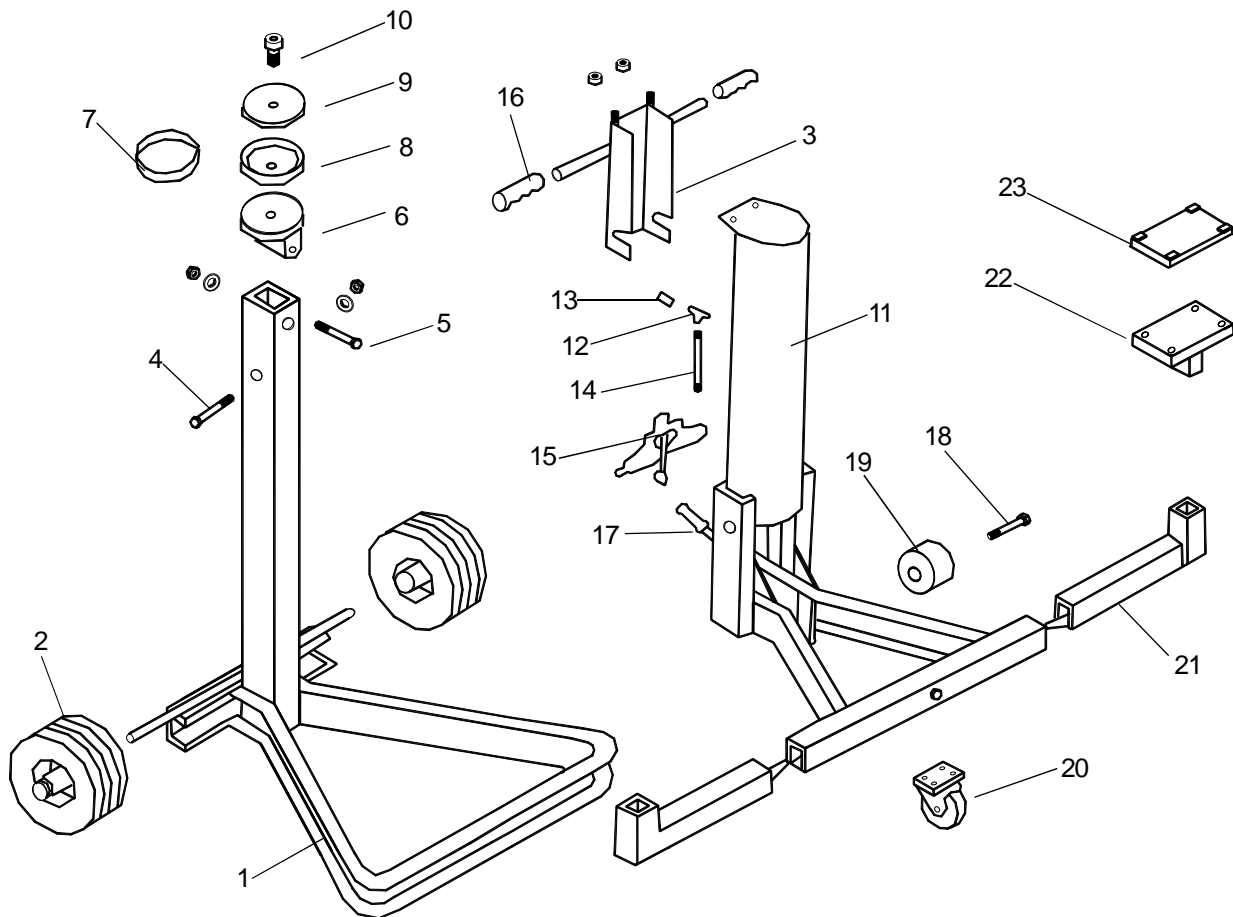


Figure - 5 YA696D 2-1/2 Ton Air Operated End Lift Replacement Parts Illustration

LIMITED WARRANTY STATEMENT

Snap-on Tools warrants this product to be free from defects in material and workmanship for a period of 2 years from date of purchase. This warranty applies to the original purchaser (end user) only and is not transferable. Damaged components and assemblies i.e. bent ram and pump pistons, dented reservoirs, cracked or altered components, are the result of mis-use, mis-application or a combination of both. These conditions will not be considered for warranty credit. We have complete confidence that the Snap-on product you purchase will meet or exceed your performance requirement. However in the unlikely event that a Snap-on product fails due to material or workmanship defect within the warranty period you may contact your retailer for disposition or you may contact an Authorized Service Center listed in the product owner's manual. Except where such limitations and exclusions are specifically prohibited by law, the consumer's sole and exclusive remedy shall be the repair or replacement of the defective product. Snap-on shall not be liable for any consequential or incidental damage or loss whatsoever, and the duration of any and all expressed and implied warranties, including without limitation, any warranties of merchantability and fitness for a particular purpose, is limited to a period of 2 years from date of purchase. Some States do not allow the exclusion or limitation of incidental or consequential damages, so the above may not apply to you. This warranty gives you specific legal rights. You may also have other rights which vary from state to state.

Manufactured for Snap-on Tools Company
2801 80th Street Kenosha, WI 53141-1410
Made in USA

