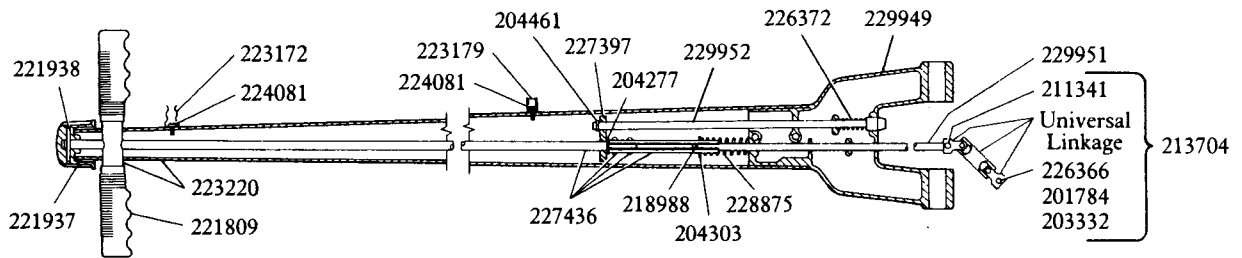
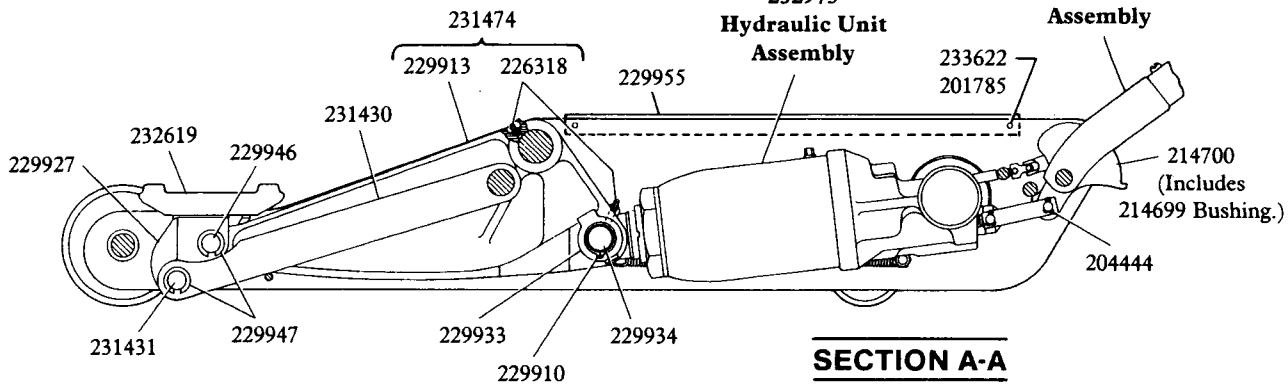
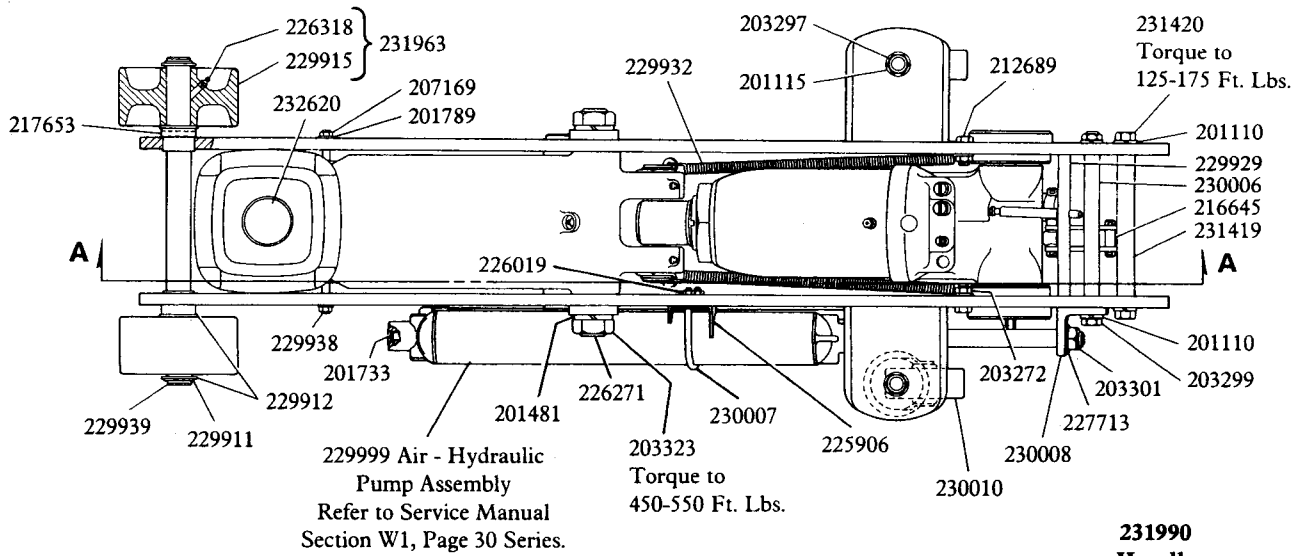


AIR/MANUAL HYD. SERVICE JACK

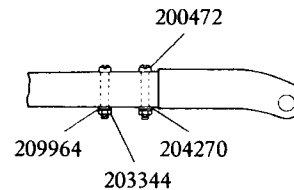
10 TON CAPACITY

Models 91-662
93662, YA-662

Series "C"



MODEL	LABEL KIT NO.	REPAIR KIT NO.
91-662	240179	91-419
93662	240180	240547
YA-662	240222	240547

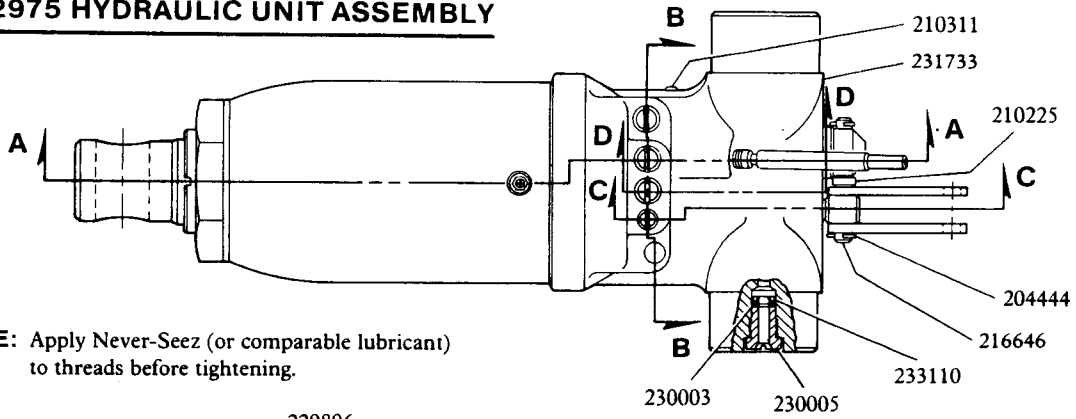


**231990
HANDLE
ASSEMBLY**

A DIVISION OF
LINCOLN McNEIL
CORPORATION
ONE LINCOLN WAY • ST. LOUIS, MO. 63120 • (314) 679-4200

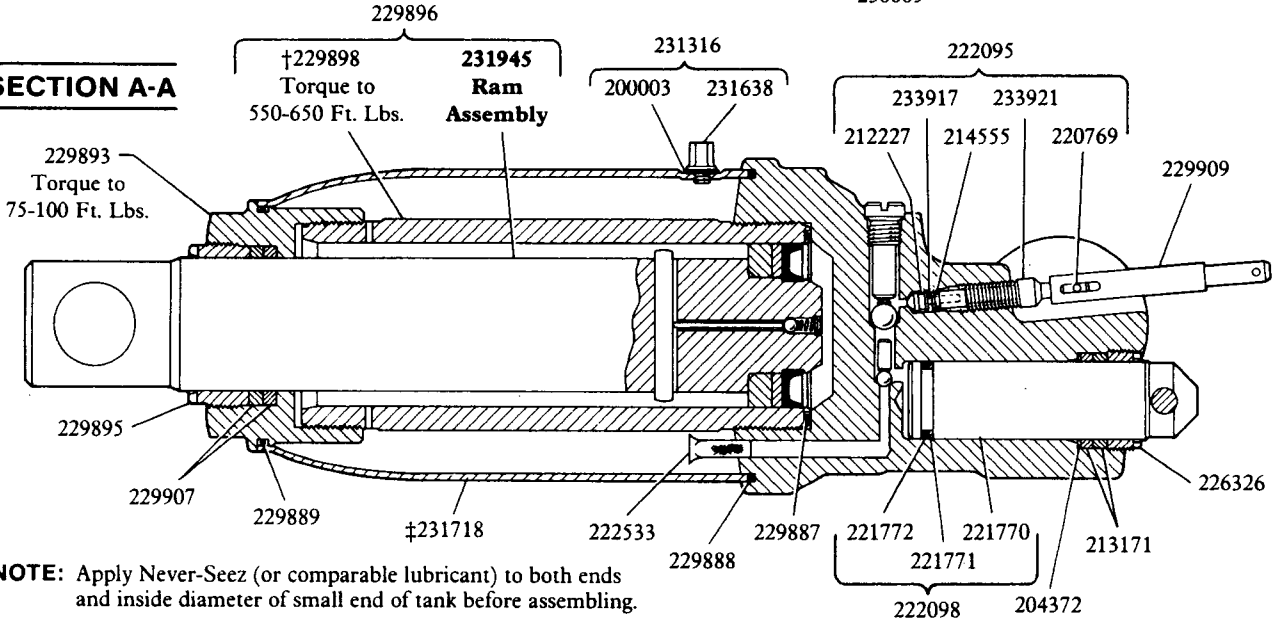
SECTION - **W1**
PAGE - **9D**

232975 HYDRAULIC UNIT ASSEMBLY

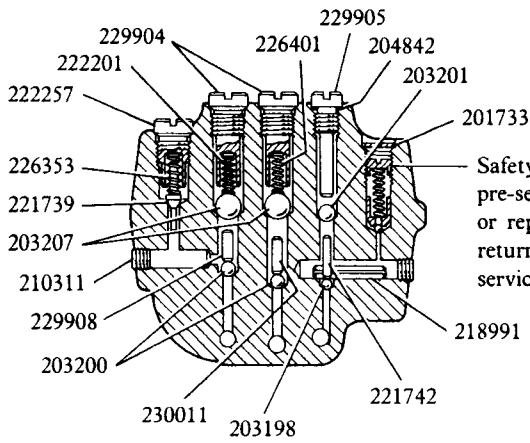


†NOTE: Apply Never-Seez (or comparable lubricant) to threads before tightening.

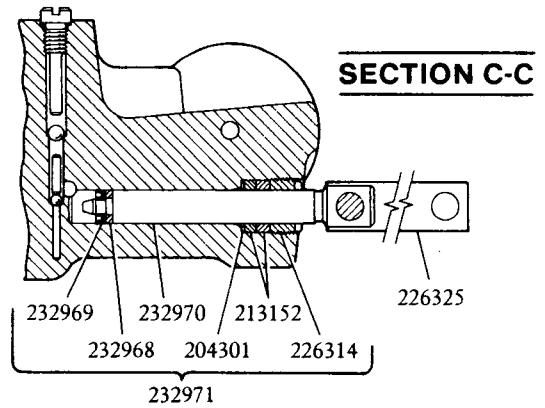
SECTION A-A



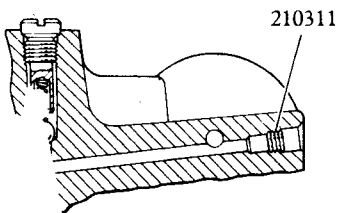
†NOTE: Apply Never-Seez (or comparable lubricant) to both ends and inside diameter of small end of tank before assembling.



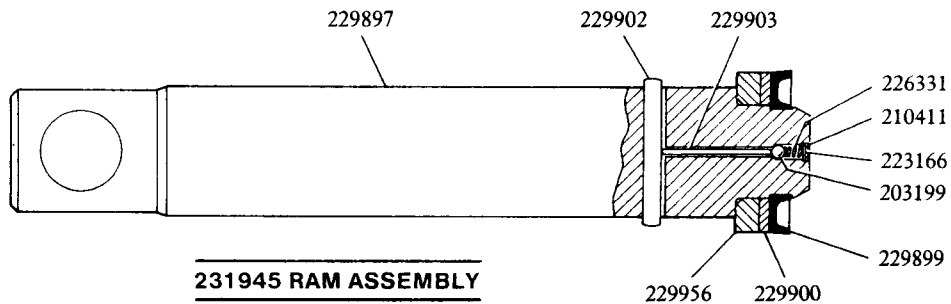
SECTION B-B



SECTION C-C



SECTION D-D



231945 RAM ASSEMBLY

SERVICE PARTS

PART	QUAN.	DESCRIPTION	PART	QUAN.	DESCRIPTION
200003	1	Gasket	*226353	1	Spring
200472	2	Bolt	226366	1	Bolt
201110	4	Lockwasher	226372	1	Plunger spring
201115	2	Lockwasher	*226401	1	Spring
201481	2	Lockwasher	227397	1	Handle release link
201733	2	Expansion plug	227436	1	Turning rod assembly
201784	1	Lockwasher	227713	1	Lockwasher
201785	4	Lockwasher	228875	1	Spring
201789	2	Lockwasher	*229887	1	O-ring
*203198	1	Ball	*229888	1	O-ring
*203199	1	Ball	*229889	1	O-ring
*203200	2	Ball	229893	1	Tank nut
*203201	1	Ball	229895	1	Gland nut
*203207	2	Ball	229896	1	Ram & cylinder assembly
203272	2	Nut	229897	1	Ram
203297	2	Nut	229898	1	Cylinder
203299	2	Nut	*229899	1	U-cup packing
203301	1	Nut	*229900	1	Back-up washer
203323	2	Nut	229902	1	Cross pin
203332	1	Nut	229903	1	Pin
203344	2	Nut	229904	2	Plug
204270	2	Washer	229905	1	Plug
204277	1	Washer	*229907	2	Packing ring
204301	1	Washer	229908	1	Spacer
204303	1	Washer	229909	1	Slotted tube
204372	1	Washer	229910	2	Retaining ring
204444	4	Cotter pin	229911	2	Retaining ring
204461	1	Cotter pin	229912	4	Washer
*204842	1	Gasket	229913	1	Bell crank
207169	2	Nut	229915	2	Wheel
209964	2	Lockwasher	229927	1	Cap housing
210225	1	Spacer	229929	1	Bearing
210311	4	Pipe plug	229932	2	Spring
*210411	1	Washer	229933	2	Plate
211341	1	Rivet	229934	1	Pin
212227	1	Release valve	229938	1	Pin
212689	2	Bolt	229939	1	Axle
*213152	2	Packing ring	229946	1	Pin
*213171	2	Packing ring	229947	4	Retaining ring
213704	1	Universal linkage assembly	229949	1	Handle socket
*214555	1	O-ring	229951	1	Extension rod
214699	1	Bushing	229952	1	Plunger assembly
214700	1	Handle segment & bushing	229955	1	Cover
216645	1	Pin	229956	1	Heel plate
216646	1	Pin	229999	1	Air/hydraulic pump assembly
217653	2	Roll pin	*230003	1	Back-up washer
218988	1	Roll pin	230005	1	Gland nut
218991	1	Roll pin	230006	1	Bumper pin
220769	1	Cross pin	230007	1	Hanger
221739	1	Poppet	230008	1	Bracket
221742	1	Ball stop plug	230010	2	Caster
221770	1	Speed pump	230011	1	Spacer
*221771	1	Back-up washer	231316	1	Filler plug & gasket
*221772	1	Quad ring	231419	1	Fulcrum pin
221809	2	Handle grip	231420	2	Bolt
221937	1	Release knob	231430	2	Parallel link
221938	1	Roll pin	231431	1	Pin
222095	1	Release stem assembly	231474	1	Bell crank & fittings
222098	1	Speed pump assembly	231638	1	Filler plug & vent valve
*222201	1	Spring	231718	1	Oil tank
222257	1	Plug	231733	1	Base
*222533	3	Screen	231945	1	Ram assembly
*223166	1	Screen	231963	1	Front wheel assembly
223172	1	Hose clip	231990	1	Handle assembly
223179	2	Hose clamp	232619	1	Lifting cap
223220	1	Handle tube & cross bar	232620	1	Swivel pin
224081	2	Screw	*232968	1	Back-up washer
225906	1	Bracket	*232969	1	U-cup packing
226019	2	Locknut	232970	1	Pressure pump
226271	1	Fulcrum pin	232971	1	Pressure pump & gland packing ass'y.
226314	1	Gland nut	232975	1	Hydraulic unit assembly
226318	5	Grease fitting	*233110	1	U-cup packing
226325	2	Pump link	233622	4	Screw
226326	1	Gland nut	233917	1	Plastic spring
*226331	1	Spring	233921	1	Release stem

*Included in 91-419 & 240547 Repair Kit.