

OWNER/OPERATOR MANUAL

SAVE THESE INSTRUCTIONS

For your safety *read, understand, and follow* the information provided with and on these jacks. The owner and operator of these equipments shall have an understanding of these jacks and safe operating procedures before attempting to use. The owner and operator shall be aware that use and repair of these products may require special skills and knowledge. Instructions and safety information shall be conveyed in the operator's native language before use of these jacks are authorized. If any doubt exists as to the safe and proper use of this jack, remove from service immediately.

Inspect before each use. Do not use if there are broken, bent, cracked, or damaged parts (including labels). Any jack that appears damaged in any way, operates abnormally, or is missing parts, shall be removed from service immediately. If the jack has been or is suspected to have been subjected to a shock load (a load dropped suddenly, unexpectedly upon it), immediately discontinue use until the jack has been checked by a Snap-on authorized service center. It is recommended that an annual inspection be done by qualified personnel. Labels and Operator's Manual are available from manufacturer.

PRODUCT DESCRIPTION

Blue-Point Hydraulic Service Jacks are designed to lift, **not** sustain, rated capacity loads. They are designed to be used in conjunction with jack stands. **Intended use:** To lift one wheel or one axle of a vehicle for the purpose of service and/or repair of vehicle components. After lifting, loads must be immediately supported by appropriately rated jack stands. Check with vehicle owner's manual for proper lift points.

DO NOT USE TO DOLLY OR MOVE VEHICLE.

DO NOT USE FOR ANY PURPOSE OTHER THAN THOSE USES OUTLINED ABOVE!

BEFORE USE

1. Verify that the product and application are compatible, if in doubt call Snap-On technical service.
2. Read the operator's manual completely and familiarize yourself thoroughly with the product, its components and recognize the potential hazards associated with its use **before** the use of this product.
3. Follow assembly instructions
4. Lower saddle fully.
5. Locate and remove the air vent screw.
6. Ensure the oil level is within ~ 3/16" from the inner cylinder as viewed from the air vent screw hole.
7. Reinstall the air vent screw.
8. Close release valve by turning the release knob clockwise until firm resistance is felt.
9. Ensure that the jack rolls freely.
10. Raise and lower the unloaded saddle through out the lift range before putting into service to ensure the pump and release valve operate smoothly.
11. Replace worn or damaged parts and assemblies with Snap-on Replacement Parts only. (See Replacement Parts Section). Lubricate as instructed in Maintenance Section.

ASSEMBLY

EQUIPMENT NEEDED FOR ASSEMBLY

1. Needle nose locking pliers
2. Snap-ring pliers (for: YA657B and YA667B only)
3. 15 /16" wrench (for: YA660B and YA662B only)
4. Hammer
5. Tape measure
6. All necessary hardware is included and is assembled loosely onto the jack

ASSEMBLY INSTRUCTION

1. Remove the service jack base and handle from the carton.
2. For YA657B and YA667B, see figure 1 to remove the retaining ring and the handle pivot pin from the jack base that connects through the handle

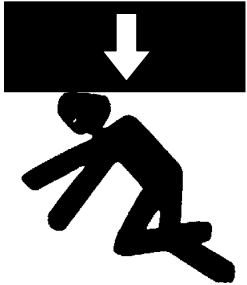
(continued)

- fork. For YA660B and YA662B (as shown in figure 2) remove the 5/16-18 bolts and the pin from the jack base that connects through the handle fork.
3. Remove the #6-32 screw and nut from the universal receptacle on top of the hydraulic unit.
4. Pull the universal assembly, located on the bottom of the handle, out a minimum of 1-3/4".
5. Clamp the needle nose locking pliers onto the rod so that the universal assembly will not retract back into the handle.
6. Slide the universal assembly into the handle socket so that it extends out the other side.
7. Push the pivot pin that was removed in step 2 back through the handle and handle socket (may have to gently tap the pin with a hammer).
8. Align the pivot pin with the holes on the side plates that the pivot pin was removed from and tighten the 5/16"-18 bolts into the pivot pin until secure. (for YA660B and YA662B only)
9. Connect the universal assembly to the universal receptacle rod using the #6-32 screw and nut from note 4 (finger tighten only).
10. Remove the needle nose locking pliers.
11. Jack is now operational and ready for use.

Helpful hint:

If the jack cover is a hindrance, it can be removed by using a 1/8" punch and taping out the pivot pins (be sure to attach the cover back to the jack after assembly is completed).

! WARNING



To avoid crushing and related injuries:
NEVER work on, under or around a load supported only by a jack. ALWAYS use adequately rated jack stands. Immediately transfer loads to appropriate jack stands.

! WARNING

- Study, understand, and follow all instructions provided with and on this device before operating this device.
- Do not exceed rated capacity.
- This is a lifting device only.
- After lifting, immediately transfer the load to appropriately rated vehicle stands.
- Never work on, under, or around a load supported by this device.
- Use only on hard, level surfaces capable of sustaining rated capacity loads.
- Do not move or dolly loads with this device.
- Do not modify this device.
- Do not use adapters or accessories that are not provided initially.
- Lift only on areas of the vehicle as specified by the vehicle manufacturer.
- Failure to heed these markings may result in personal injury and/or property damage.

OPERATION

Lifting

1. Place the vehicle in the park gear.
2. Engage the emergency brake.
3. Chock the wheels securely to prevent inadvertent vehicle movement.
4. Locate and close the release valve by turning release knob clockwise, firmly.
5. Center jack saddle under lift point. Refer to the vehicle manufacturer owner's manual to locate approved lifting points on the vehicle.
6. Verify lift point then use handle pump to contact lift point. To lift, pump handle until load reaches desired height.
7. Transfer the load immediately to appropriately rated jack stands.

To lower load

1. Raise load high enough to clear the jack stands.
2. Remove jack stands, carefully. (**always** used in pairs).
3. Slowly turn the release knob counterclockwise, but no more than 1/2 turn.
If the load fails to lower:
 - a. Use another jack to raise the vehicle high enough to reinstall jack stands.
 - b. Remove the malfunctioning jack and then the jack stands.
 - c. Using the functioning jack, lower the load by turning the operating handle counterclockwise, but no more than 1/2 turn.
4. Push saddle down to reduce ram exposure to rust and contamination after removing the jack from under the load.

! ADVERTENCIA

- Leer, comprender, y seguir las instrucciones antes de utilizar el aparato.
- El manual de instrucciones y la información de seguridad deben estar comunicados en lengua del operador antes del uso.
- No seguir estas indicaciones puede causar daños personales o materiales.

MAINTENANCE

Important: Use only a good grade hydraulic jack oil. Avoid mixing different types of fluid and **Never** use brake fluid, turbine oil, transmission fluid, motor oil or glycerin. Improper fluid can cause failure of the jack and the potential for sudden and immediate loss of load. We recommend Mobil DTE 13M.

Adding oil

1. Lower saddle fully.
2. Set jack in its upright, level position.
3. Locate and remove air vent screw
4. Fill with oil until ~3/16" above the inner cylinder as seen from the air vent screw hole.
5. Reinstall the air vent screw

Changing oil

For best performance and longest life, replace the complete hydraulic fluid at least once a year.

1. Lower saddle fully.
2. Remove the air vent screw.
3. Lay the jack on its side and drain the fluid into a suitable container.

Note: Dispose of hydraulic fluid in accordance with local regulations.

4. Fill with oil until ~3/16" above the inner cylinder as seen from the air vent screw hole.
5. Reinstall the air vent screw.

Lubrication

A periodic coating of light lubricating oil to pivot points, axles and hinges will help to prevent rust and assure that wheels, casters and pump assemblies move freely.

Cleaning

Periodically check the pump piston and ram for signs of rust or corrosion. Clean as needed and wipe with an oily cloth.

Note: Never use sandpaper or abrasive material on these surfaces!

Storage

Lower the saddle to its lowest position when not in use.

- KNOW YOUR PRODUCT -

Model	Capacity	Jack Size (L x H)	Min. Height	Max. Height
YA657B	4 Ton	48-1/4" x 7-1/2"	5-1/4"	26"
YA667B Air / Manual	4 Ton	48-1/4" x 7-1/2"	5-1/4"	26"
YA660B	10 Ton	53-3/8" x 9-3/4"	5-7/8"	26"
YA662B Air / Manual	10 Ton	53-3/8" x 9-3/4"	5-7/8"	26"

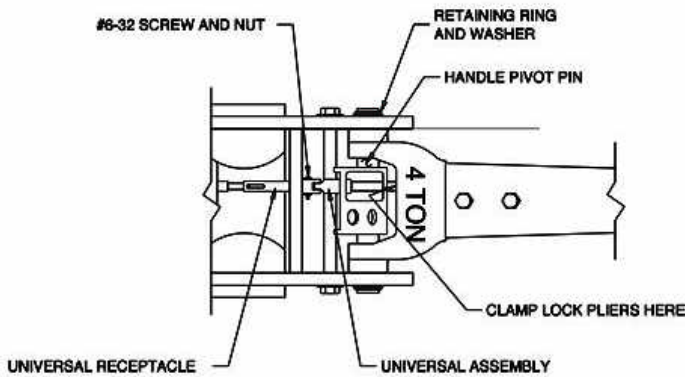


Figure 1 - YA657B / YA667B

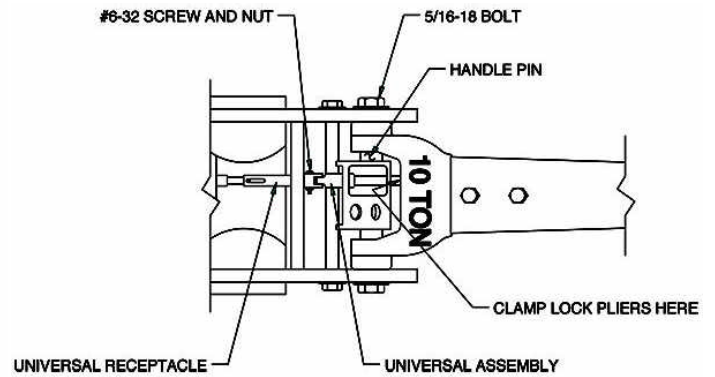


Figure 2 - YA660B / YA662B

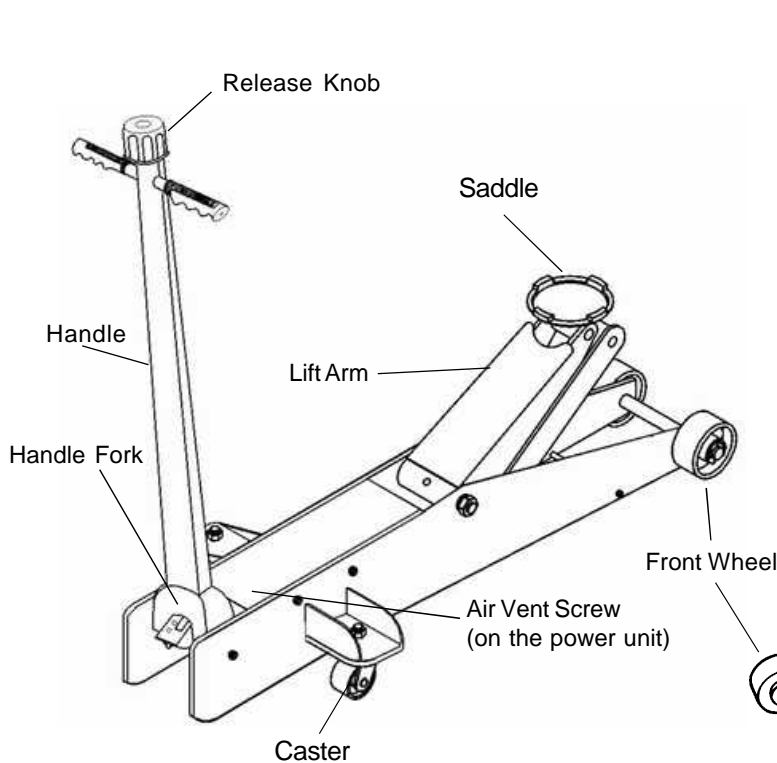


Figure 3 - YA657B / YA660B Nomenclature

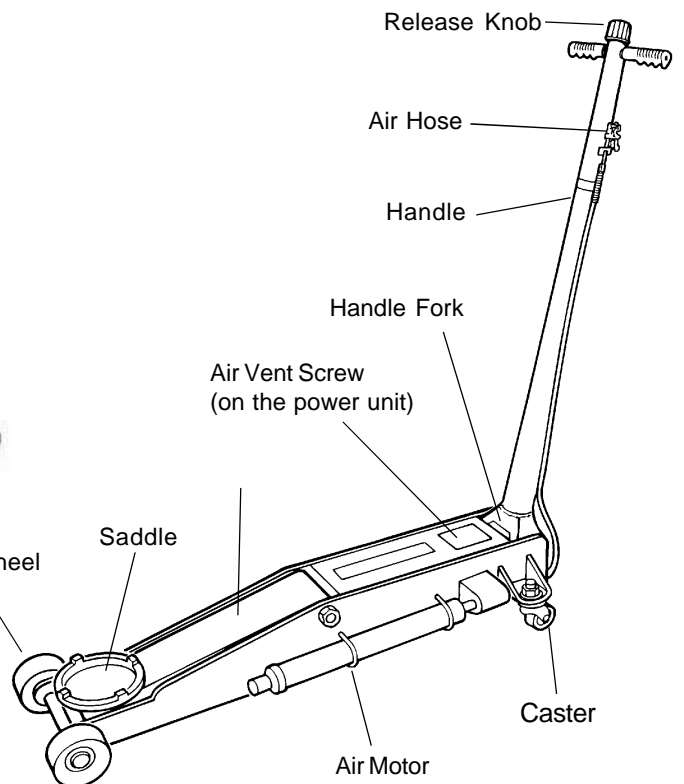


Figure 4 - YA667B / YA662B Nomenclature

TROUBLESHOOTING

Symptom	Possible Causes	Corrective Action
Jack will not lift load	<ul style="list-style-type: none"> • Release knob not tightly closed 	<ul style="list-style-type: none"> • Ensure release knob tightly closed
Jack bleeds off after lift	<ul style="list-style-type: none"> • Hydraulic unit malfunction 	<ul style="list-style-type: none"> • Contact Snap-on Technical Service
Jack will not lower after unloading	<ul style="list-style-type: none"> • Reservoir overfilled • Linkages binding • Fluid level low 	<ul style="list-style-type: none"> • Drain fluid to proper level • Clean and lubricate moving parts • Ensure proper fluid level
Will not lift to full extension	<ul style="list-style-type: none"> • Fluid level low 	<ul style="list-style-type: none"> • Ensure proper fluid level

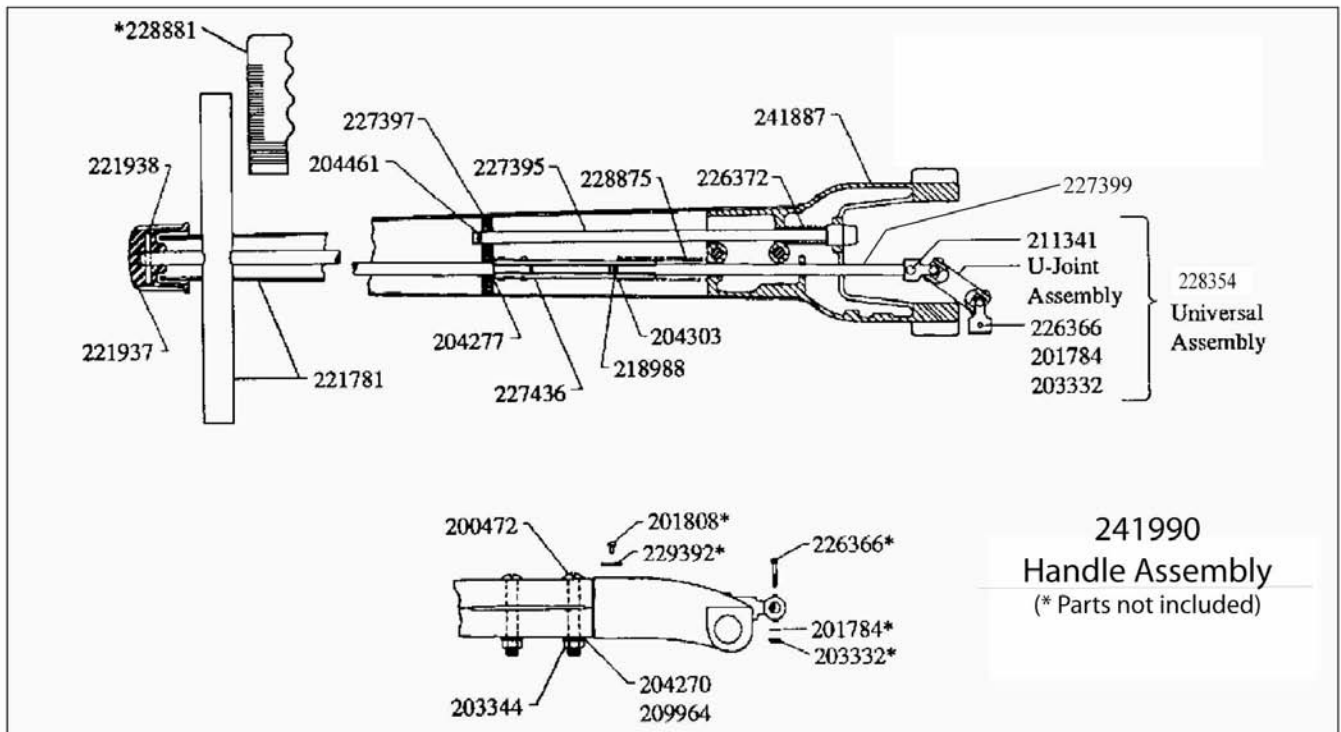
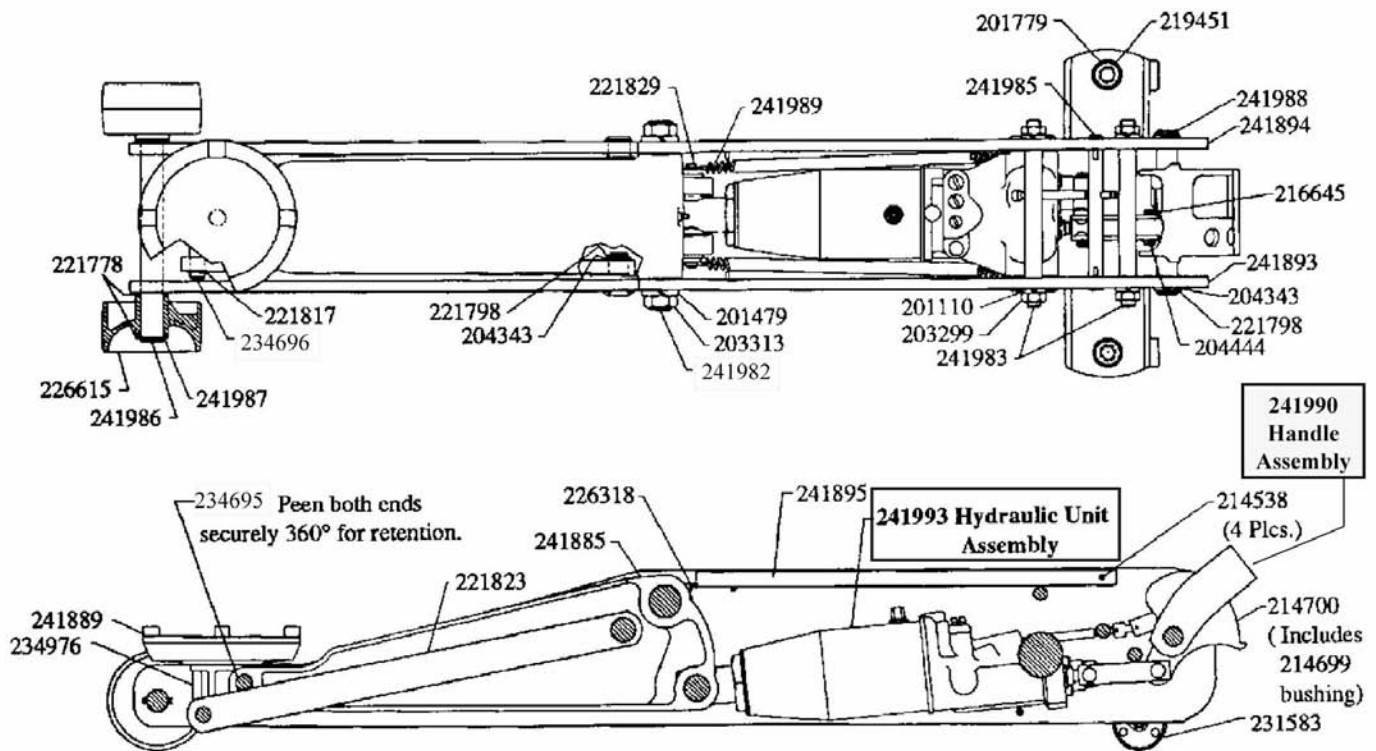
REPLACEMENT PARTS

(See attached exploded drawing)

When ordering replacement parts, please refer to the model number / serial number found on the product, then give the part number and description.

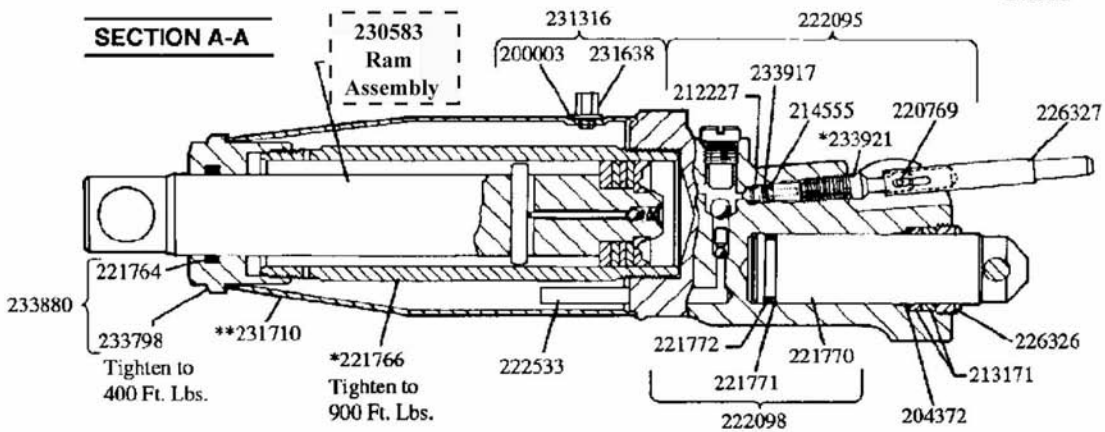
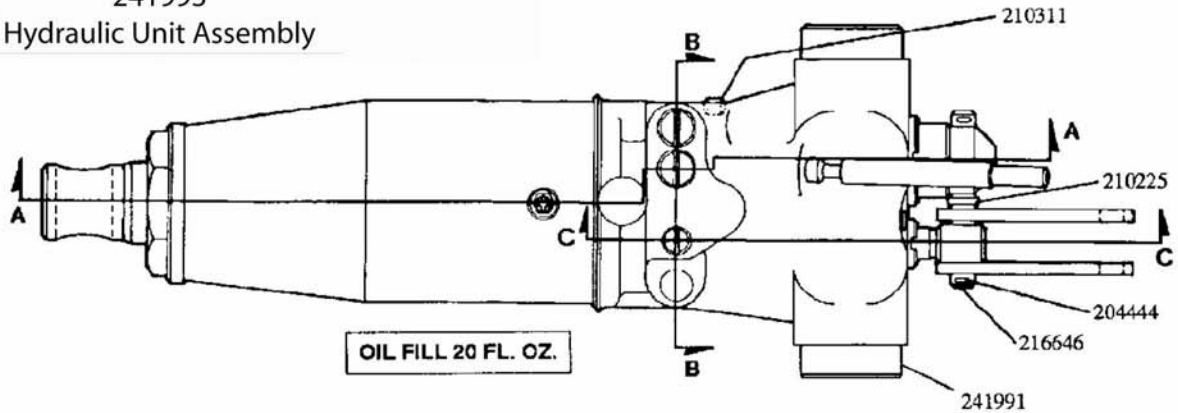
Available Parts: Please refer to the Parts drawing when ordering parts. Not all components of the jack are replacement items, but are illustrated as a convenient reference of location and position in the assembly sequence. When ordering parts, give Model number, serial number and description below. Call or write for current pricing: Snap-on Tools Company, Kenosha, WI 53141-1410

Service Parts for Model YA657B

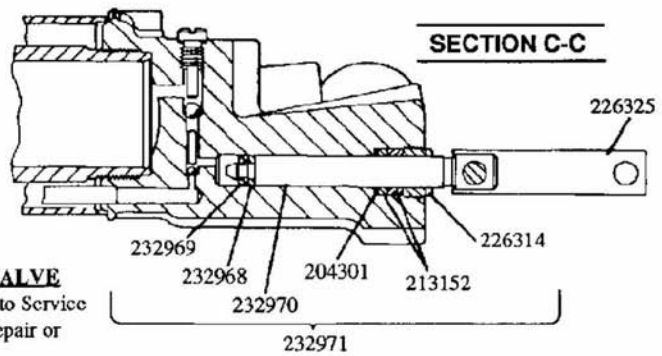
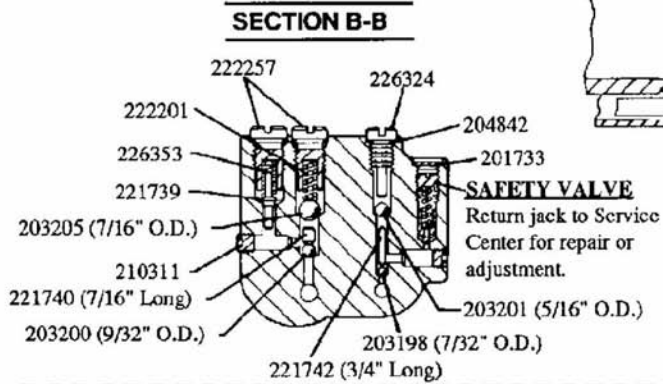


Service Parts for Model YA657B (continued) - Hyd. Unit

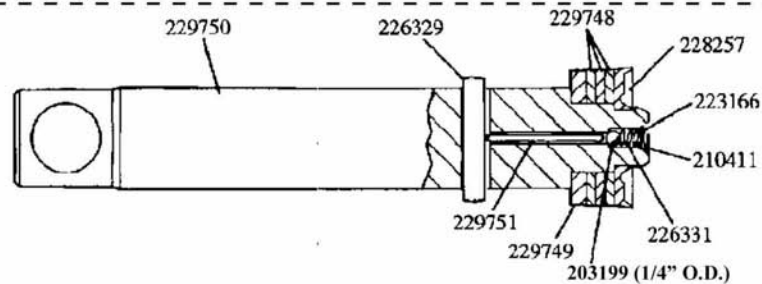
241993
Hydraulic Unit Assembly



NOTE: * Apply Never-Seez to threads before tightening.
** Apply Never-Seez to both ends of tank before assembling.



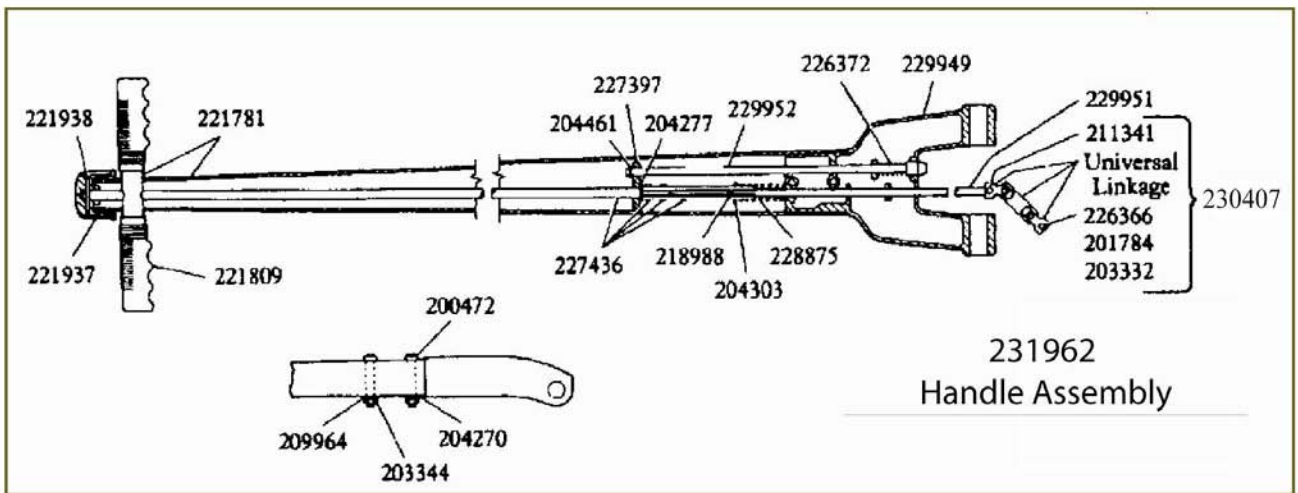
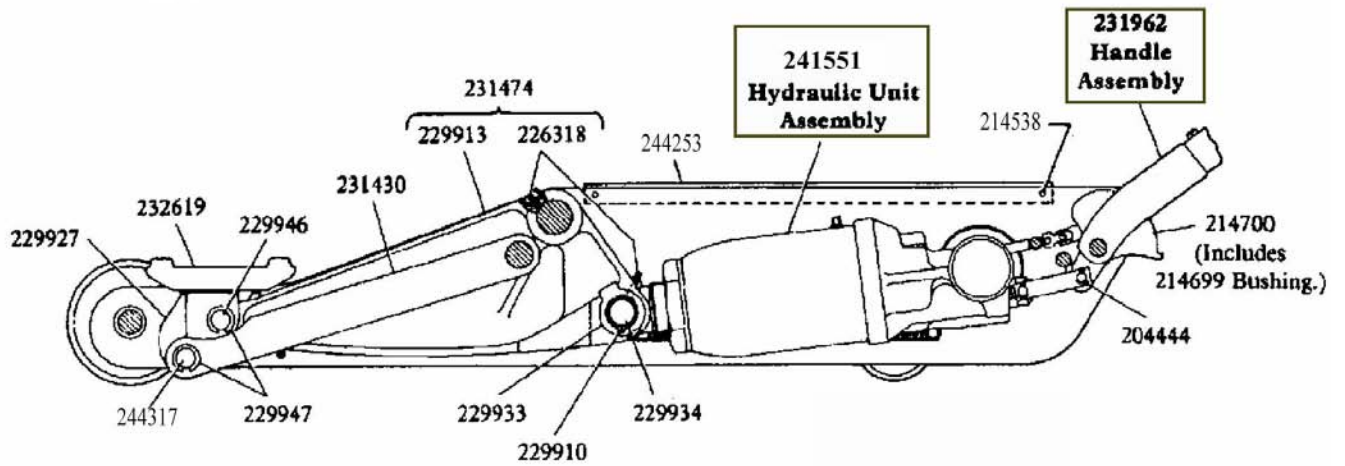
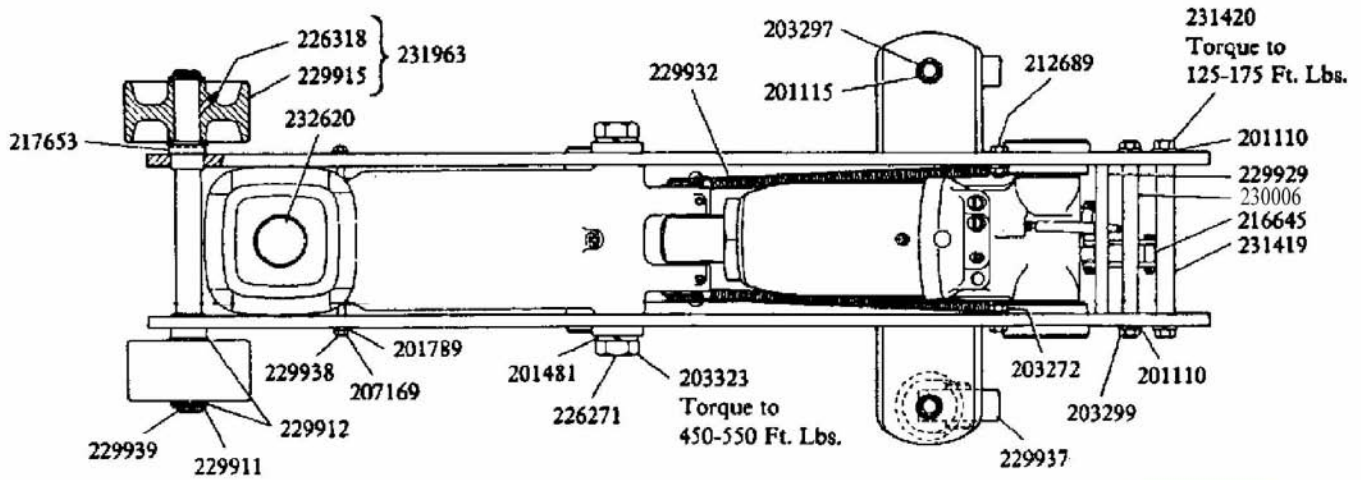
230583
Ram Assembly



Parts List for Model YA657B

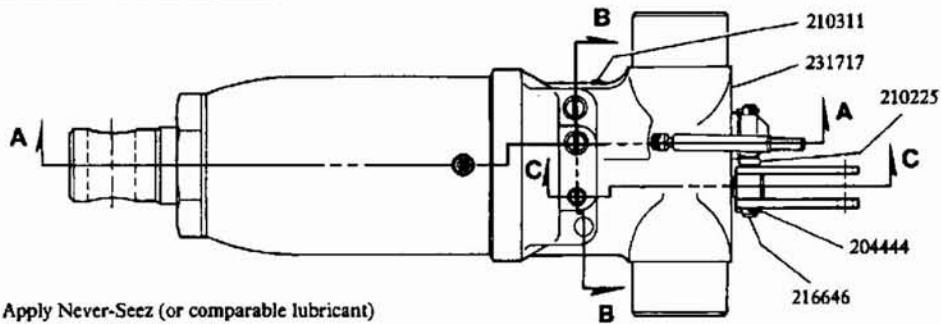
<u>Part#</u>	<u>Description</u>	<u>Qty.</u>	<u>Part#</u>	<u>Description</u>	<u>Qty.</u>	<u>Part#</u>	<u>Description</u>	<u>Qty.</u>
200003	• Gasket	1	221742	Ball Stop Plug (3/4" L)	1	230583	Ram Assy.	1
200472	Screw	2	221764	• Ram Quad Ring	1	231316	Vent Valve Assy.	1
201110	Lockwasher	4	221766	Cylinder	1	231583	Rear Caster	2
201479	Lockwasher	2	221770	Low Pressure Pump	1	231638	Filler Screw	1
201733	Plug	1	221771	• Washer	1	231710	Oil Tank	1
201779	Lockwasher	2	221772	• Quad ring	1	232968	• Back-up Washer	1
201784	Lockwasher	1	221778	Washer	4	232969	• U-cup	1
201808	Rivet	2	221781	Handle and Cross Bar	1	232970	Pressure Pump	1
203198	• Ball (7/32" O.D.)	1	221798	Retainer Ring	4	232971	Pressure Pump Kit	1
203199	• Ball (1/4" O.D.)	1	221817	Retainer Ring	2	233798	Tank Nut	1
203200	• Ball (9/32" O.D.)	1	221823	Parallel Link	2	233880	Tank Nut and Quad Ring	1
203201	• Ball (5/16" O.D.)	1	221829	Pin	1	233917	• Plastic Spring	1
203205	• Ball (7/16" O.D.)	1	221937	Turning Knob	1	233921	Release Stem	1
203299	Jam Nut	4	221938	Roll Pin	1	234695	Bellcrank Pim 3/4x3.38	1
203313	Jam Nut	2	222095	Release Stem Kit	1	234696	Parallel Link Pin	1
203332	Nut	1	222098	Speed Pump Assy.	1	234976	Cap Housing	1
203344	Jam Nut	2	222201	• Spring	1	241885	Bellcrank	1
204270	Washer	2	222257	Plug Poppet Valve	2	241887	Handle Socket	1
204277	Washer	1	222533	• Screen	2	241889	Liftcap	1
204301	Washer	1	223166	• Ram Screen	1	241893	Sideplate Assy	1
204303	Washer	1	226314	Gland Nut	1	241894	Sideplate Assy	1
204343	Washer	4	226318	Grease Fitting	1	241895	Hydraulic Unit Cover	1
204372	Washer	1	226324	Pressure Plug	1	241907	Repair Kit (Hyd. Unit)	-
204444	Cotter Pin	3	226325	Pump Link	2	241982	Fulcrum Pin	1
204461	Cotter Pin	1	226326	Nut	1	241983	Sideplate Tie Rod	2
204842	• Copper Gasket	1	226327	Slotted Tube	1	241985	Support Rod	1
209964	Lockwasher	2	226329	Pin	1	241986	Front Axle	1
210225	Spacer	1	226331	• Spring	1	241987	Retainer ring	2
210311	Pipe Plug	3	226353	• Spring	1	241988	Handle Pivot Pin	1
210411	• Washer	1	226366	Hex Head Bolt	1	241989	Extension Spring	2
211341	Rivet	1	226372	Spring	1	241990	Handle Assy.	1
212227	Release Valve	1	226615	Front Wheel	2	241991	Hydraulic Unit Casting	1
213152	• Packing Ring	2	227395	Plunger Assy.	1	241993	Hydraulic Unit Assy.	1
213171	• Packing Ring	2	227397	Release Link	1			
214538	Groove Pin	4	227399	Extension Rod	1			
214555	• O-ring	1	227436	Turning Rod Assy.	1	YA657-K0	Label Kit (not shown)	
214699	Bushing	1	228257	• U-cup	1	YA657-M0	Manual	
214700	Handle Segment Assy.	1	228354	Universal Assy.	1			
216645	Pin	1	228875	Spring	1			
216646	Pump Pin	1	228881	Grip	2			
218988	Roll Pin	1	229392	Serial Plate	1			
219451	Hex Nut	2	229748	• Heel Plate	3			
220769	Cross Pin	1	229749	Washer	1			
221739	• Poppet	1	229750	Ram	1			
221740	Ball Stop Plug(7/16" L)	1	229751	Pin	1			

Service Parts for Model YA660B

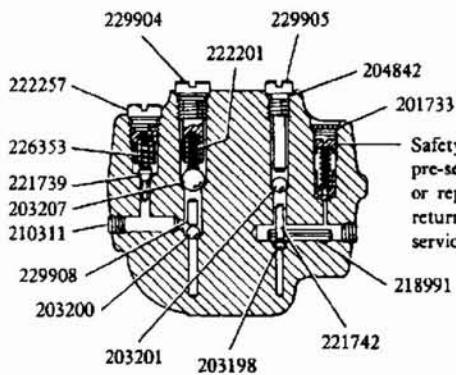
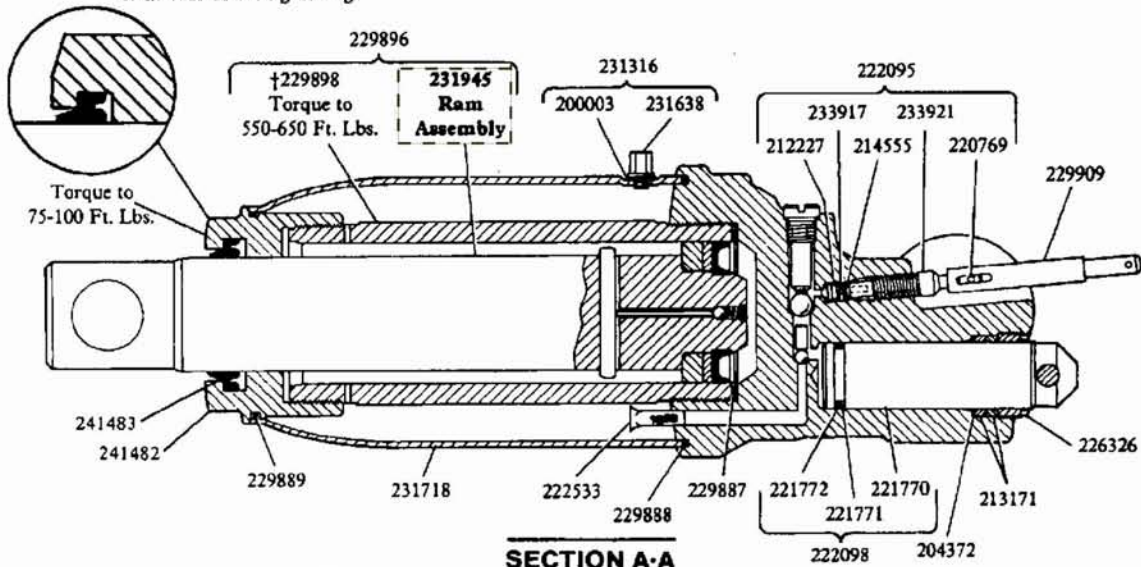


Service Parts for Model YA660B (continued) - Hyd. Unit

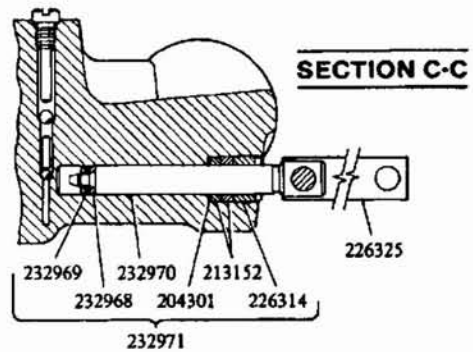
241551
Hydraulic Unit Assembly



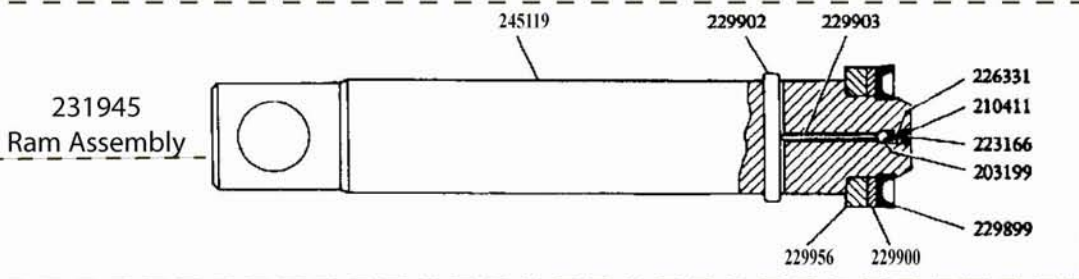
†NOTE: Apply Never-Seez (or comparable lubricant) to threads before tightening.



Safety valve is factory pre-set. If adjustment or repair is required, return jack to nearest service depot.



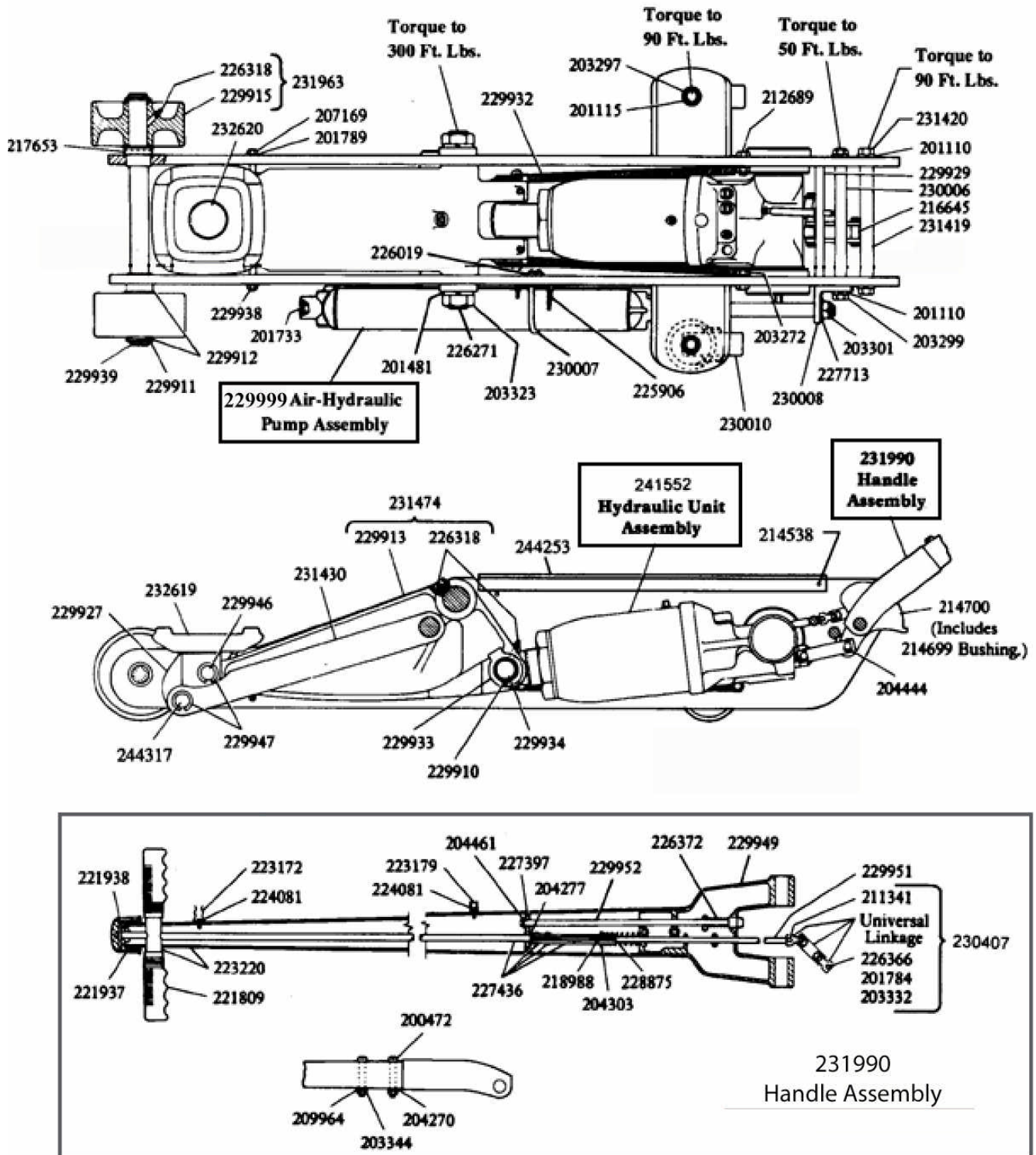
SECTION B-B



Parts List for Model YA660B

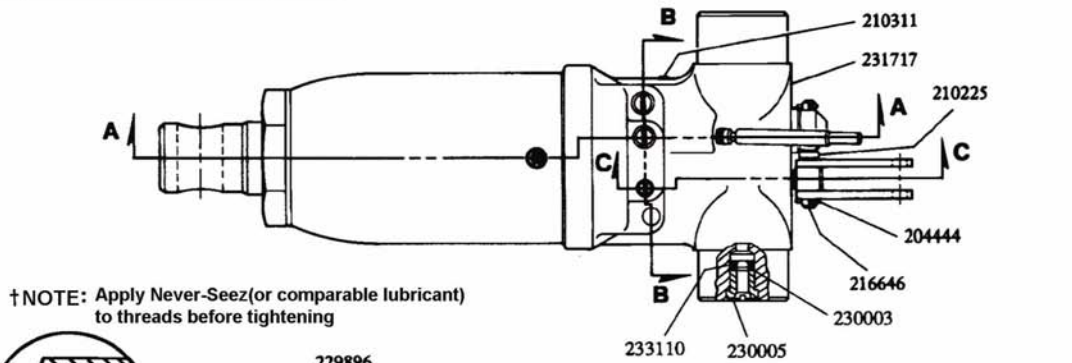
<u>Part#</u>	<u>Description</u>	<u>Qty.</u>	<u>Part#</u>	<u>Description</u>	<u>Qty.</u>	<u>Part#</u>	<u>Description</u>	<u>Qty.</u>
200003	Gasket	1	220769	Cross Pin	1	229927	Cap Housing	1
200472	Bolt	2	221739	Poppet	1	229929	Bearing	1
201110	Lockwasher	4	221742	Ball Stop Plug	1	229932	Spring	2
201115	Lockwasher	2	221770	Speed Pump	1	229933	Plate	2
201481	Lockwasher	2	221771 •	Back-up Washer	1	229934	Pin	1
201733	Expansion Plug	1	221772	Quad Ring	1	229937	Caster	2
201784	Lockwasher	1	221781	Handle & Cross Bar	1	229938	Pin	1
201789	Lockwasher	2	221809	Handle Grip	2	229939	Front Axle	1
203198 •	Ball	1	221937	Release Knob	1	229946	Pin	1
203199 •	Ball	1	221938	Roll Pin	1	229947	Retaining Ring	4
203200 •	Ball	1	222095	Release Stem Assy.	1	229949	Handle Socket	1
203201 •	Ball	1	222098	Speed Pump Assy.	1	229951	Extension rod	1
203207 •	Ball	1	222201 •	Spring	1	229952	Plunger Assy.	1
203272	Nut	2	222257	Plug	1	229956	Heel Plate	1
203297	Nut	2	222533 •	Screen	2	230006	Bumper Pin	1
203299	Nut	2	223166 •	Screen	1	230407	Universal Assy.	1
203323	Nut	2	224253	Cover	1	231316	Filler Plug & Gasket Assy.	1
203332	Nut	1	226271	Fulcrum Pin	1	231419	Fulcrum Pin	1
203344	Nut	2	226314	Gland Nut	1	231420	Bolt	2
204270	Washer	2	226318	Grease Fitting	5	231430	Parallel Link	2
204277	Washer	1	226325	Pump Link	2	231474	Bell Crank & Fittings	1
204301	Washer	1	226326	Gland Nut	1	231638	Filler Plug & Vent Valve	1
204303	Washer	1	226331	Spring	1	231717	Base	1
204372	Washer	1	226353 •	Spring	1	231718	Oil Tank	1
204444	Cotter Pin	4	226366	Bolt	1	231945	Ram Assy.	1
204461	Cotter Pin	1	226372	Plunger Spring	1	231962	Handle Assy.	1
204842 •	Gasket	1	227397	Link	1	231963	Front Wheel Assy.	2
207169	Nut	2	227436	Turning Rod Assy.	1	232619	Lifting Cap	1
209964	Lockwasher	2	228875	Spring	1	232620	Swivel Pin	1
210225	Spacer	1	229887 •	O-ring	1	232968 •	Back-up Washer	1
210311	Pipe Plug	3	229888 •	O-ring	1	232969 •	U-cup Packing	1
210411 •	Washer	1	229889 •	O-ring	1	232970	Pressure Pump	1
211341	Rivet	1	229896	Ram & Cylinder Assy.	1	232971	Pressure Pump &	1
212227	Release Valve	1	229898	Cylinder	1		Gland Packing Assy.	
212689	Bolt	2	229899 •	U-cup Packing	1	233917	Plastic Spring	1
213152 •	Packing Ring	2	229900 •	Back-up Washer	1	233921	Release Stem	1
213171 •	Packing Ring	2	229902	Cross Pin	1	240616	Repair Kit (Hyd. Unit)	-
214538	Groove Pin	4	229903	Pin	1	241482	Tank Nut	1
214555 •	O-ring	1	229904	Plug	1	241483 •	Seal	1
214699	Bushing	1	229905	Plug	1	241551	Hydraulic Unit Assy.	1
214700	Handle Segment & Bushing	1	229908	Spacer	1	244317	Pin	1
			229909	Slotted Tube	1	245119	Ram	1
216645	Pin	1	229910	Retaining Ring	2			
216646	Pin	1	229911	Retaining Ring	2	YA660-K0	Label Kit (not shown)	
217653	Roll Pin	2	229912	Washer	4	YA657-M0	Manual	
218988	Roll Pin	1	229913	Bell Crank	1			
218991	Roll Pin	1	229915	Front Wheel	2		• Included in Repair Kit 240616	

Service Parts for Model YA662B

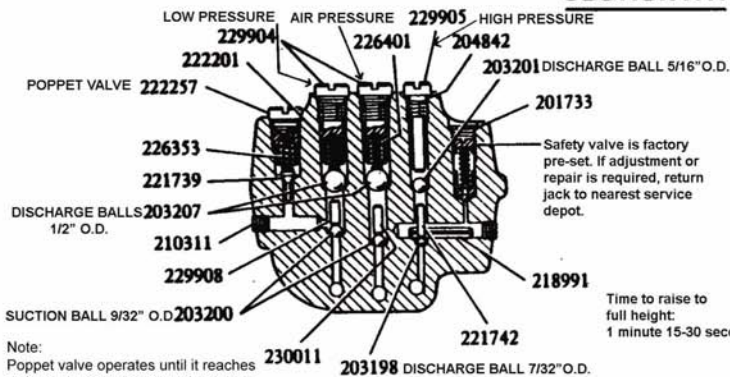
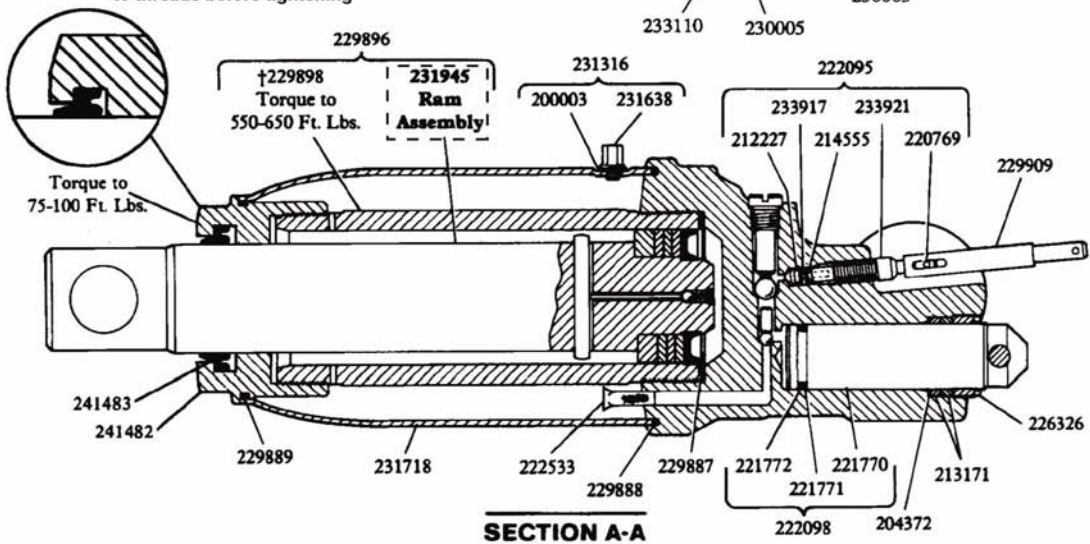


Service Parts for Model YA662B (continued) - Hyd. Unit

241552 Hydraulic Unit Assembly

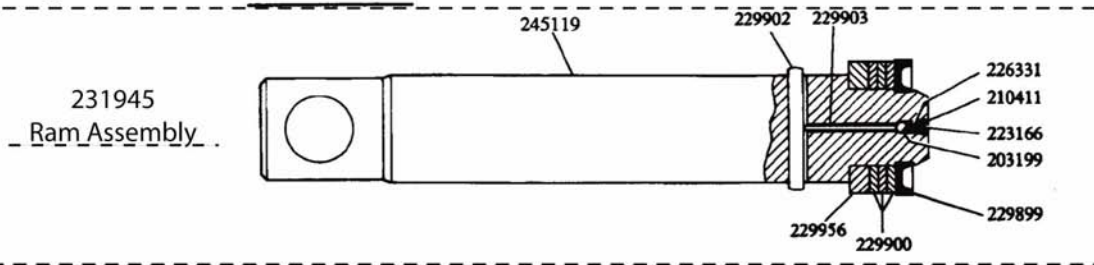
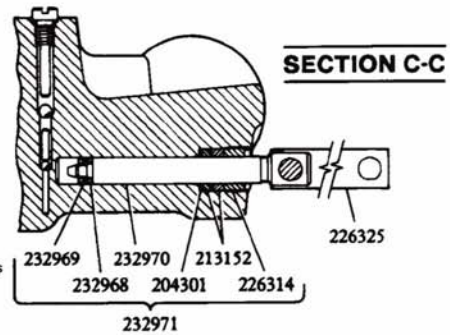


†NOTE: Apply Never-Seez(or comparable lubricant) to threads before tightening

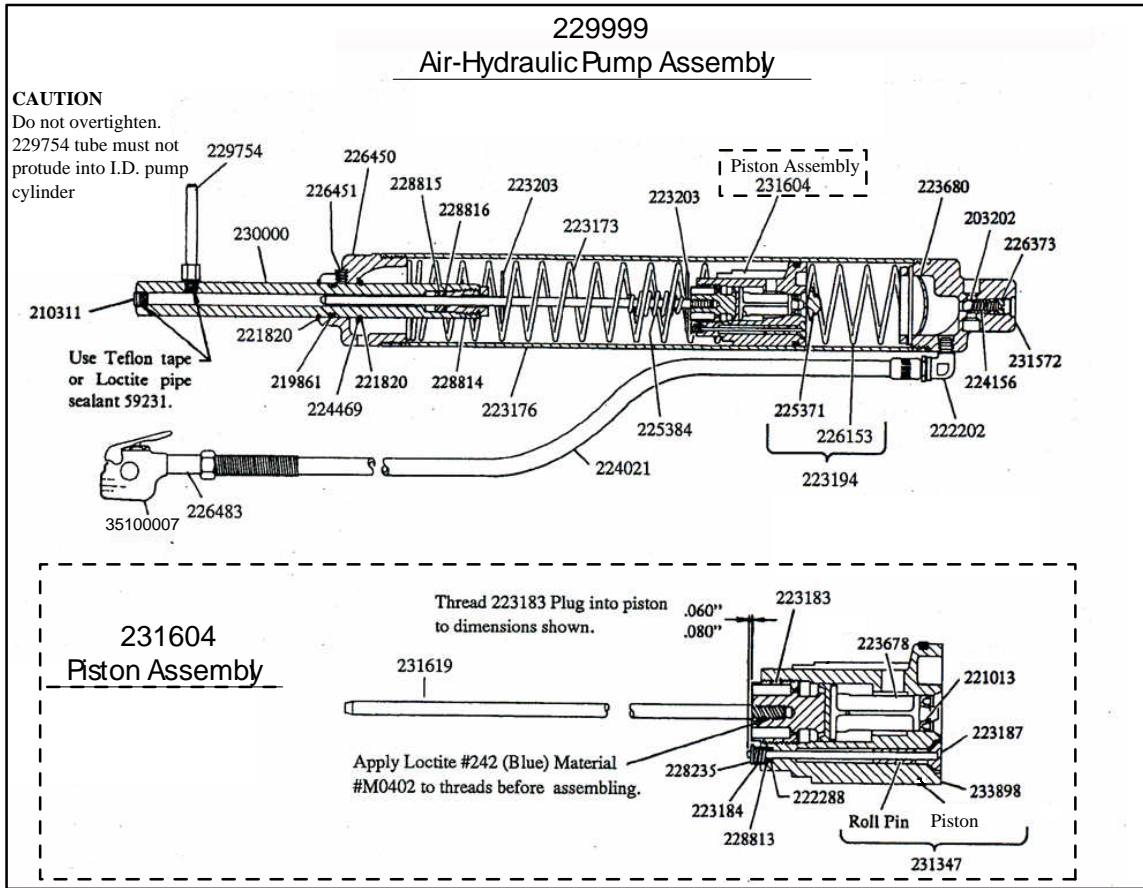


Note:
Poppet valve operates until it reaches 150 psi. then the Poppet valve opens & allows the high pressure circuit to open for raising the load.

Time to raise to full height:
1 minute 15-30 seconds



Service Parts for Model YA662B (continued) - Air Hyd. Pump



Parts List for Model YA662B

<u>Part#</u>	<u>Description</u>	<u>Qty</u>	<u>Part#</u>	<u>Description</u>	<u>Qty</u>	<u>Part#</u>	<u>Description</u>	<u>Qty</u>
200003	Gasket	1	203344	Nut	2	214555 •	O-ring	1
200472	Bolt	2	204270	Washer	2	214699	Bushing	1
201110	Lockwasher	4	204277	Washer	1	214700	Handle Segment & Bushing	1
201115	Lockwasher	2	204301	Washer	1	216645	Pin	1
201481	Lockwasher	2	204303	Washer	1	216646	Pin	1
201733	Expansion Plug	1	204372	Washer	1	217653	Roll Pin	2
201784	Lockwasher	1	204444	Cotter Pin	4	218988	Roll Pin	1
201789	Lockwasher	2	204461	Cotter Pin	1	218991	Roll Pin	1
203198 •	Ball (7/32" O.D.)	1	204842 •	Gasket	1	219861	O-ring	1
203199 •	Ball (1/4" O.D.)	1	207169	Nut	2	220769	Coss Pin	1
203200 •	Ball (9/32" O.D.)	1	209964	Lockwasher	2	221013#	U-cup Packing	1
203201 •	Ball (5/16" O.D.)	1	210225	Spacer	1	221739	Poppet	1
203202	Ball (11/32" O.D.)	1	210311	Pipe Plug	3	221742	Ball Stop Plug	1
203207 •	Ball	1	210411 •	Washer	1	221770	Speed Pump	1
203272	Nut	2	211341	Rivet	1	221771 •	Back-up Washer	1
203297	Nut	2	212227	Release Valve	1	221772	Quad Ring	1
203299	Nut	2	212689	Bolt	2	221809	Handle Grip	2
203301	Jam Nut	1	213152 •	Packing Ring	2	221820	Retaining Ring	2
203323	Nut	2	213171 •	Packing Ring	2	221937	Release Knob	1
203332	Nut	1	214538	Groove Pin	4			

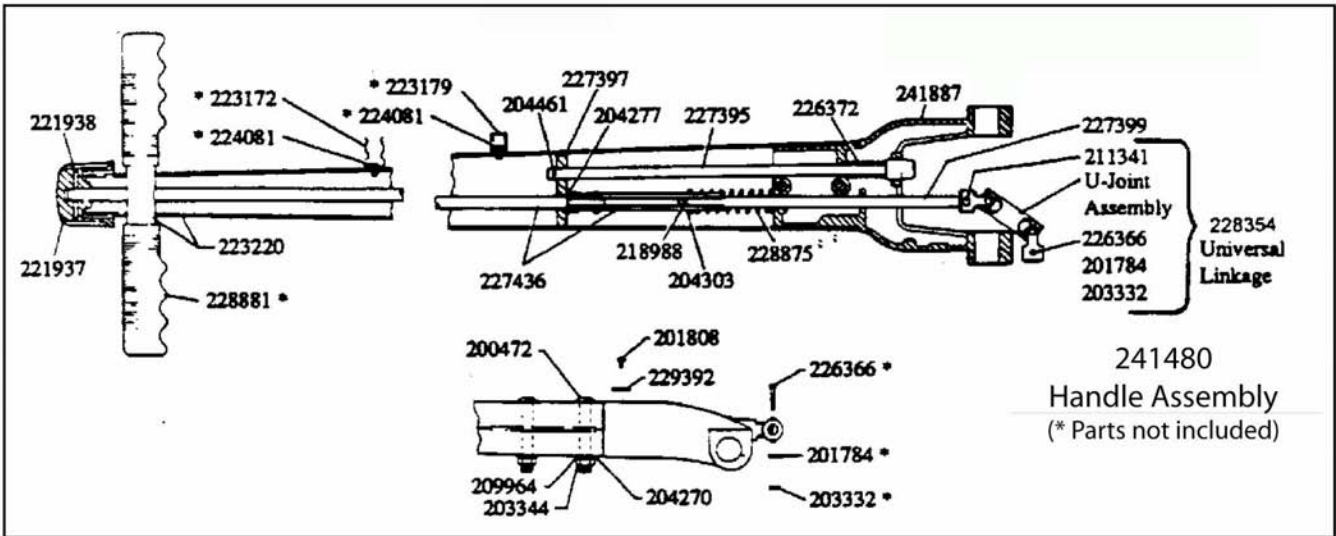
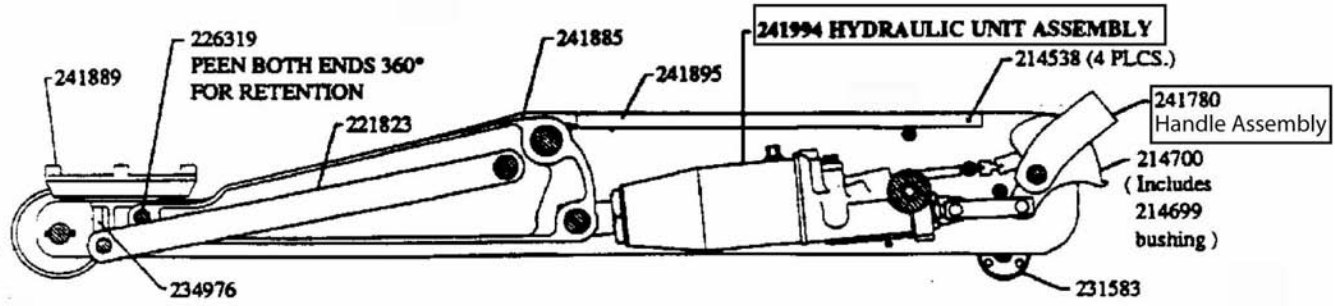
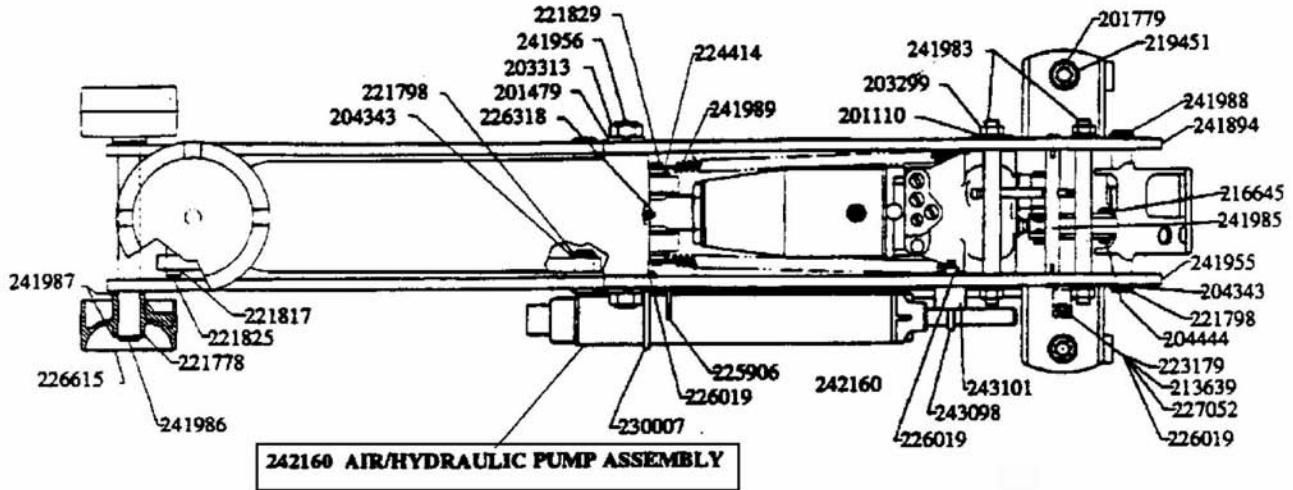
...Continue on next page (page 14)

Parts List for Model YA662B (continued)

<u>Part#</u>	<u>Description</u>	<u>Qty</u>	<u>Part#</u>	<u>Description</u>	<u>Qty</u>	<u>Part#</u>	<u>Description</u>	<u>Qty</u>
221938	Roll Pin	1	227713	Lockwasher	1	230008	Bracket	1
222095	Release Stem Assy.	1	228235	Cotter Pin	1	230010	Caster	2
222098	Speed Pump Assy.	1	228813	Washer	1	230011	Spacer	1
222201 •	Spring	1	228814#	Gland Nut	1	230407	Universal Assy.	1
222202	Elbow	1	228815#	U-cup Packing	1	231316	Filler Plug & Gasket Assy.	1
222257	Plug	1	228816#	Washer	1	231347	Piston & Roll Pin	1
222288#	O-ring	1	228875	Spring	1	231419	Fulcrum Pin	1
222533 •	Screen	2	229754	Pin	1	231420	Bolt	2
223166 •	Screen	1	229887 •	O-ring	1	231430	Parallel Link	2
223172	Hose Clip	1	229888 •	O-ring	1	231474	Bell Crank & Fittings	1
223173	Return Spring	1	229889 •	O-ring	1	231572	Cylinder Cap	1
223176	Cylinder, Air	1	229896	Ram & Cylinder Assy.	1	231604	Piston Assy.	1
223179	Hose Clip	2	229898	Cylinder	1	231619	Rod, Pump	1
223183	Plug	1	229899 •	U-cup Packing	1	231638	Filler plug & Vent Valve	1
223184	Spring	1	229900 •	Back-up Washer	1	231717	Base	1
223187#	Valve & Plunger	1	229902	Cross Pin	1	231718	Oil Tank	1
223194	Spring & Cushion	1	229903	Pin	1	231945	Ram Assy.	1
223203	Trip Washer	2	229904	Plug	1	231963	Front Wheel Assy.	2
223220	Handle & Cross Bar	1	229905	Plug	1	231990	Handle Assy.	1
223678	Packing & Piston	1	229908	Spacer	1	232619	Lifting Cap	1
223680	Screen	1	229909	Slotted Tube	1	232620	Swivel Pin	1
224021	Hose, Air	1	229910	Retaining Ring	2	232968 •	Back-up Washer	1
224081	Screw	2	229911	Retaining Ring	2	232969 •	U-cup Packing	1
224156	Spring	1	229912	Washer	4	232970	Pressure Pump	1
224469	Washer	1	229913	Bell Crank	1	232971	Pressure Pump & Gland Packing Assy.	1
225371	Rubber Cushion	1	229915	Front Wheel	2	233110	Pump U-cup	1
225384	Trip Spring	1	229927	Cap Housing	1	233622	Screw	4
225906	Bracket, Speed pak	1	229929	Bearing	1	233897	Ring, Sealing	1
226153	Spring	1	229932	Spring	2	233917	Plastic Spring	1
226271	Fulcrum Pin	1	229933	Plate	2	233921	Release Stem	1
226314	Gland Nut	1	229934	Pin	1	240564	Repair Kit (Air Pump) -	
226318	Grease Fitting	5	229938	Pin	1	240616	Repair Kit (Hyd. Unit) -	
226325	Pump Link	2	229939	Front Axle	1	241482	Tank Nut	1
226326	Gland Nut	1	229946	Pin	1	241483 •	Seal	1
226331	Spring	1	229947	Retaining Ring	4	241552	Hydraulic Unit Assy.	1
226353 •	Spring	1	229949	Handle Socket	1	244253	Cover	1
226366	Bolt	1	229951	Extension Rod	1	244317	Pin	1
226372	Plunger Spring	1	229952	Plunger Assy.	1	245119	Ram	1
226373	Adjusting Screw	1	229956	Heel Plate	1	3510007	Air Valve	1
226401	Spring	1	229999	Air Hyd. Pump Assy.	1	YA662-K0	Label Kit (not shown) -	
226450	End Block	1	230000	Pump Cylinder	1	YA657-M0	Manual	-
226451	Set Screw	2	230003	Back-up Washer	1			
226483	Pipe Nipple	1	230005	Gland Nut	1			
227397	Link	1	230006	Bumper Pin	1			
227436	Turning Rod Assy.	1	230007	U-bolt	1			

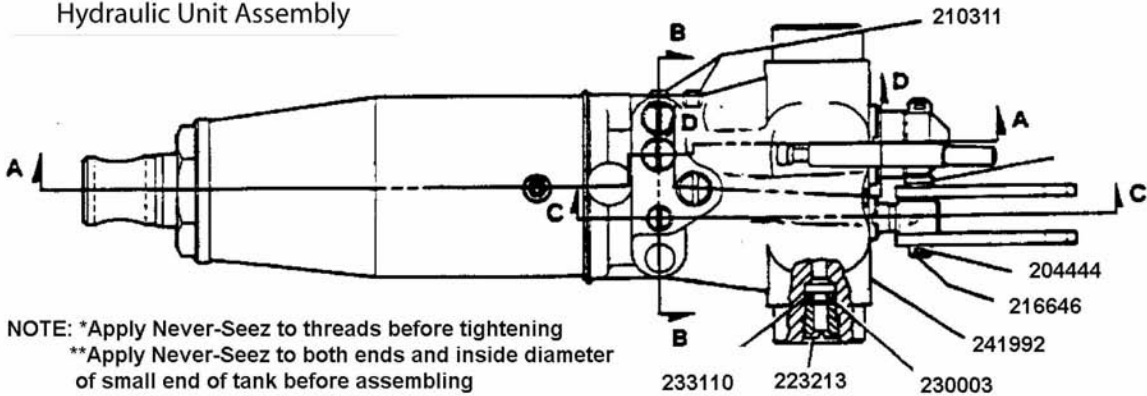
• Included in Repair Kit 240616
Included in Repair Kit 240564

Service Parts for Model YA667B

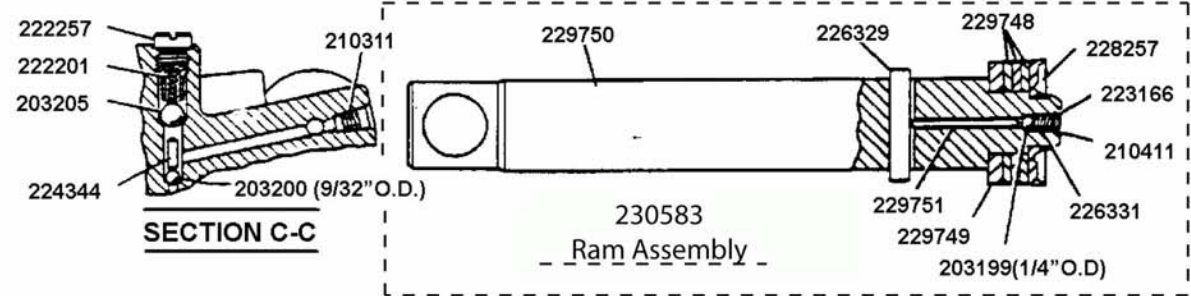
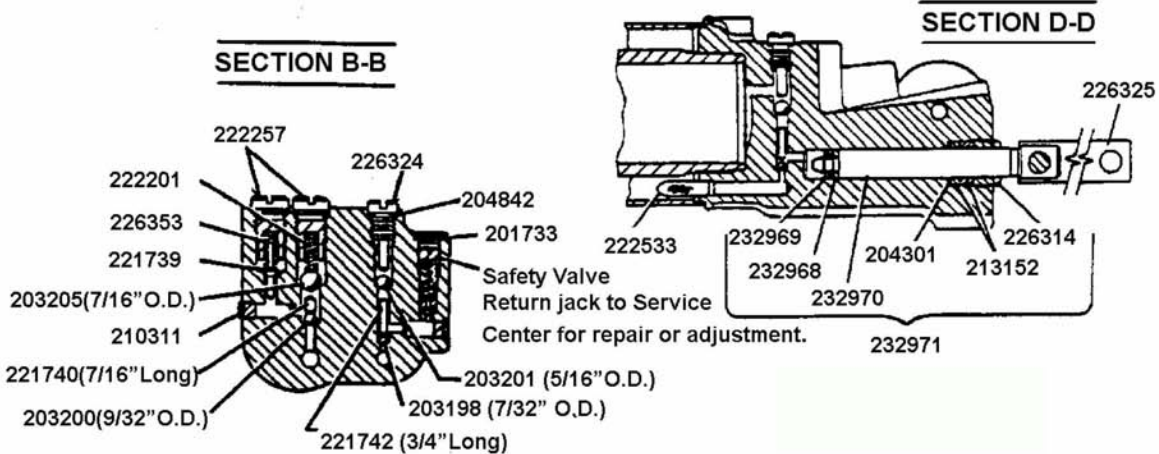
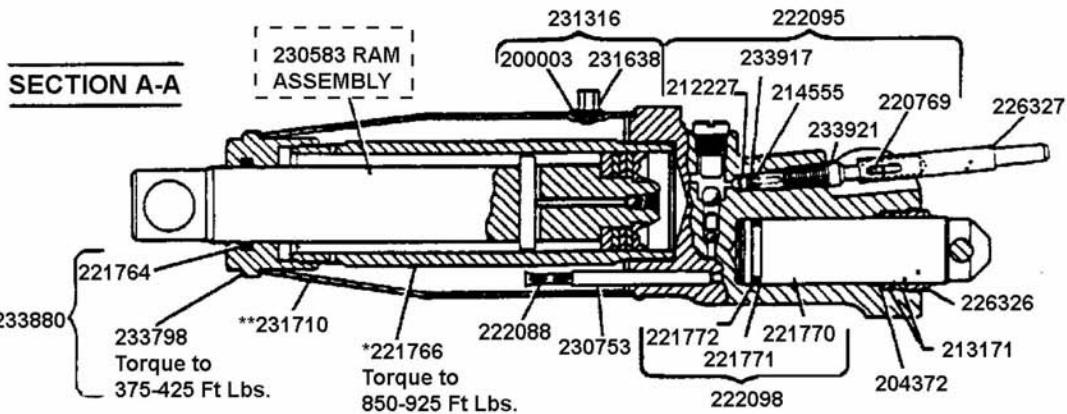


Service Parts for Model YA667B(continued) - Hyd. Unit

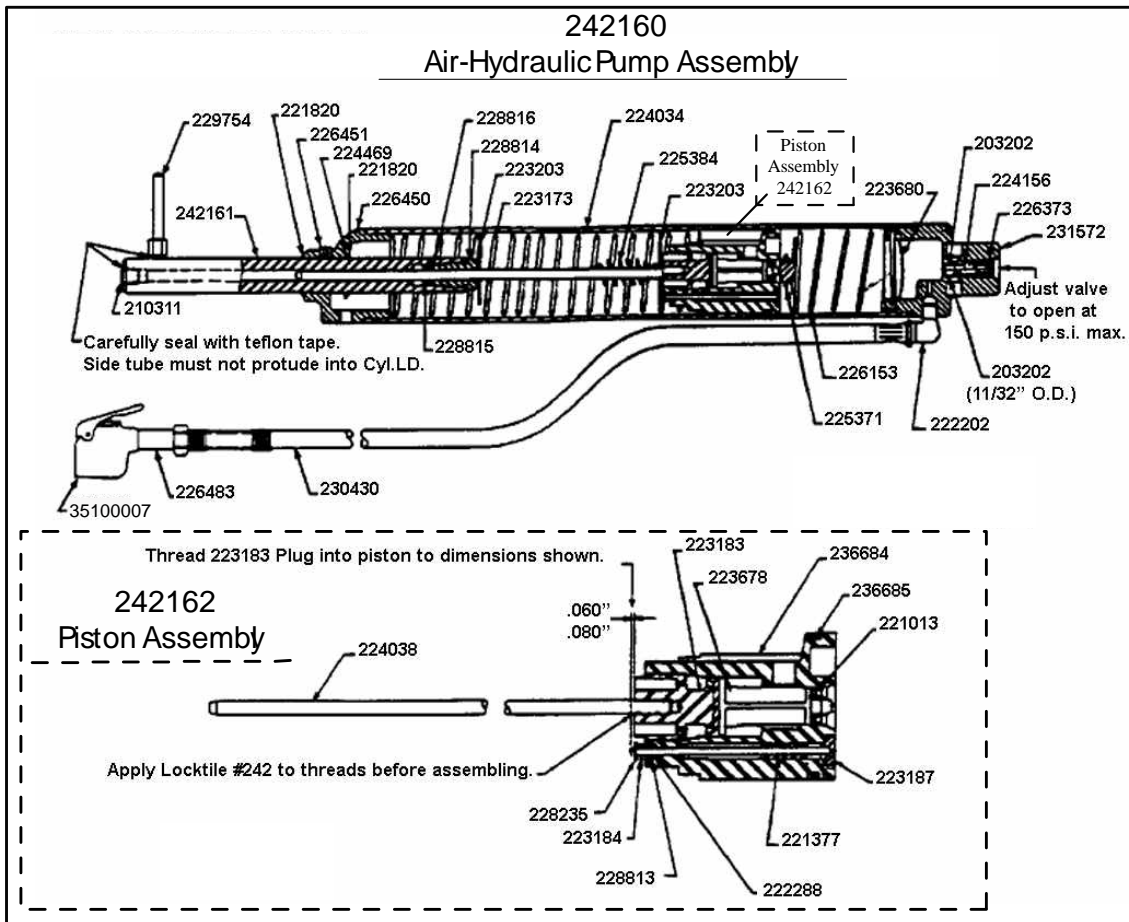
241994
Hydraulic Unit Assembly



NOTE: *Apply Never-Seez to threads before tightening
 **Apply Never-Seez to both ends and inside diameter of small end of tank before assembling



Service Parts for Model YA667B(continued) - Air Hyd. Pump



Parts List for Model YA667B

<u>Part#</u>	<u>Description</u>	<u>Qty</u>	<u>Part#</u>	<u>Description</u>	<u>Qty</u>	<u>Part#</u>	<u>Description</u>	<u>Qty</u>
200003	Gasket	1	204301	Washer	1	216645	Pin	1
200472	Screw	2	204303	Washer	1	216646	Pump Pin	1
201110	Lockwasher	4	204343	Washer	4	218988	Roll Pin	1
201479	Lockwasher	2	204372	Washer	1	219451	Hex Nut	2
201733	Plug	1	204444	Cotter Pin	3	220769	Cross Pin	1
201779	Lockwasher	2	204461	Cotter Pin	1	221013#	U-cup Packing	1
201784	Lockwasher	1	204842	Copper Gasket	1	221377	Roll Pin	1
201808	Rivet	2	209964	Lockwasher	2	221739	Poppet	1
203198	Ball (7/32" O.D.)	1	210225	Spacer	1	221740	Ball Stop Plug (7/16" L)	1
203199	Ball (1/4" O.D.)	1	210311	Pipe Plug	4	221742	Ball Stop Plug (3/4" L)	1
203200	Ball (9/32" O.D.)	1	210411	Washer	1	221764	Ram Quad Ring	1
203201	Ball (5/16" O.D.)	1	211341	Rivet	1	221766	Cylinder	1
203202	Ball (11/32" O.D.)	1	212227	Release Valve	1	221770	Low Pressure Pump	1
203205	Ball (7/16" O.D.)	1	213152	Packing Ring	2	221771	Washer	1
203299	Jam Nut	4	213171	Packing Ring	2	221772	Quad ring	1
203313	Jam Nut	2	213639	Bolt	1	221778	Washer	2
203332	Nut	1	214538	Groove Pin	4	221798	Retainer Ring	4
203344	Jam Nut	2	214555	O-ring	1	221817	Retainer Ring	2
204270	Washer	2	214699	Bushing	1	221820	Retaining Ring	1
204277	Washer	1	214700	Handle segment Assy.	1	221823	Parallel Link	2

...Continue on next page (page 18)

Parts List for Model YA667B (continued)

<u>Part#</u>	<u>Description</u>	<u>Qty</u>	<u>Part#</u>	<u>Description</u>	<u>Qty</u>	<u>Part#</u>	<u>Description</u>	<u>Qty</u>
221825	Parallel Link Pin	1	226353 •	Spring	1	233917 •	Plastic Spring	1
221829	Pin	1	226366	Hex Head Bolt	1	233921	Release stem	1
221937	Turning Knob	1	226372	Spring	1	234976	Cap Housing	1
221938	Roll Pin	1	226373	Adjusting Screw	1	236684	Piston	1
222088	Screen Assembly	1	226450	End block	1	236685	Sealing ring	1
222095	Release Stem Kit	1	226451	Set Screw	2	240564	Repair Kit (Hyd. Pump)	1
222098	Speed Pump Assy.	1	226483	Pipe Nipple	1	241780	Handle	1
222201 •	Spring	1	226615	Front Wheel	2	241885	Bellcrank	1
222202	Elbow	1	227052	Washer	1	241887	Handle Socket	1
222257	Plug Poppet Valve	2	227395	Plunger Assy.	1	241889	Liftcap	1
222288#	O-ring	1	227397	Release Link	1	241894	Sideplate Assy	1
222533 •	Screen	2	227399	Extension Rod	1	241895	Hydraulic Unit Cover	1
223166 •	Ram Screen	1	227436	Turning Rod Assy.	1	241907	Repair Kit (Hyd. Unit) -	
223172	Hose Clip	1	228235	Cotter Pin	1	241955	Sideplate Assy	1
223173	Return Spring	1	228257 •	U-cup	1	241956	Fulcrum Pin	1
223179	Hose Clip	2	228354	Universal Linkage	1	241983	Sideplate Tie Rod	2
223183	Plug	1	228813	Washer	1	241985	Support Rod	1
223184	spring	1	228814#	Glant Nut	1	241986	Front Axle	1
223187#	Valve & Plunger	1	228815#	u-cup Packing	1	241987	Retainer ring	4
223203	Trip Washer	2	228816#	Washer	1	241988	Handle Pivot Pin	1
223213	Gland Nut	1	228875	Spring	1	241989	Extension spring	2
223220	Handle & Cross Bar	1	228881	Grip	2	241992	Hydraulic Unit Casting	1
223678	Packing & Piston	1	229392	Serial plate	1	241994	Hydraulic Unit Assy.	1
223680	Screen	1	229748 •	Heel Plate	3	242160	Air Hyd. Pump Assy.	1
224034	Air Cylinder	1	229749	Washer	1	242161	Pump Cylinder	1
224038	Pump Rod	1	229750	Ram	1	242162	Piston Assy	1
224081	Screw	3	229751	Pin	1	243098	U-bolt	1
224156	Spring	1	229754	Extension tube	1	243101	Sleeve	1
224344	Ball Stop Plug	1	230003 •	Back-up Washer	1	35100007	Air Valve	1
224414	Retaining Ring	1	230007	U-bolt	1			
224469	Washer	1	230430	Air Hose Assy.	1	YA667-K0	Label Kit (not shown)	
225371	Rubber Cushion	1	230583	Ram Assy.	1	YA657-M0	Manual	
225384	Trip Spring	1	230753	Suction Tube	1			
225906	Bracket, Speed pak	1	231316	Vent Valve Assy.	1			
226019	Lock Nut	4	231572	Cylinder Cap	1			
226153	Spring	1	231583	Rear Caster	2			
226314	Gland Nut	1	231638	Filler Screw	1			
226318	Grease fitting	1	231710	Oil Tank	1			
226319	Bellcrank Pin	1	232968 •	Back-up Washer	1			
226324	Pressure Plug	1	232969 •	U-cup	1			
226325	Pump Link	2	232970	Pressure Pump	1			
226326	Nut	1	232971	Pressure Pump Kit	1			
226327	Slotted tube	1	233110	Pump U-cup	1			
226329	Pin	1	233798	Tank Nut	1			
226331 •	Spring	1	233880	Tank Nut & Quad Ring	1			

LIMITED WARRANTY STATEMENT

Snap-on Tools warrants this product to be free from defects in material and workmanship for a period of 1 year from date of purchase. This warranty applies to the original purchaser (end user) only and is not transferable. Damaged components and assemblies i.e. bent ram and pump pistons, dented reservoirs, cracked or altered components, are the result of misuse, misapplication or a combination of both. These conditions will not be considered for warranty credit. We have complete confidence that the Snap-on product you purchase will meet or exceed your performance requirement. However in the unlikely event that a Snap-on product fails due to material or workmanship defect within the warranty period you may contact your retailer for disposition or you may contact an Authorized Service Center listed in the product owner's manual. Except where such limitations and exclusions are specifically prohibited by law, the consumer's sole and exclusive remedy shall be the repair or replacement of the defective product. Snap-on shall not be liable for any consequential or incidental damage or loss whatsoever, and the duration of any and all expressed and implied warranties, including without limitation, any warranties of merchantability and fitness for a particular purpose, is limited to a period of 1 year from date of purchase. Some States do not allow the exclusion or limitation of incidental or consequential damages, so the above may not apply to you. This warranty gives you specific legal rights. You may also have other rights which vary from state to state.
