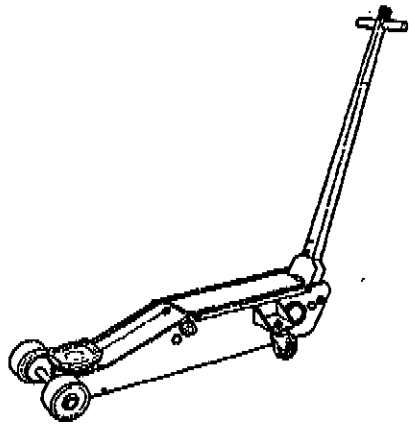


Snap-on**MODEL YA660
HYDRAULIC SERVICE JACK
(10 TON) SERIES: "E"****OWNERS MANUAL**


SPECIFICATIONS	
RATED LIFTING CAPACITY	20,000 lbs
LOW PICK UP HEIGHT	5-7/8"
HIGH LIFTING POINT	25"
LIFT CAP SIZE (SQUARE)	7-1/2"
CHASSIS LENGTH	53-3/8"
CHASSIS HEIGHT	9-3/4"
HANDLE LENGTH	50"
FRONT WHEEL DIAMETER	6"
CASTER WHEEL DIAMETER	4"
SHIPPING WEIGHT	410 lbs

DESCRIPTION

Model 93660 jack is designed for shops where heavy equipment is serviced. The jack provides the following features:

- Dual action pump raises the jack quickly to contact a vehicle lift surface.
- Long chassis and handle reaches under long, low vehicles.
- Handle adjusts to three pumping positions for operator convenience and low clearance vehicles.
- Automatic overload protection prevents overloading and exceeding the jack rated lifting capacity.

OWNER/OPERATOR RESPONSIBILITY

It is the owner/operator responsibility to properly use and maintain this equipment.

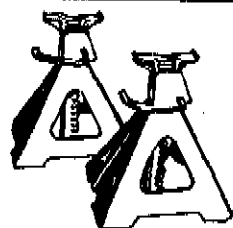
The instructions and warning contained in this manual shall be read and understood by the owner/operator prior to operating this equipment.

If an owner/operator does not understand English, the contents of this manual shall be explained in the owner/operator native language to assure the owner/operator comprehends.

It is the owners/operators responsibility to maintain the legibility of all warning and instruction labels.

The owner/operator shall retain this manual for future reference to important warnings, operating and maintenance instructions.

! WARNING



— FOR YOUR SAFETY —
Use vehicle stands to support the vehicle before getting under it.

! WARNING

FAILURE TO FOLLOW WARNINGS MAY RESULT IN INJURY OR PROPERTY DAMAGE

—USE VEHICLE STANDS— AFTER LIFTING

- Use only as a lifting device.
- Center the load on the saddle.
- Lift only at locations suggested by the vehicle manufacturer.
- Use jack and vehicle stand saddle lugs for gripping.
- Do not exceed rated capacity.
- Use on hard level surfaces.
- Set parking brakes and chock wheels.
- Do not crawl under vehicle when placing stands.
- Lower the vehicle slowly.
- For safety, follow instructions in Owner's Manual.

Snap-on

©SNAP-ON TOOLS CORPORATION, KENOSHA, WI 53141-1410

Copyright 1989
Printed in U.S.A.Section - **W1**Page - **8H**

SERVICE PARTS

Lincoln provides Factory Authorized Service Centers that stock equipment and replacement parts. Contact Lincoln Customer Service, One Lincoln Way, St. Louis, MO 63120-1578, (314) 679-4300 for your nearest Service Center.

When ordering replacement parts, list: part number, description, model number, and series letter.

