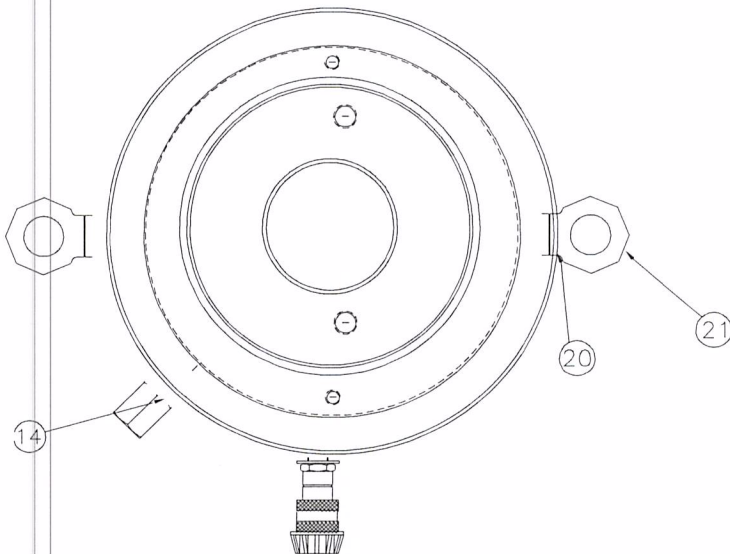
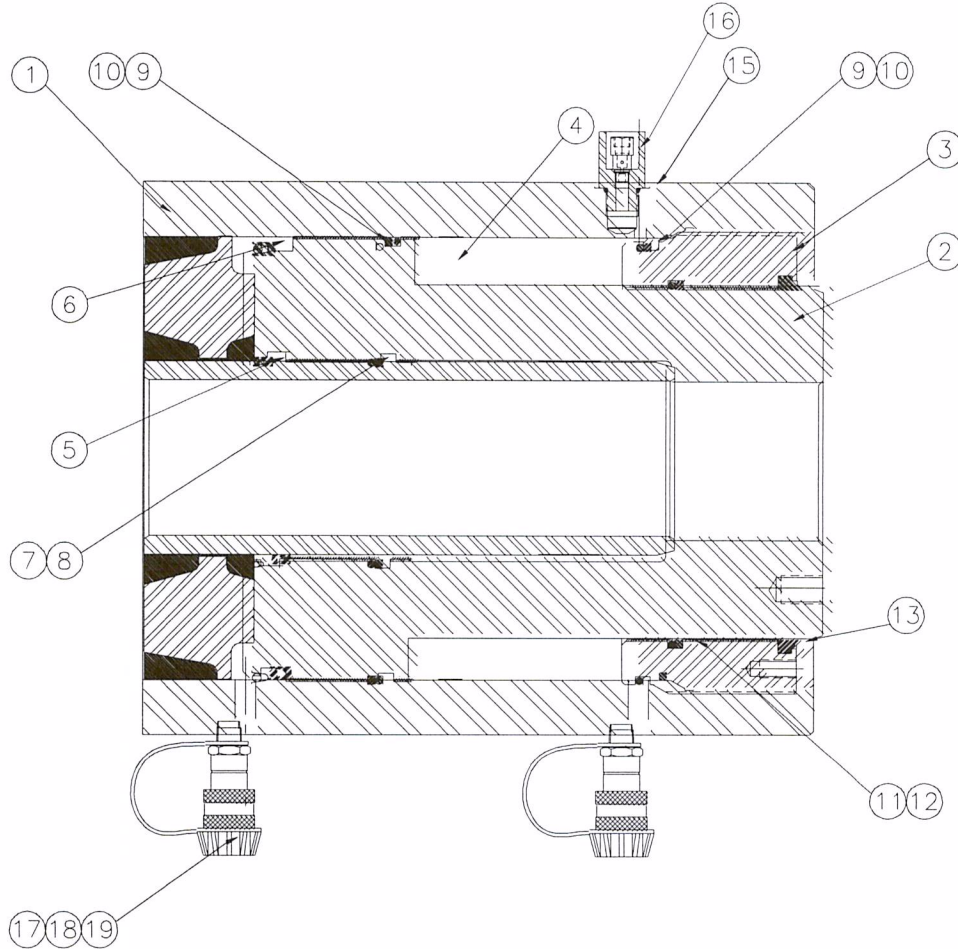




# RCD3006, RCD30012 TON CYLINDER REPAIR PART SHEET

PART SHEET #: 86183  
REV. A  
09/06



## RCD300 TON SERIES CYLINDER PART LIST

ITEM #	DESCRIPTION	RCD3006	RCD30012	QTY.
		13402	13403	
01	BODY CEN HOLE	5713000	5713001	1.00
02	RAM	5713005	5713006	1.00
03	RET NUT	5713016	5713016	1.00
05	POLYPAK	56012215	56012215	1.00
06	POLYPAK	56012086	56012086	1.00
07	O-RING	5602431	5602431	1.00
08	BACK-UP RING	5608431	5608431	1.00
09	O-RING	5602452	5602452	2.00
10	BACK-UP RING	5608452	5608452	2.00
11	O-RING	5602448	5602448	1.00
12	BACK-UP RING	5608448	5608448	1.00
13	WIPER RNG	5601371	5601371	1.00
14	RELIEF VALVE ADAPTER	45003	45003	1.00
15	O-RING SAE	5603910	5603910	1.00
16	RELIEF VALVE	4000030	4000030	1.00
17	HEX ST. PIPE PLUG 3/8 NPTF	87145	87145	2.00
18	FEMALE COUPLER 3050-3	40858	40858	2.00
19	DUST CAP	CR215	CR215	2.00
20	WASHER EYEBLT	43306	43306	2.00
21	SWIVEL EYE BOLT	43309	43309	2.00
NS	SIMPLEX LOGO LARGE	89967	89967	1.00



SIMPLEX products are warranted to be free of defects in materials and workmanship under normal use for as long as the original purchaser owns them, subject to the guidelines and limitations listed. This warranty does not cover: normal wear & tear, cosmetic items, abuse, overloading, alterations, improper fluid, or use in a manner for which they are not intended. If the customer believes a product is defective, the product must be delivered, or shipped freight prepaid, to the nearest SIMPLEX Authorized Service Center for evaluation and repair.

2525 GARDNER ROAD \* BROADVIEW \* ILLINOIS \* 60155 \* PHONE (708) 865-1500 \* FAX (708) 865-0894