



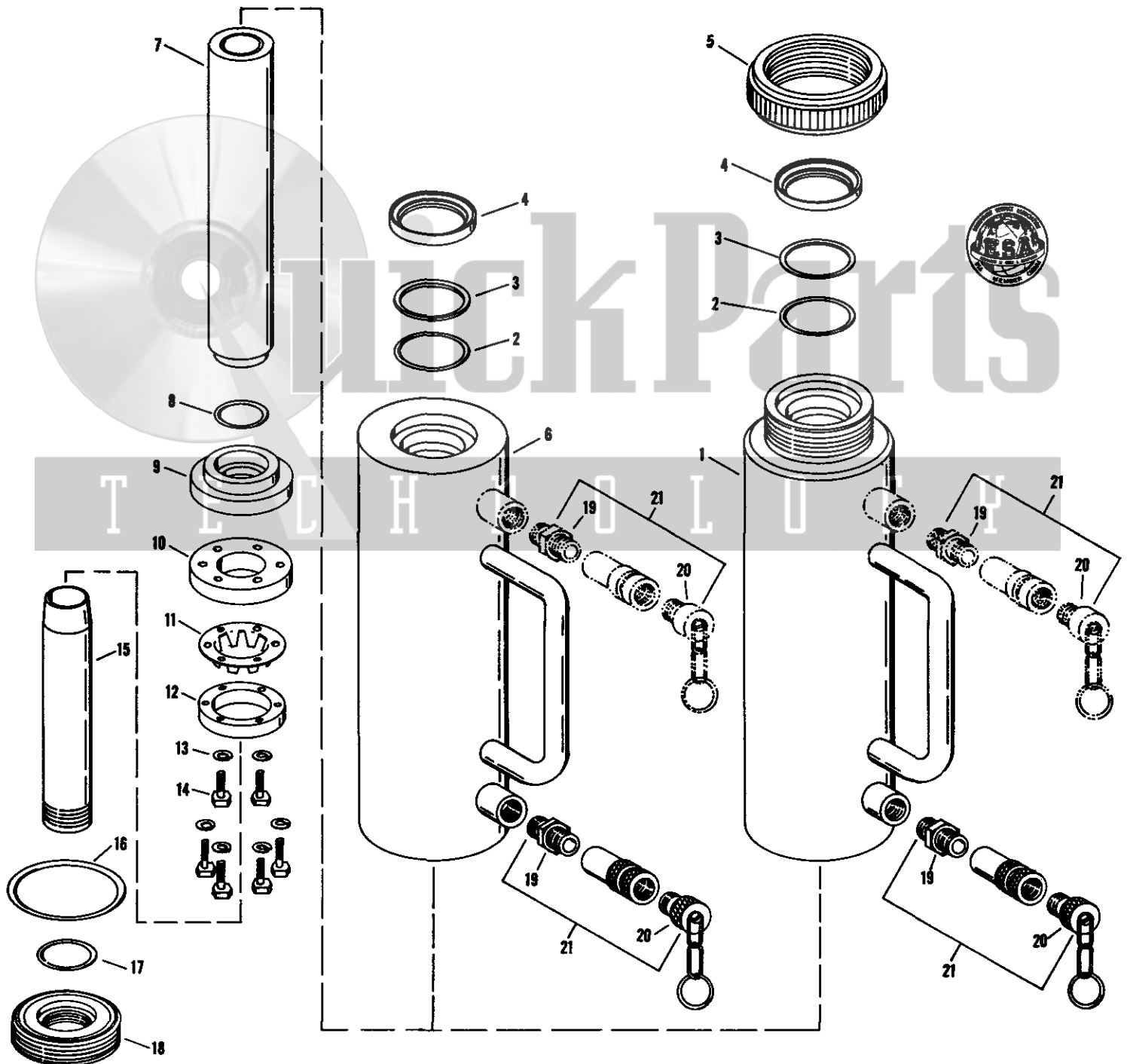
TEMPLETON, KENLY & COMPANY

GARDNER ROAD and 16th STREET
PHONE 312 - 865-1500

BROADVIEW, ILLINOIS 60153
TWX 910 - 226-1965

30 TON CENTER HOLE RAM REPAIR PARTS SHEET

RC 306 P - RC 306 C RC 315 P - RC 315 C



GUARANTEE



Templeton, Kenly & Co., Broadview, Ill., guarantees its Products against defects in workmanship and materials for 1 year from date of delivery to the user. When question of warranty arises, the user should send his unit to the nearest Simplex Authorized Service Depot for inspection, transportation prepaid and evidence of purchase date furnished.

If the difficulty comes under the terms of our guarantee, the Authorized Service Depot will repair, or replace parts affected and return prepaid. Our guarantee does not cover ordinary wear and tear, abuse, misuse, overloading, altered products or use of improper fluid.

TEMPLETON, KENLY & COMPANY

16TH & GARDNER RD., BROADVIEW, ILLINOIS

PARTS LIST

ITEM NO.	PART NAME	NO. REQ	ORDER NO.			
			RC306P	RC306C	RC315P	RC315C
1	Housing Threaded	1	----	1820	----	5278
2	"O" Ring	1	----	----	*	*
3	Back Up Washer	1	----	----	*	*
4	Oil Seal	1	1826	1826	1826	1826
5	Protector Collar	1	----	1808	----	1808
6	Housing Plain	1	1824	----	1829	----
7	Ram Plunger	1	1817	1817	1831	1831
8	"O" Ring	1	*	*	*	*
9	Ram Follower	1	0529	0529	0529	0529
10	"U" Leather	1	*	*	*	*
11	Sealing Spring	1	0532	0532	0532	0532
12	Filler Ring	1	0531	0531	0531	0531
13	5/16 Lock Washer	6	3942	3942	3942	3942
14	5/16-18x7/8 Hex. Hd. Cap Scr	6	3537	3537	3537	3537
15	Center Sleeve	1	1818	1818	1818	1818
16	"O" Ring	1	*	*	*	*
17	"O" Ring	1	*	*	*	*
18	Base	1	1807	1807	1807	1807
19	Stud Insert	1	2210	2210	----	----
19	Stud Insert	2	----	----	2210	2210
20	Dust Cap Ram Half	1	2213	2213	----	----
20	Dust Cap Ram Half	2	----	----	2213	2213
21	Ram Half Coupling Incl. Items 19 & 20 **	1	18211	18211	----	----
21	Ram Half Coupling Incl. Items 19 & 20 **	2	----	----	18211	18211
	Decal	1	6770*	6766*	7794*	7795*
	Packing Kit		1782	1782	1833	1833

* Contained In Packing Kit - Not Sold Separately

** See General Catalog & Price Sheet

TEST DATA

RC306	Capacity 30 Tons @ 9200 PSI On 6.53 Sq. In. Ram Area. Lift 6 Inches
RC315	Capacity 30 Tons @ 9200 PSI On 6.53 Sq. In. Ram Area. Lift 5 Inches