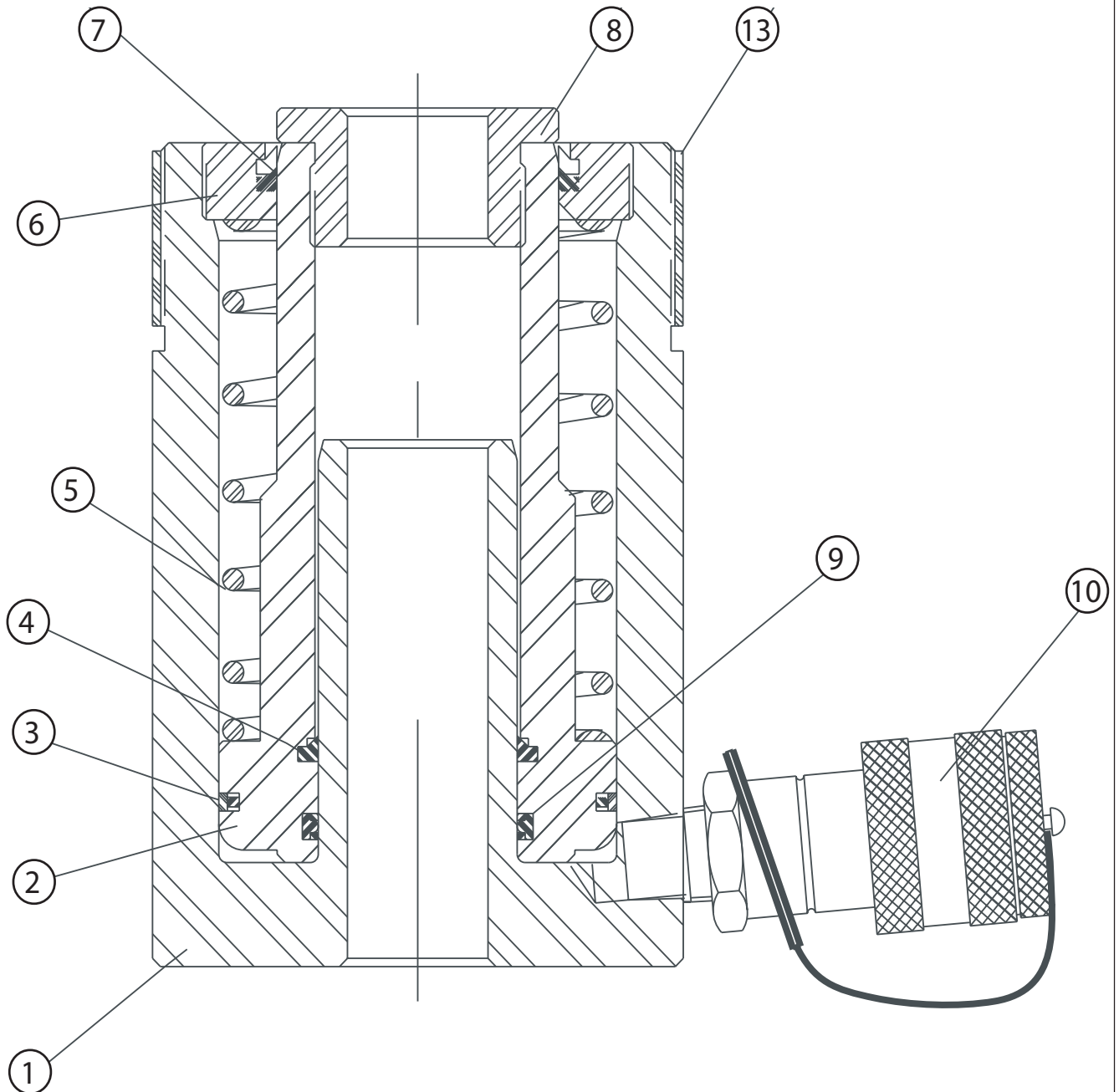




# RC SERIES CENTER HOLE CYLINDERS REPAIR PART SHEET

REV. B  
05/04



**CAUTION:** When removing the retaining nut (#6) care must be taken to prevent the retaining nut from being thrown upward due to the return spring force (#5). When reinstalling the retaining nut against the spring force, alignment is critical. If necessary, replace damaged or worn product / warning labels.



# 12 THROUGH 100 TON SINGLE-ACTING SPRING RETURN CENTER HOLE CYLINDERS PARTS LIST

ITEM NO.	DESCRIPTION	PART NO.												QTY
		RC120	RCQ120	RC121	RC1211	RC123	RC202	RC206	RC302	RC306	RC603	RC606	RC1003	
1	Housing	41457	41457	40710	40710	40711	40721	40980	40730	40731	40743	40744	40755	1
2	Piston	41459	41458	40712	41491	40713	40722	40982	40732	40733	40745	40746	40756	1
*3	Piston Seal	*	*	*	*	*	*	*	*	*	*	*	*	1
*4	Lower Wiper	*	*	*	*	*	*	*	*	*	*	*	*	1
5	Spring	41460	41460	40719	40719	40720	40725	40967	40736	40737	40749	40750	40759	1
6	Retaining Nut	41461	41461	40716	40716	40716	40726	40726	40738	40738	40751	40751	40763	1
*7	Upper Wiper	*	*	*	*	*	*	*	*	*	*	*	*	1
8	Load Cap	*	*	*	*	*	40728	40728	40741	40741	40753	40753	40761	1
*9	Piston Rod Seal	*	*	*	*	*	*	*	*	*	*	*	*	1
10	RAM 1/2 Coupler			18211	18211	18211	18211	18211	18211	18211	18211	18211	18211	1
11	or Plug	87492	87492											1
12	Logo Decal	88188	88188	88187	88187	88186	88186	88165	88186	88165	88165	88165	88165	1
13	Warning Decal	87753	87753	80827	80827	80827	80827	80827	80827	80827	80827	80827	80827	1
	Thread Protector	41794	41794	41794	41794	41794	41791	41791	41729	41792	41793	41793	41793	1
	Carrying Handle													2
	Handle Rivet													2
	Packing Kit	55137	55137	55137	55137	55137	55140	55140	55141	55141	55143	55143	55145	1

\*Included in Packing Kit



SIMPLEX products are warranted to be free of defects in materials and workmanship under normal use for as long as the original purchaser owns them, subject to the guidelines and limitations listed. This warranty does not cover: normal wear & tear, cosmetic items, abuse, overloading, alterations, improper fluid, or use in a manner for which they are not intended. If the customer believes a product is defective, the product must be delivered, or shipped freight prepaid, to the nearest SIMPLEX Authorized Service Center for evaluation and repair.

**2525 GARDNER ROAD \* BROADVIEW \* ILLINOIS \* 60155 \* PHONE (708) 865-1500 \* FAX (708) 865-0894**