



Repair Parts Sheet

Pow'r Riser Lifting Jacks PR Series - 150 Ton Air Models

TD163 Rev. D 04/2022

For Date Codes Beginning with the Letter "B"

To Protect Your Warranty, Use Only SIMPLEX Hydraulic Oil.

Simplex recommends that all kit components be installed to insure optimum performance of the repaired product.

Note: This illustration is for reference only.
The appearance of your unit may differ from
the unit shown.

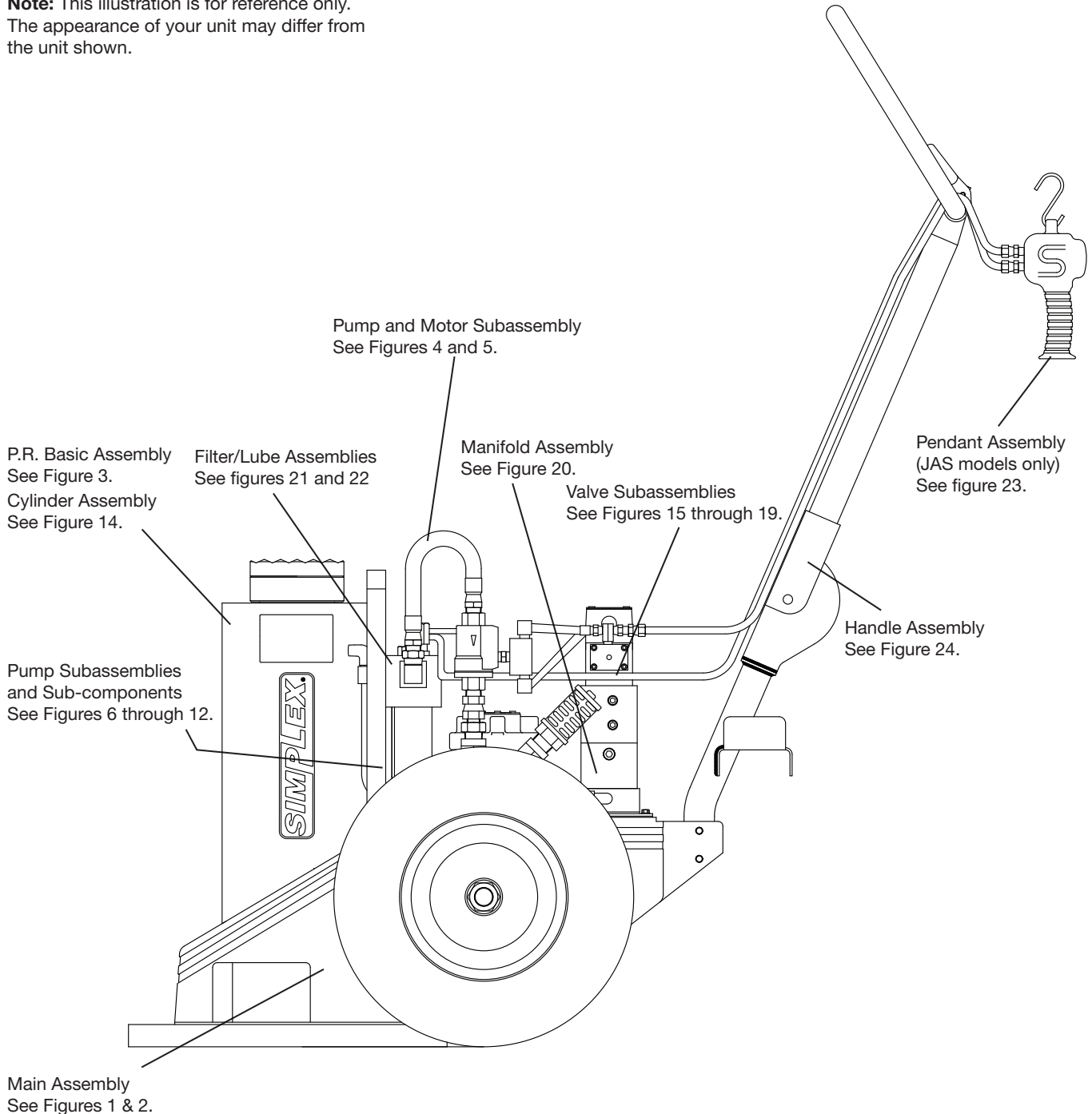
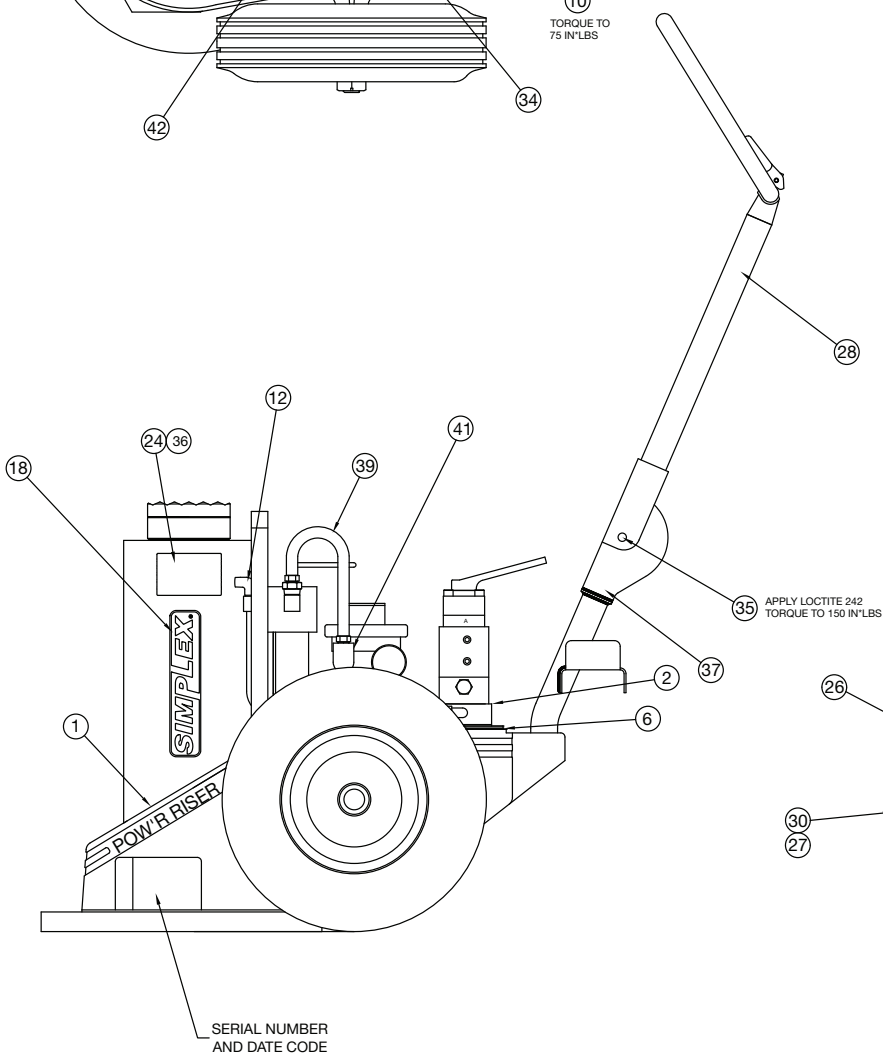
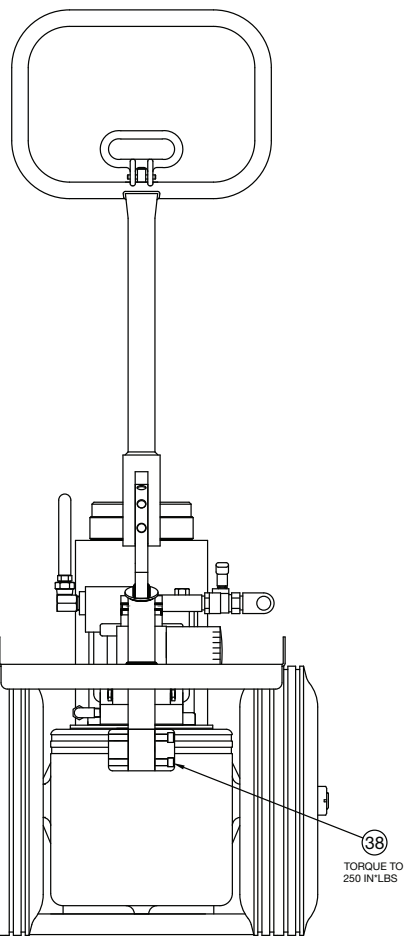
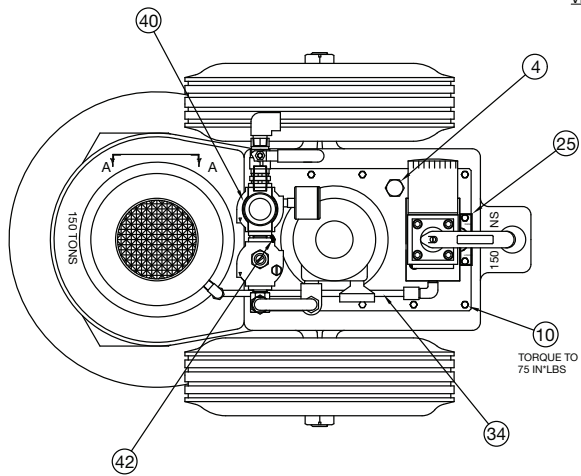
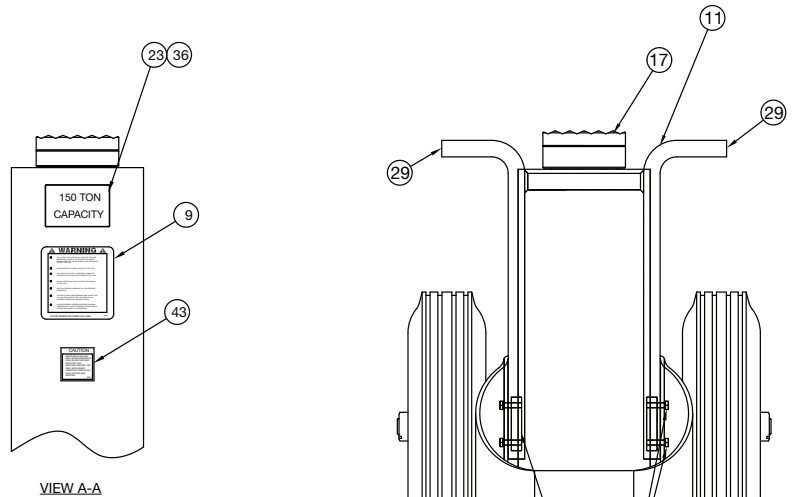


Figure 1 - Main Assembly JA Models

Note: This illustration is for reference only. The appearance of your unit may differ from unit shown.

Testing Procedure:

Load to full rated capacity, hold and check. No drift allowed. Lift 2.75-1.75" @ 1 minute. Lower and check load holding .31" drift max. before load lock off.



Repair Parts List (Refer to figure 1)				
Item	Model		Qty.	Description
	JAI5026	JAI5037		
1	42045SS	41943SS	1	PR Basic Asm (See Fig 3)
2	46460SS	46460SS	1	Subassembly, Pump and Motor (see Figure 4)
4	S88743	S88743	1	Plug Hex O-Ring
6	S85469	S85469	1	Gasket
9	89292	89292	1	Decal, Warning PWR R
10	S69429	S69429	14	Screw 1/4-20 x 3/4" St
11	S42358	N/A	1	Lifting Bar 24" PR
12	S40085	S40085	1	Male Elbow 3/8-3/8"
13	S42363	N/A	4	HCS 5/16-18 x 1.25" Plt.
14	S93942	N/A	4	Lock Washer 5/16"
15	S42365	N/A	2	Nut Plt - Lift Bar
17	S42208	S42208	1	Load Cap PR Long Stm
18	89967	89967	1	Simplex Logo - Large
23	42532SS	42532SS	1	Label 150 Ton Capacity
24	46459	46485	1	Model Label
25	S86027	S86027	1	Control Valve Plate
26	41944SS	41944SS	2	Tire/Rim Assembly
27	S41945	S41945	2	Spacer
28	41961SS	41961SS	1	Handle Assembly (see figure 24)
29	S43021	N/A	2	Square Hole Plug PR
30	S46053	S46053	2	1"-8 Hex Lock Nut
34	41977S	S41978	1	Tube
35	S41983	S41983	1	Screw Shoulder
36	S46359	S46359	2	Decal Overlay
37	S42281	S42281	1	Lower Weldment 5" PR
38	84692	84692	2	SHC 3/8-16 x 1.75"
39	S41779	S41779	1	Air Tubing PR
40	DS1037900SS	DS1037900SS	1	Filter/Lubricator ASM (see figure 21)
41	S86244	S86244	1	Street Elbow
42	S69264	S69264	1	Breather Vent
43	88111	88111	1	Caution Decal

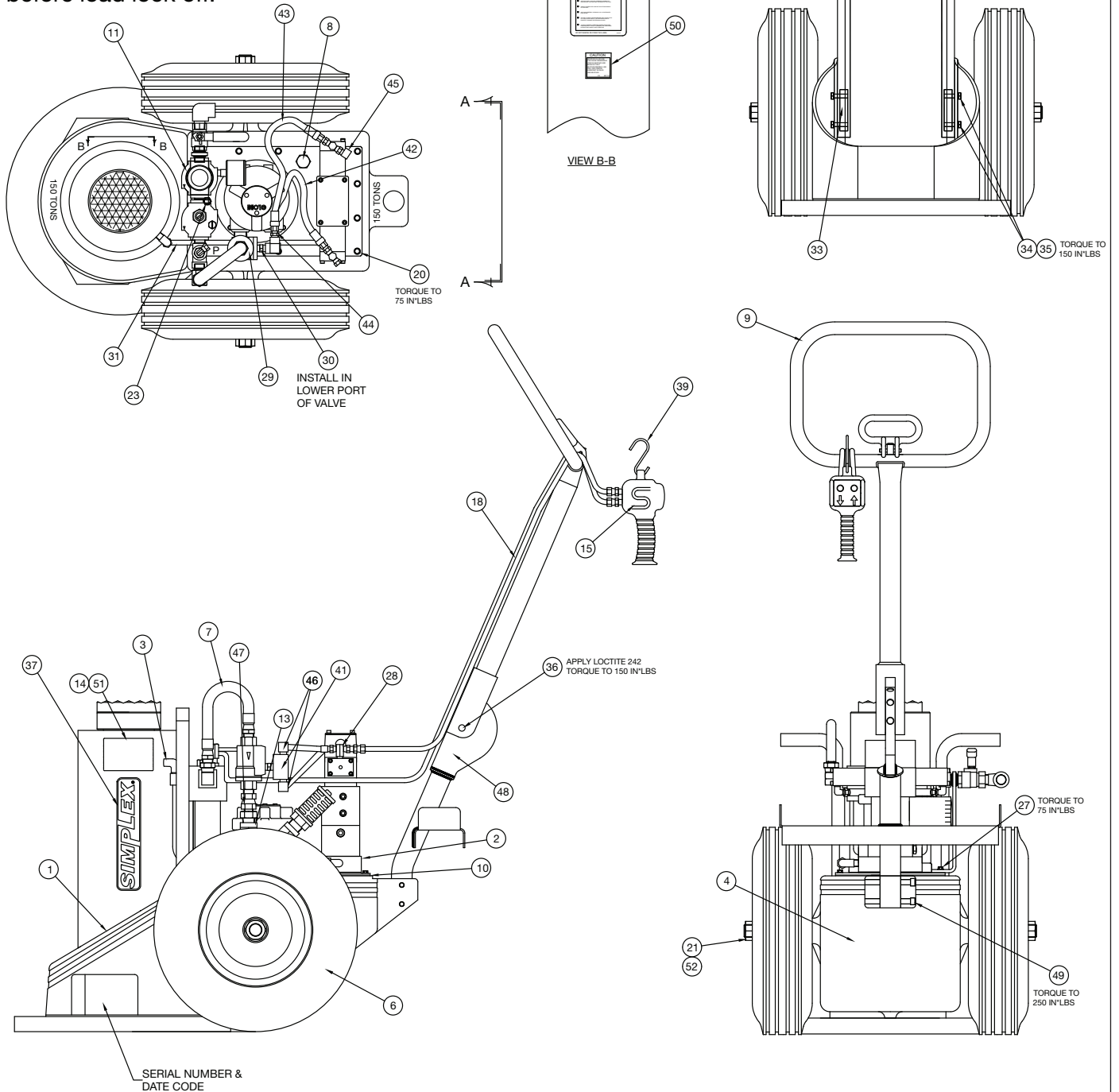
N/A = Not Available.

Figure 2 - Main Assembly JAS Models

Note: This illustration is for reference only. The appearance of your unit may differ from unit shown.

Testing Procedure:

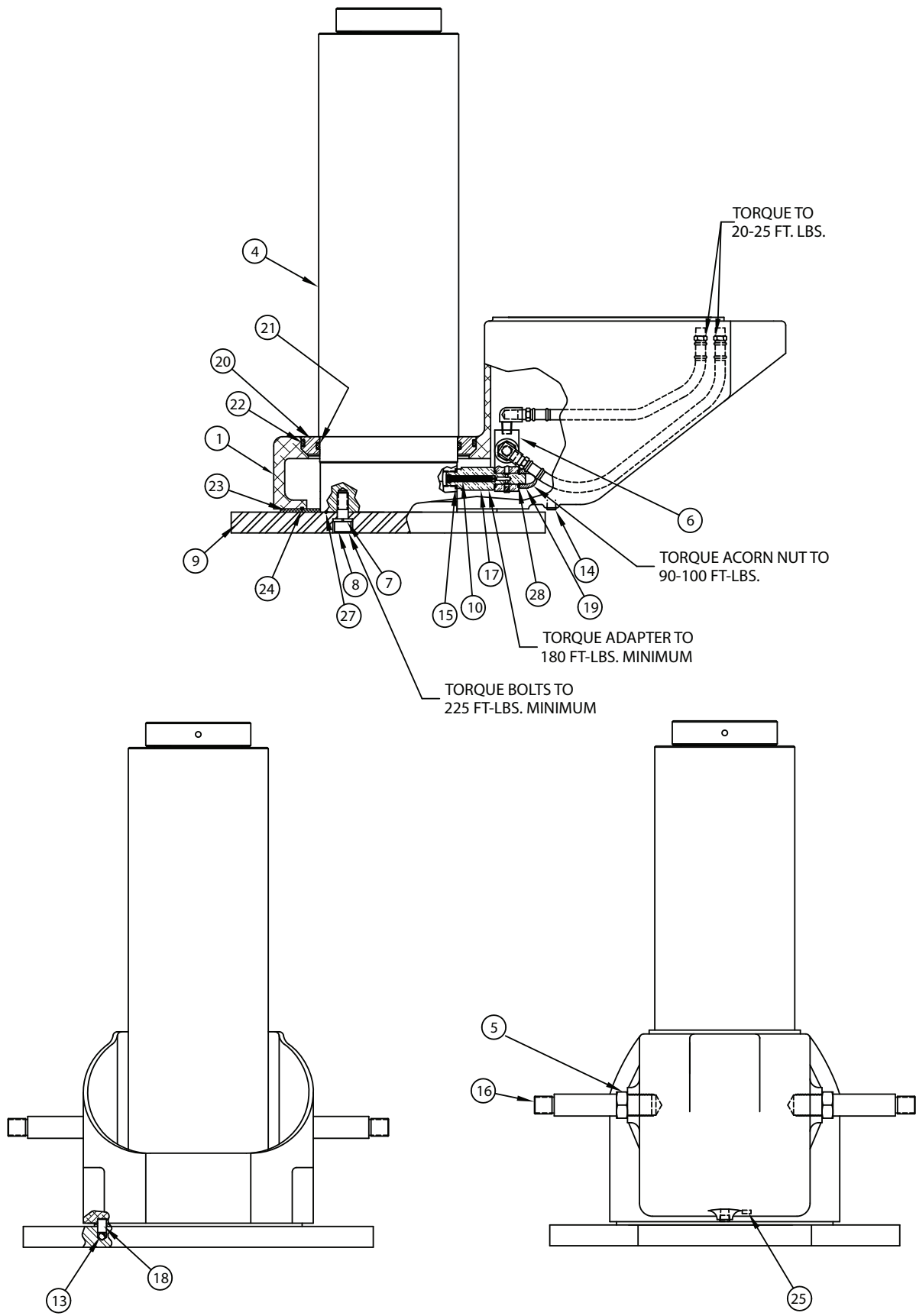
Load the jack to full rated capacity, hold and check. No drift allowed. Lift 2.75-1.75" @ 1 minute. Lower and check load holding .31" drift max. before load lock off.



Repair Parts List (Refer to figure 2)				
Item	Model		Qty.	Description
	JAS15026	JAS15037		
1	42045SS	41943SS	1	PR Basic ASM. (see figure 3)
2	69769SS	69769SS	1	Pump Sub ASM 100T PR (see figure 5)
3	S40085	S40085	1	Male Elbow 3/8-3/8 Ferulok
5	S42208	S42208	1	Load Cap PR Long STM
6	S41944	S41944	2	Semi Pneumatic Tire
7	S41779	S41779	1	Air Tubing Powr Rise
8	S88743	S88743	1	Plug Hex O-Ring
9	41961SS	41961SS	1	Handle ASM (see figure 24)
10	S85469	S85469	1	Reservoir Gasket
11	DS1019900SS	DS1019900SS	1	Filter/Lubricator/Regulator ASM (see figure 22)
12	S43021	NA	2	Square Hole Plug PR
13	S86243	S86243	1	Elbow Male 1/2 NPT Pipe
14	42445	42446	1	Model Label
15	41950SS	41950SS	1	Motor Pendant Air (see figure 23)
16	42532SS	42532SS	1	150 Ton Capacity LBL
18	S41965	S41965	1	Hose-EA.
19	89292	89292	1	Decal, Warning-PWR.RI
20	S69249	S69249	14	HHFCS, 1/4-20 X .625
21	S46053	S46053	2	Hex Lock Nut 1"-8
23	S69264	S69264	1	Breather Vent
24	NA	S42505	1	Hanger 10" Lock Ring
25	NA	S42552	4	SHCS 10-32 X 1/2" SS
26	NA	S93940	4	Lockwasher #10
28	S42968	S42968	2	1/8 Swivel Tee
29	SDS1024660	SDS1024660	1	Air Control Valve
30	S45970	S45970	1	Male Hex Nipple 1/4 - 1/8
31	41977S	S41978	1	Tube
32	S42358	NA	1	Lifting Bar 24" PR
33	S42365	NA	2	Nut PLT - Lift Bar
34	S42363	NA	4	HHCS 5/16-18 X 1.25 PLT
35	S93942	NA	4	5/16" Lock Washer Zinc Plate
36	S41983	S41983	1	Screw Shoulder
37	89967	89967	1	Simplex Logo Large
39	S42367	S42367	1	S-Hook Pendant
41	S44245	S44245	1	Shuttle Valve
42	S43099	S43099	1	Hose 1/4" 10.5LG
43	S43098	S43098	1	Hose 1/4" 12.25LG
44	S42667	S42667	2	Reducer 1/4"-1/8"
45	S42966	S42966	1	1/8" Street Elbow
46	S18970	S18970	2	Elbow 1/4 90Deg STRT
47	S42967	S42967	1	1/2" Straight Swivel
48	S42281	S42281	1	Lower Weldment 5" PR
49	84692	84692	2	SHCS 3/8-16 X 1.75
50	88111	88111	1	Caution Decal
51	S46539	S46539	2	Decal Overlay
52	S41945	S41945	2	Spacer

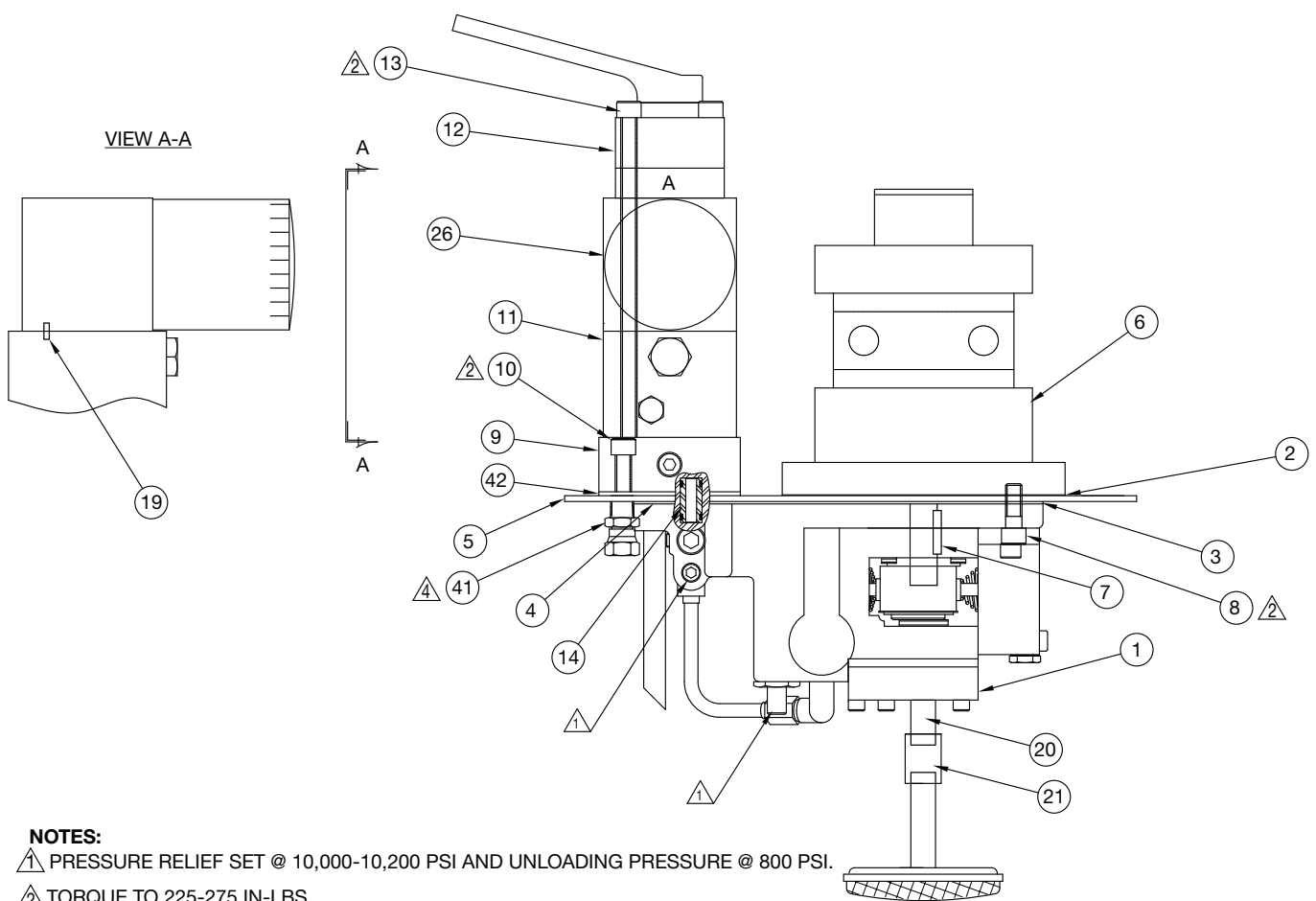
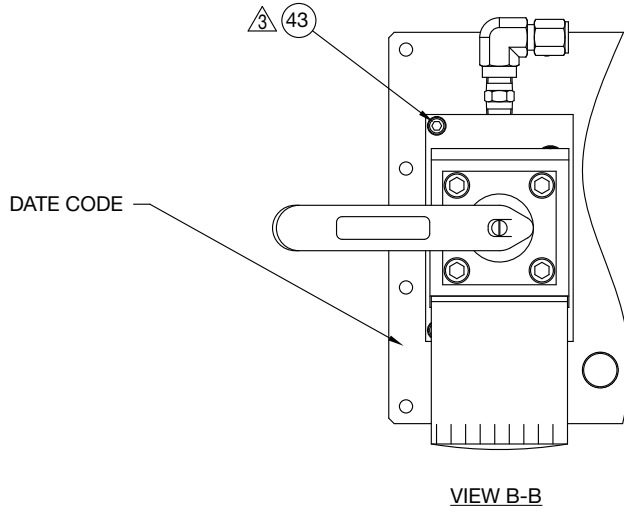
N/A = Not Available.

Figure 3 - 42045SS, 41943SS Pow'r Riser Basic Assembly



Repair Parts List (Refer to figure 3)				
Item	Model		Qty.	Description
	JAS15026 JA15026	JAS15037 JA15037		
BASIC ASSY	42045SS	41943SS		
1	S41886	S41886	1	Housing Mach P. R.
4	S42050SS	41926SS	1	150 Ton Cylinder Assy. (see figure 14)
5	S85477	S85477	2	Jam Nut
6	42353SS	42353SS	1	O.C. Valve and Hoses
7	S93947	S93947	6	Lock Washer 5/8"
8	S93605	S93605	6	SHCS 5/8-11 x 1.5" Lg.
9	S41975	S41975	1	P.R. Base
10	S89754	S89754	1	Screen - 2" Nipple
13	S44968	S44968	2	Rubber Ball 3/8" 70
14	S93950	S93950	1	1/4" Soc Pipe Plug
15	◆	◆	1	Gasket Adapter
16	S41948	S41948	2	Axle Shaft
17	S41947	S41947	1	Adapter O.C. Valve
18	S42275	S42275	2	PR Base Pin
19	S46740	S46740	1	Acorn Nut 5/8-11
20	S41974	S41974	1	Ring 150 Ton
21	◆	◆	1	O-Ring 7-3/4" X 8-1/4"
22	◆	◆	1	O-Ring 9" x 9-1/2"
23	◆	◆	1	Gasket Base
24	◆	◆	1	O-Ring Power Riser
25	66021	66021	1	Magnet
27	◆	◆	1	O-Ring 7" x 7-1/4"
28	S68183	S68183	2	Gasket Plug
◆ Included in 54411 Repair Kit.				

Figure 4 - 46460SS Pump and Motor Sub-Assembly (JA models only)

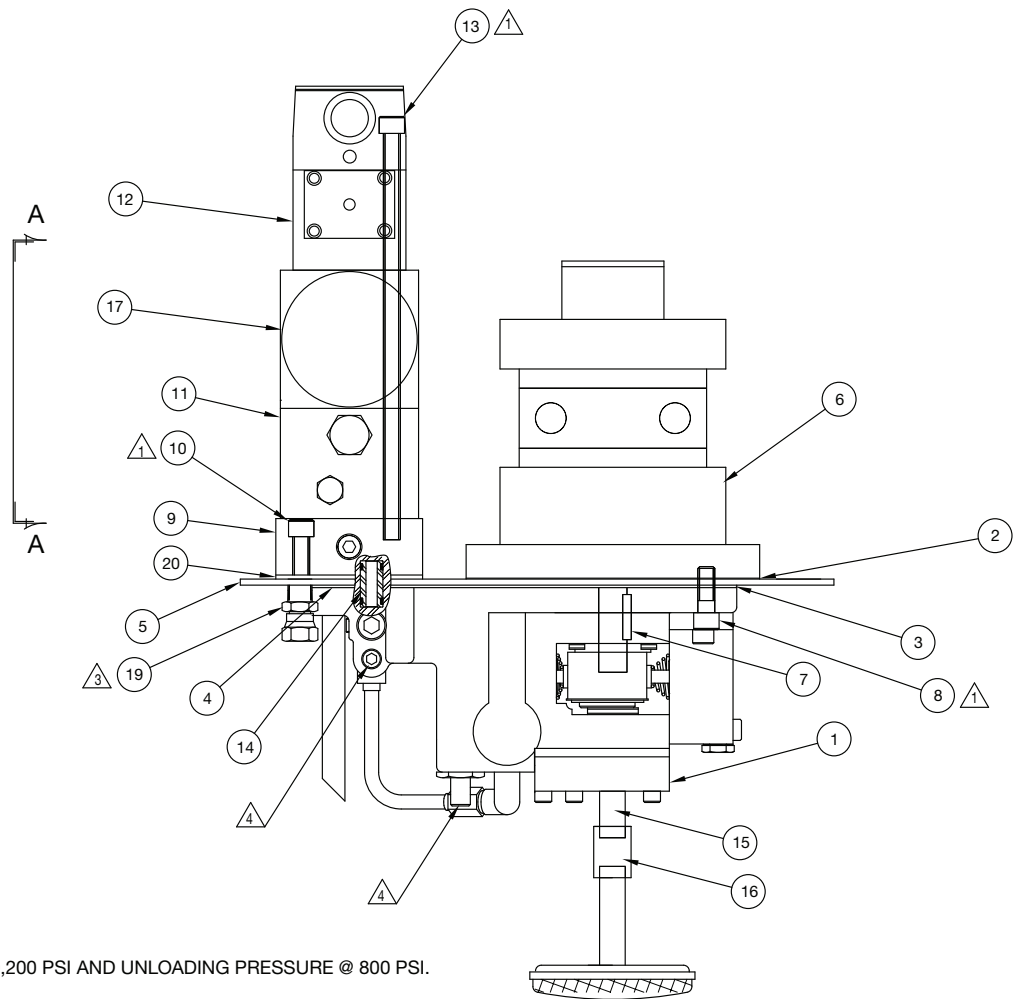
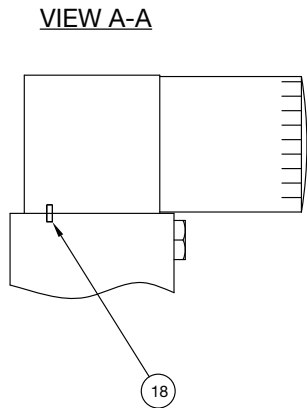
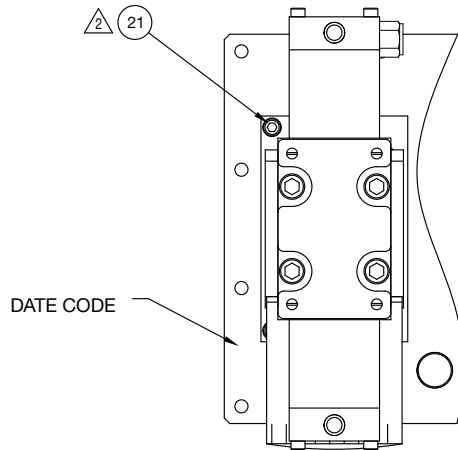


NOTES:

- ▲ PRESSURE RELIEF SET @ 10,000-10,200 PSI AND UNLOADING PRESSURE @ 800 PSI.
- ▲ TORQUE TO 225-275 IN-LBS.
- ▲ TORQUE TO 75-100 IN-LBS.
- ▲ TORQUE TO 325-375 IN-LBS.

Repair Parts List (Refer to figure 4)			
Item	Part Number	Qty.	Description
1	(See Fig. 6)	1	Pump Asm
2	★	1	Gasket-Motor
3	★	1	Gasket-Pump @ Motor
4	★	1	Gasket-Pump @ Valve
5	DD6038101S	1	Reservoir Cover Plate
6	♣ ■	1	Air Motor 8AM
7	S69026	1	Pin Dowel 3/16-1
8	S93596	2	SHCS 3/8-16 x 1-1/4
9	(See Fig. 20)	1	Manifold Asm NPR
10	S86184	3	SHCS 3/8-16 x 1-1/2"
11	(See Fig. 19)	1	Locking Valve w/relief
12	(See Fig. 15)	1	Control Valve Asm.
13	S42383	4	SHCS 3/8-16 x 8.0"
14	(See Fig. 12)	1	Adapter Assy.
19	561604	1	Roll Pin 1/8 x 3/8" Lg.
20	S69442	1	Nipple 1/4 NPT x 3"
21	S80241	1	Pipe Coupling 1/4"
26	(See Fig. 11)	1	Filter Block Asm
41	S41964	2	Swivel Fitting
42	DD6106037S	1	Valve Gasket
43	93584	2	SHCS, 1/4-20 x 1.25" Lg
★ Included in S54177 Repair Kit. ♣ Included in 6028099 Gast Motor Repair Kit. Gast Motor Marking 112GDcT4. ■ Included in DD8985814E Motor Repair Kit.			

Figure 5 - 69769SS Pump and Motor Sub-Assembly (JAS models only)

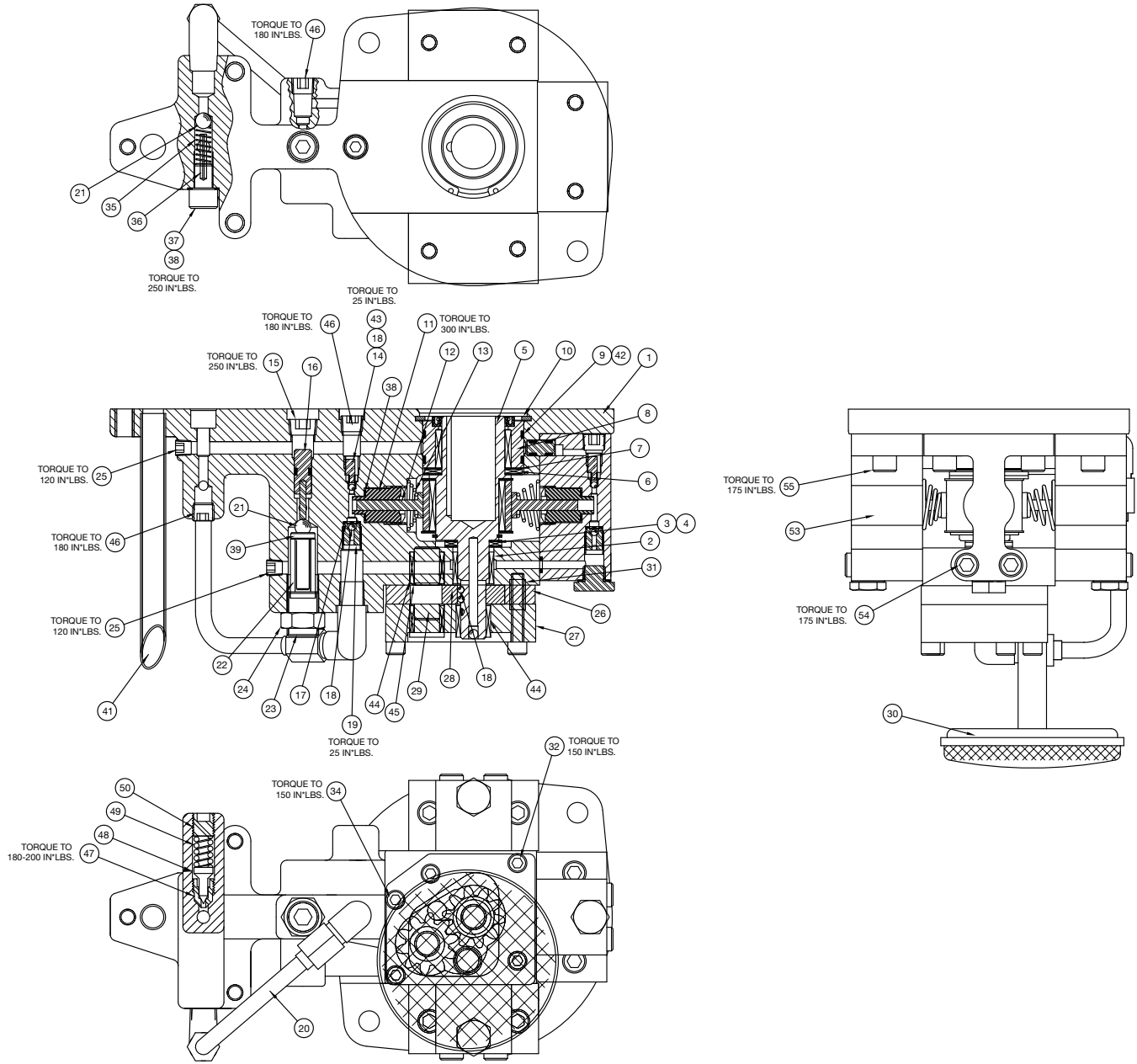


NOTES:

- △ TORQUE TO 225-275 IN-LBS.
- △ TORQUE TO 75-100 IN-LBS.
- △ TORQUE TO 325-375 IN-LBS.
- △ PRESSURE RELIEF SET @ 10,000-10,200 PSI AND UNLOADING PRESSURE @ 800 PSI.

Repair Parts List (Refer to figure 5)			
Item	Part Number	Qty.	Description
1	(See Fig. 6)	1	Pump ASM
2	★	1	Gasket-Motor
3	★	1	Gasket-Pump Motor
4	★	1	Gasket-Pump @ Valve
5	DD6038101S	1	Plate, Reservoir Cover Pow'r Riser
6	♣	1	Air Motor 8AMNRV28A
7	S69026	1	Pin, Dowel 3/16 1" Long
8	S93596	2	SHCS 3/8-16 X 1-1/4
9	(See Fig. 20)	1	Manifold ASM NPR
10	S86184	3	SHCS 3/8-16 X 1.5
11	(See Fig. 19)	1	Locking VLVE W/REL
12	(See Fig. 16)	1	3P4wm VLV. ASM.AIR
13	S42737	4	SHCS 3/8-16 X 9.0
14	(See Fig. 12)	1	Adapter Assy.
15	S69442	1	Nipple 1/4 NPT X 1.5L
16	S80241	1	Pipe Coupling 1/4
17	(See Fig. 11)	1	Filter Block ASM
18	561604	2	Spring Pin
19	S41964	2	Swivel Fitting
20	DD6106037S	1	Gasket, Valve Pow'r Riser
21	93584	2	1/4-20 SHCS 1.25 LG
★ Included in S54177 Repair Kit.			
♣ 6028099 Motor Vane Repair Kit			

Figure 6 - 69445SS Pump Assembly

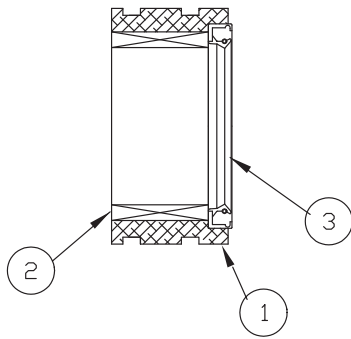


Repair Parts List (Refer to figure 6)

Item	Part Number	Qty.	Description	Item	Part Number	Qty.	Description
1	S44917	1	Pump Body 4 Piston	28	68855S	1	Gear Set
2	S68360	1	Bearing, Roller	29	S68850	1	Shaft-Idler
3	S66033	1	Thrust Bearing	30	S68884	1	Screen
4	S66474	2	Thrust Washer	31	S68922	2	Tube-Guide .22
5	(See Fig. 9)	1	Eccentric Shaft Assembly	32	S68255	4	SHCS 1/4-28 x 1-3/4"
6	S66106	1	Thrust Bearing	34	89148	1	SHCS 1/4-28 x 1-1/2"
7	S66108	2	Thrust Washer	35	S68225	1	Spring
8	(See Fig. 7)	1	Adapter-Shaft Asm.	36	S81332	1	Roll Pin 1/8 x 15/16"
9	★	2	O-Ring 1-7/8 x 2" Ure	37	S68226	1	Screw, Ball Stop
10	S68978	1	Retaining Ring	38	S85726	2	Gasket 25/64 x 19/32"
11	S68915	1	Adaptor .210 Dia.	39	S43673	1	Spring Cap Unload Valve
12	S68830	1	Piston .210 Dia.	41	S68569	1	Tube Return
13	S68340	1	Spring, Piston	42	★	2	Shaft Adp Backup Was.
14	S68810	1	Ball Stop	43	S66042	1	Spring
15	S93950	1	1/4" Soc Pipe Plug	44	S68891	3	Bearing
16	(See Fig. 8)	1	Unloading Piston Assy	45	S68892	1	Ring-Retaining
17	S66043	1	Ball Retainer	46	S81093	3	Pipe Plug 1/8" Flush
18	S90906	5	Ball 1/8"	47	▲	1	Seat - Ext Relief
19	S66046	1	Intake Seat	48	▲	1	Cone - Ext Relief
20	68851SS	1	Tube Asm	49	▲	1	Spring - Relief Valve
21	S91701	2	Ball 5/16"	50	S66083	1	Relief Valve Adj. Screw
22	S43671	1	Unloading Spring	53	68832SS	3	Piston Blk .210
23	S43674	1	Set Screw Unloading Valve	54	69392	6	SHCS 5/16-24 x 1.75"
24	S43675	1	Hex Nut Unloading Valve	55	S82687	6	SHCS 5/16-24 x 5/8"
25	S97641	2	1/16" Soc Pipe Plug				
27	S68849	1	Plate-Bottom				

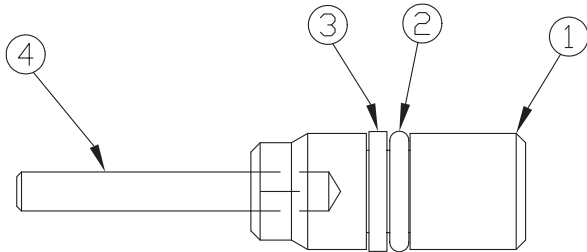
★ Included in S54177 Repair Kit. ▲ Included in 55057 Relief Kit.

Figure 7 - 68829SS Adapt-Shaft Assembly



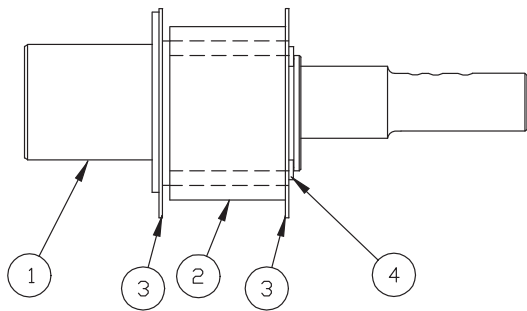
Repair Parts List (Refer to figure 7)			
Item	Part Number	Qty.	Description
1	S68912	1	Adapter Shaft
2	S66030	1	Bearing
3	★	1	Seal
★Included in Repair Kit S54177.			

Figure 8 - 43766SS Unloading Piston Assembly



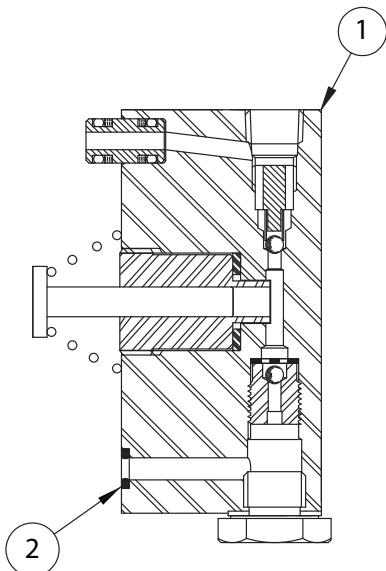
Repair Parts List (Refer to figure 8)			
Item	Part Number	Qty.	Description
1	S43765	1	Unload Piston
2	S5602009	1	O-Ring
3	S43768	1	Back-Up Washer
4	S43686	1	Roll Pin

Figure 9 - 68906SS Eccentric Shaft Assembly



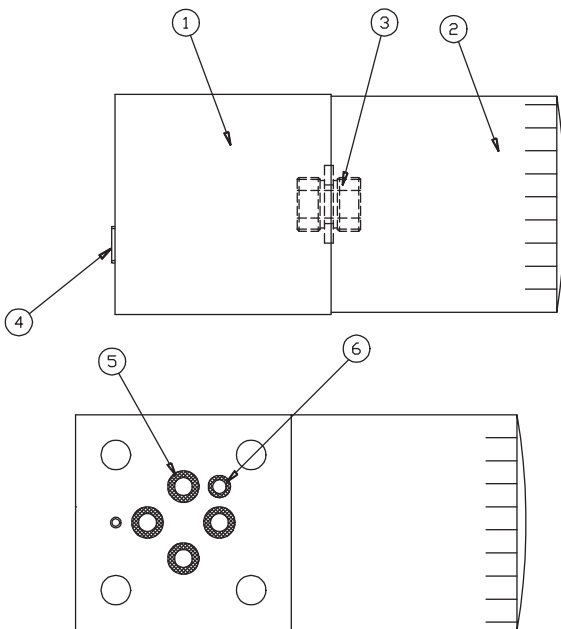
Repair Parts List (Refer to figure 9)			
Item	Part Number	Qty.	Description
1	S68907	1	Eccentric Shaft
2	68818SS	1	Bearing
3	S69475	2	Bearing Washer
4	S67863	1	Retaining Ring
5	S90548	1	Ball

Figure 10 - 68832SS Piston Block Assembly



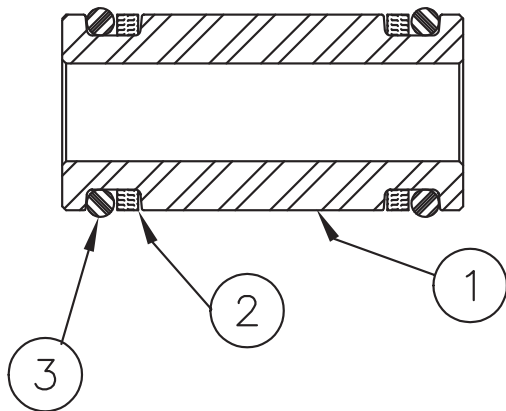
Repair Parts List (Refer to figure 10)			
Item	Part Number	Qty.	Description
1	68832SS	1	Piston Block Assembly (Includes item 2)
2	★	1	O-Ring 3/16 x 5/16"
★ Included in Repair Kit 54177. Note: Piston block components are shown in Fig. 10 for reference only. Order complete 68832SS piston block assembly if replacement is required. Piston block assembly is not repairable.			

Figure 11 - 69740USS Filter Block Assembly



Repair Parts List (Refer to figure 11)			
Item	Part Number	Qty.	Description
1	S69546	1	Filter Block
2	S69670	1	Oil Filter Power Pump
3	S69144	1	Adapter Filter
4	S93950	2	1/4" Soc Pipe Plug
5	S56020112	4	O-Ring 5/16 x 7/16" URE
6	S5602008	1	O-Ring 3/16 x 5/16"

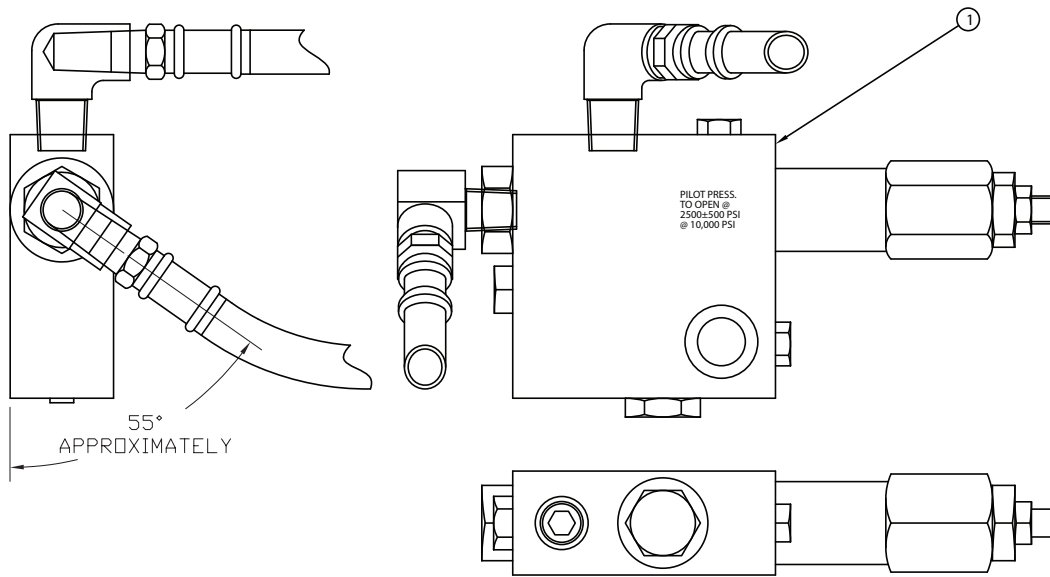
Figure 12 - 68963SS Adapter Assembly



Repair Parts List (Refer to figure 12)			
Item	Part Number	Qty.	Description
1	S88073	1	Valve Adapter
2	★ S65881	2	B-U Ring
3	S5602012	2	O-ring 3/8 x 1/2"

★Included in Repair Kit S54177.

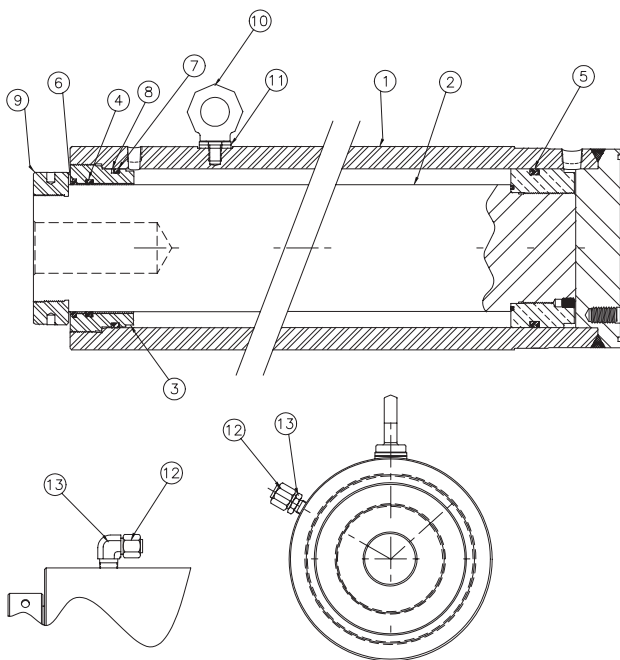
Figure 13 - 42353SS Over-Center Valve Subassembly



Repair Parts List (Refer to figure 13)			
Item	Part Number	Qty.	Description
1	42353SS	1	Valve, Over-Center

Note: Item 1 includes OC valve subassembly, elbows and hydraulic hoses. Items not sold separately. Order complete 42353SS OC valve assembly if replacement is required. Valve is not repairable.

Figure 14 - S42050SS, 41926SS Cylinder Assembly

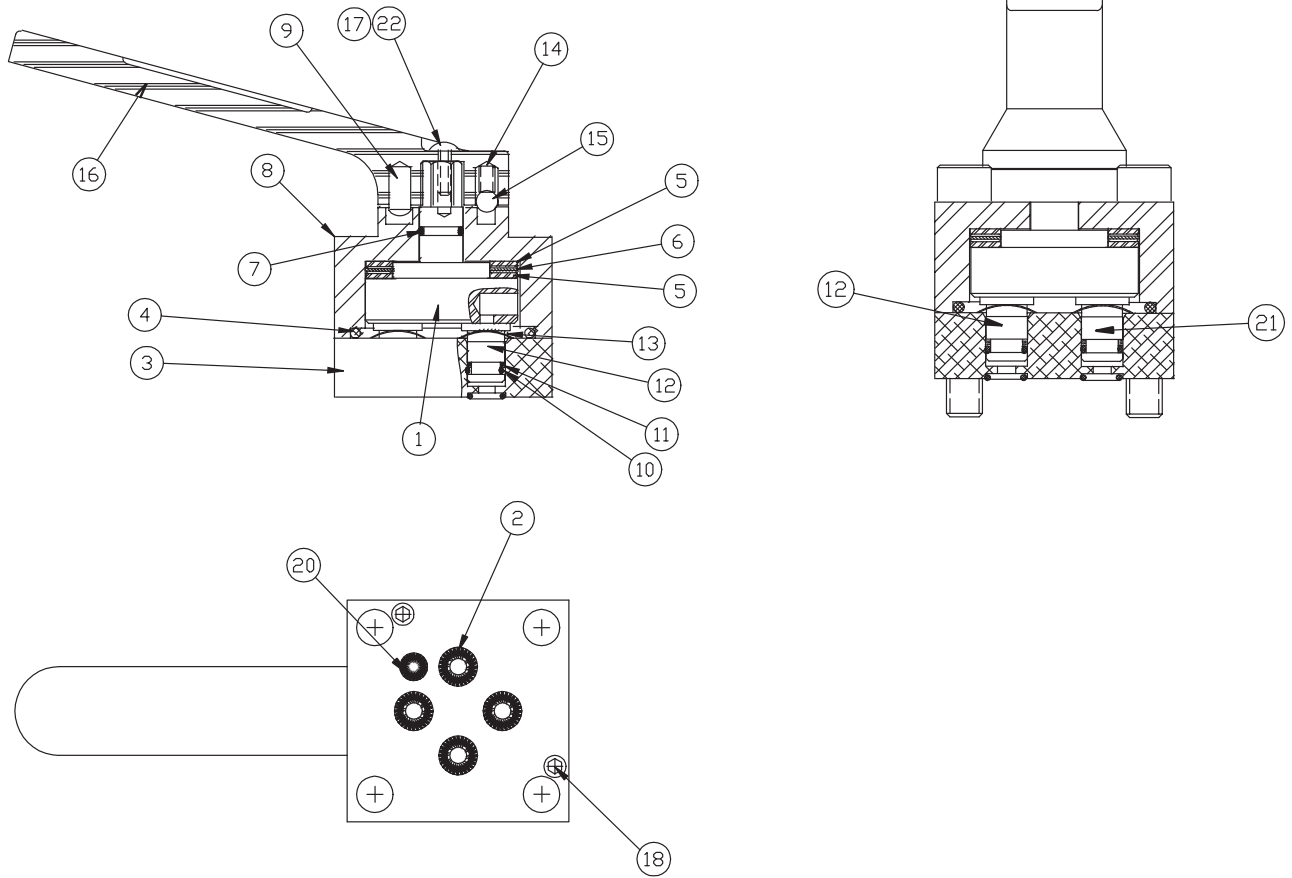


View for S42050SS View for 41926SS

Repair Parts List (Refer to figure 14)				
Model	JA15026 JAS15026	JA15037 JAS15037		
Item	Asm. S42050SS	Asm. 41926SS	Qty.	Description
1	N/A	N/A	1	Cylinder Weldment
2	42051SS	41930SS	1	Piston Rod Asm.
3	41933SS	41933SS	1	Head Gland
4	*	*	1	T-Seal Rod 5" Dia
5	*	*	1	T-Seal Piston 6-1/4"
6	*	*	1	Wiper 5" Rod Dia
7	*	*	1	O-Ring 6" x 6-1/4"
8	*	*	1	B-U Washer
9	S41934	S41934	1	Ring
10	N/A	S43308	1	Swivel Eye Bolt 1/2"
11	N/A	S44888	1	Washer Eyebolt
12	S45664	S45664	1	O-Ring Face Seal Plug
13	S44865	S45666	1	O-Ring Ftg. 3/8" NPT

* Included in 54403SS Repair Kit. N/A = Not Available.

Figure 15 - 69101SS 4-Way Manual Valve Subassembly (JA models only)

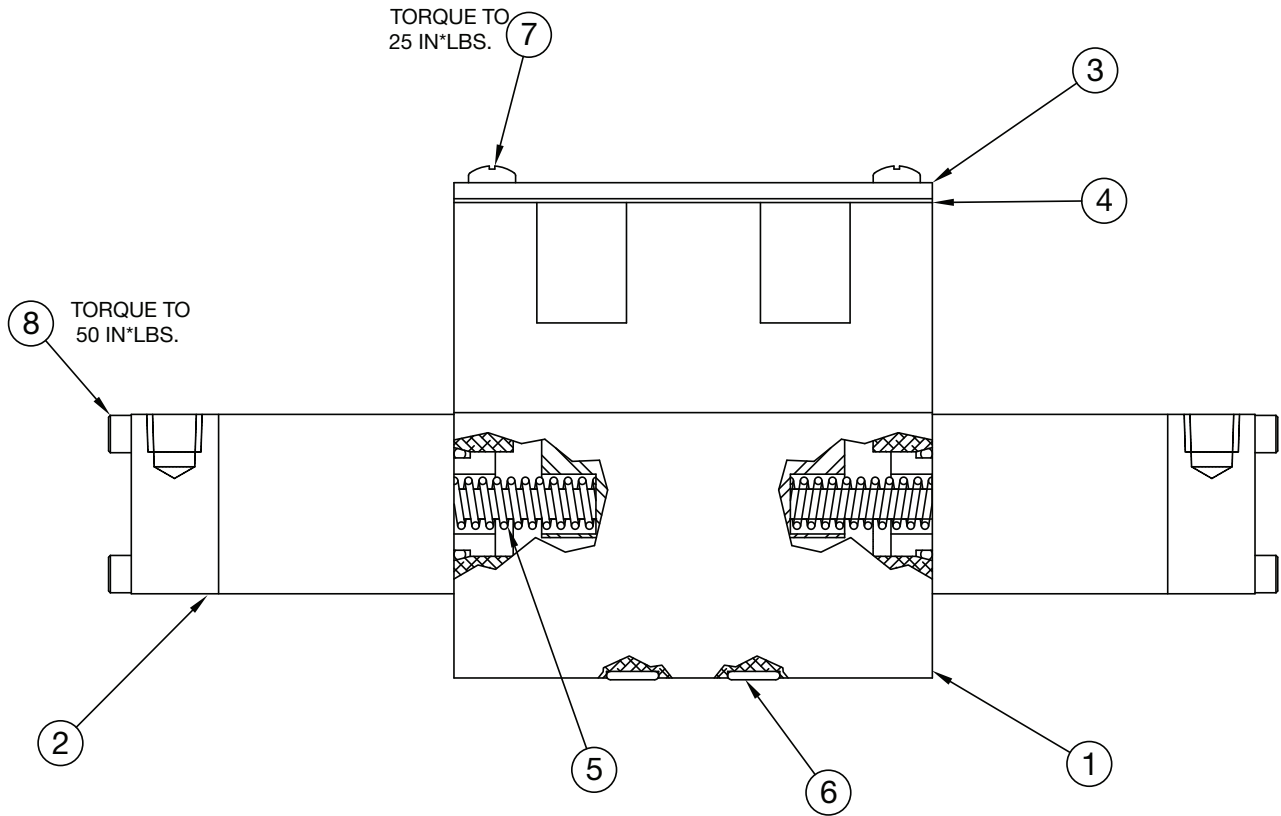


Repair Parts List (Refer to figure 15)

Item	Part Number	Qty.	Description	Item	Part Number	Qty.	Description
1	S43762	1	Valve Rotor	12	S68029	1	Shear Seal
2	*	4	O-Ring	13	S68028	3	Spring Washer
3	S68180	1	Subplate - Valve	14	S68025	1	Detent Spring
4	*	1	O-Ring	15	92549	1	Ball
5	S68026	2	Thrust Washer	16	S69091	1	Valve Handle
6	S68155	1	Thrust Bearing	17	S44595	1	Screw
7	*	1	O-Ring	18	S85317	2	Screw
8	S69135	1	Upper Valve Block	N/S	S93598	4	Screw
9	S93804	1	Drive Lok Pin	20	S5602008	1	O-Ring
10	*	3	O-Ring	21	S68181	2	Shear Seal
11	*	3	Washer	22	SY0010765	1	Lockwasher

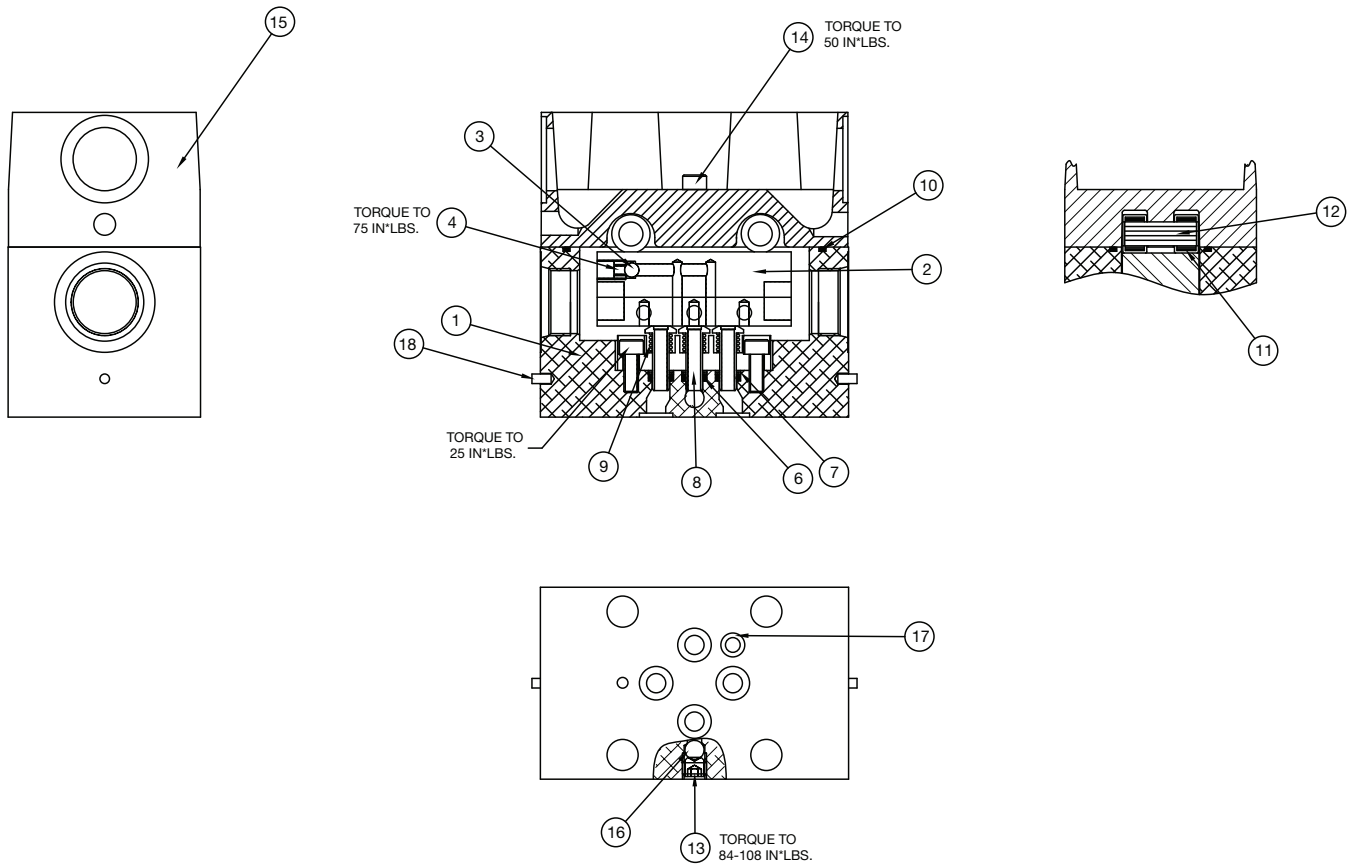
N/S = Not Shown. * Included in Valve Kit 54490.

Figure 16 - 41949SS 3P4WM Air Valve Assembly (JAS models only)



Repair Parts List (Refer to figure 16)			
Item	Part Number	Qty.	Description
1	(See Fig. 17)	1	Valve Assembly TC
2	(See Fig. 18)	2	Air CYL ASM
3	S68388	1	Cover, Valve
4	S68389	1	Gasket CVR
5	S68711	2	Spring
6	★	4	O-Ring 5/16 x 7/16 URE
7	S98250	4	Screw, Fill HD Mach
8	S41959	8	SHCS #10-24 x 3.25"
★Included in Valve Kit 54491.			

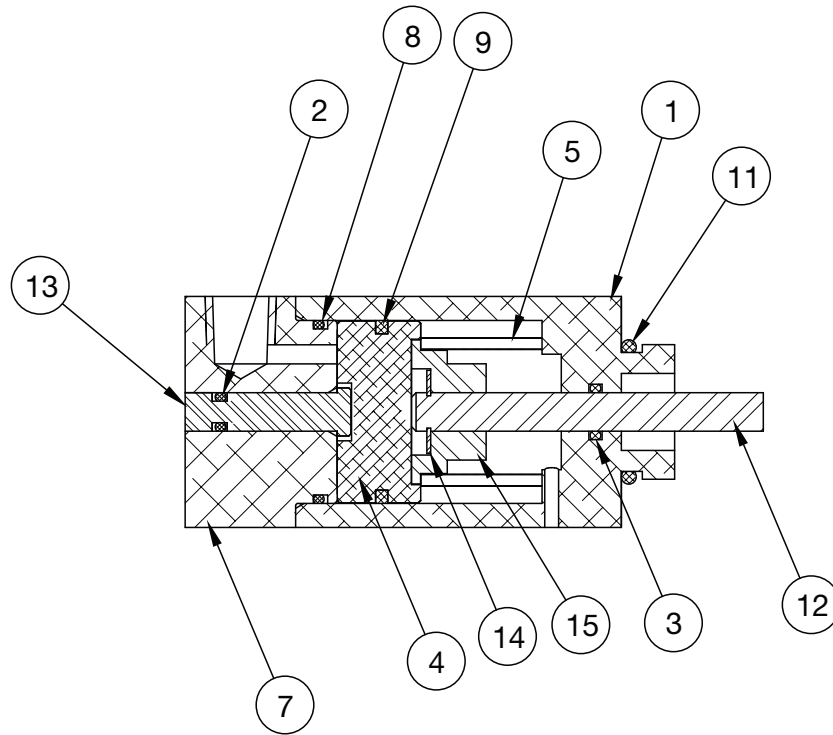
Figure 17 - 68710SS Valve Assembly TC (JAS models only)



Repair Parts List (Refer to figure 17)			
Item	Part Number	Qty.	Description
1	S68708	1	Body-Valve
2	S68709	1	Slider Tandem Center
3	S90548	1	3/16" Dia Ball
4	S40254	1	Set Screw 1/4 - 28 x 1/4 Cup
6	★	3	O-Ring
7	★	3	Back Up Washer
8	S68383	3	Shear Seal
9	S68384	3	Spring
10	S5602038	1	O-Ring
11	S68385	4	Bearing Roller 5/16 x 1/2 x 5/16 Wide
12	S68390	2	Pin Bearing
13	94418	1	Set Screw 5/16 - 18 x 1/4 Cup
14	S68264	2	SHCS #10 - 32 x 1" LG
15	S68381	1	Plate-Top Machining
16	92549	1	1/4" Dia. Ball
17	★	1	O-Ring (0.19 x 0.31 x 0.06) Buna
18	S69636	2	Roll Pin 1/8 x 1/4 LG

★Included in Valve Kit 54491.

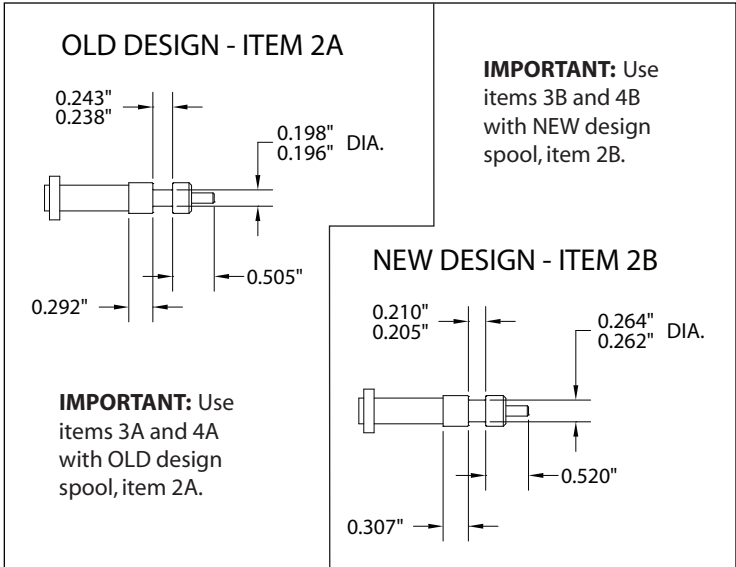
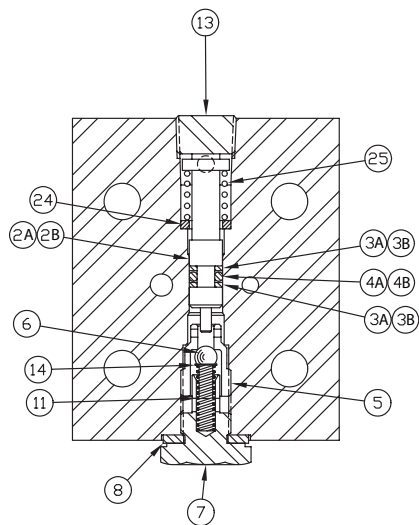
Figure 18 - 41954SS Air Cylinder Assembly (JAS models only)



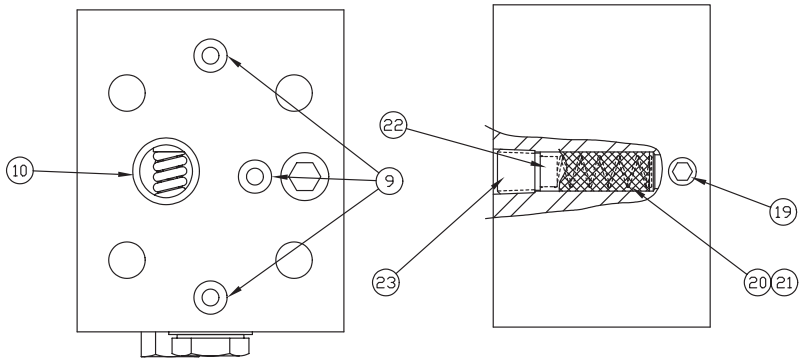
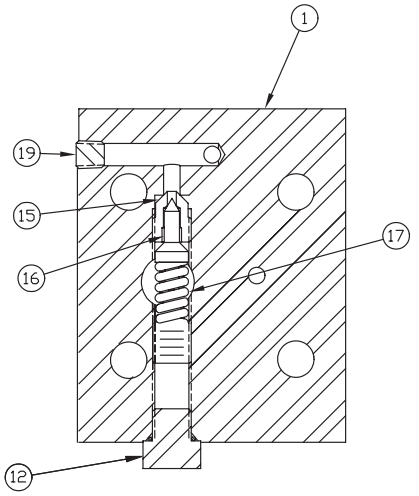
Repair Parts List (Refer to figure 18)			
Item	Part Number	Qty.	Description
1	S42744	1	Air Cylinder Body ZA
2	S5602006	1	O-Ring 0.12 x 0.25 x 0.06
3	S5602010	1	O-Ring
4	S42747	1	Air Cylinder Piston ZA
5	S42749	1	Spring Air CYL
7	S41956	1	End Cap
8	S5602023	1	O-Ring
9	SDD2957141	1	Ring Glide 1 3/16"
11	S5603910	1	O-Ring
12	S42746	1	Push Pin Air Valve
13	S41958	1	Override Pin
14	S42750	1	E-Ring 1/4" Shaft
15	S42748	1	Spring Plate Air VLV

Figure 19 - 42480SS Locking Valve Subassembly (with relief)

SPOOL AND SEAL REPLACEMENT INFORMATION



Note: Old design spool (2A) must be replaced with new design spool (2B) if it is worn or damaged. Old design spool (2A) is no longer available.

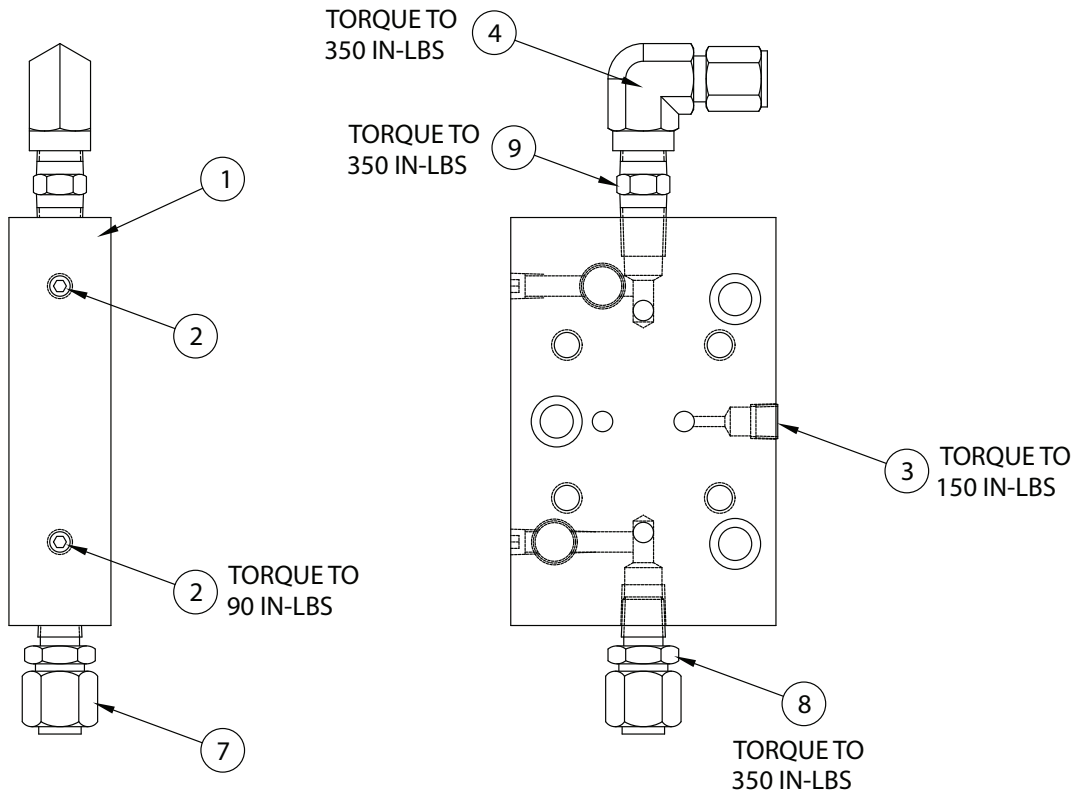


Repair Parts List (Refer to figure 19)

Item	Part Number	Qty.	Description	Item	Part Number	Qty.	Description
1	S42307	1	Locking Valve Body - Relief	12	S68258	1	Plug SAE #4
2A	(not available)	1	Spool Piston (old design)	13	S84084	1	Pipe Plug 3/8" NPT Flush
2B	S42727	1	Spool Piston (new design)	14	S69870	1	Spring Eyelet Lock
3A	S5608106	2	Backup Washer 8-106	15	▲	1	Seat - Ext Relief
3B	❖*	2	Backup Washer TEF -010	16	▲	1	Cone - Ext Relief
4A	S5602106	1	O-Ring 3/16 x 3/8"	17	▲	1	Spring - Relief Valve
4B	❖*	1	O-Ring 1/4 x 3/8"	18	S66083	1	Relief Valve Adjusting Scr.
5	S68590	1	Seat	19	40049	3	1/16" Pipe Plug - Flush
6	S92526	1	Ball 9/32"	20	S69518	1	Screen O.C. Valve
7	S69508	1	Plug - Adapt P.R. Lock	21	S42423	1	Screen O.C. Valve
8	S68183	1	Gasket - Plug	22	S69517	1	Screen Cap
9	*	3	O-Ring 1/4 x 3/8" Ureth	23	46509	1	Pipe Plug 1/4" Flush
10	*	1	O-Ring 5/8 x 3/4" Ureth	24	S42726	1	Washer PR Lock Block
11	S68870	1	Compression Spring	25	S68871	1	Compression Spring

▲ Included in 55057 Relief Kit. ❖ Included with item 2B * Included in 54686 Seal Kit

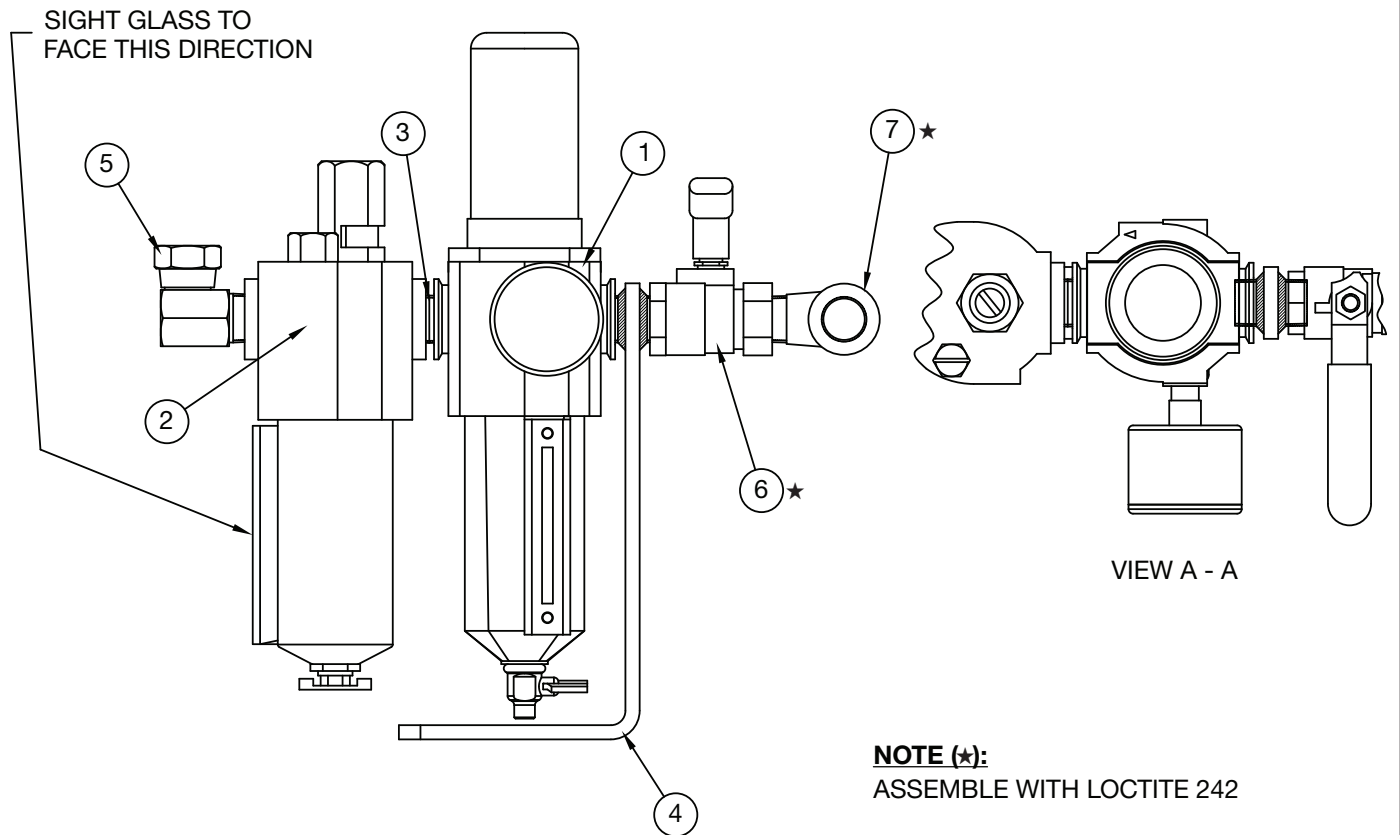
Figure 20 - 69749SS Manifold Assembly



Repair Parts List (Refer to figure 20)

Item	Part Number	Qty.	Description	Item	Part Number	Qty.	Description
1	S69429	1	Manifold Pow'r Riser	7	S45664	1	O-Ring Face Seal Plug
2	40049	2	1/16" Pipe Plug - Flush	8	S45663	1	O-Ring Face Tube Ftg 1/4"
3	S81093	1	Pipe Plug 1/8" Flush	9	S4100067	1	Nipple 1/4"
4	S43166	1	Elbow 90 3/8 - 1/4"				

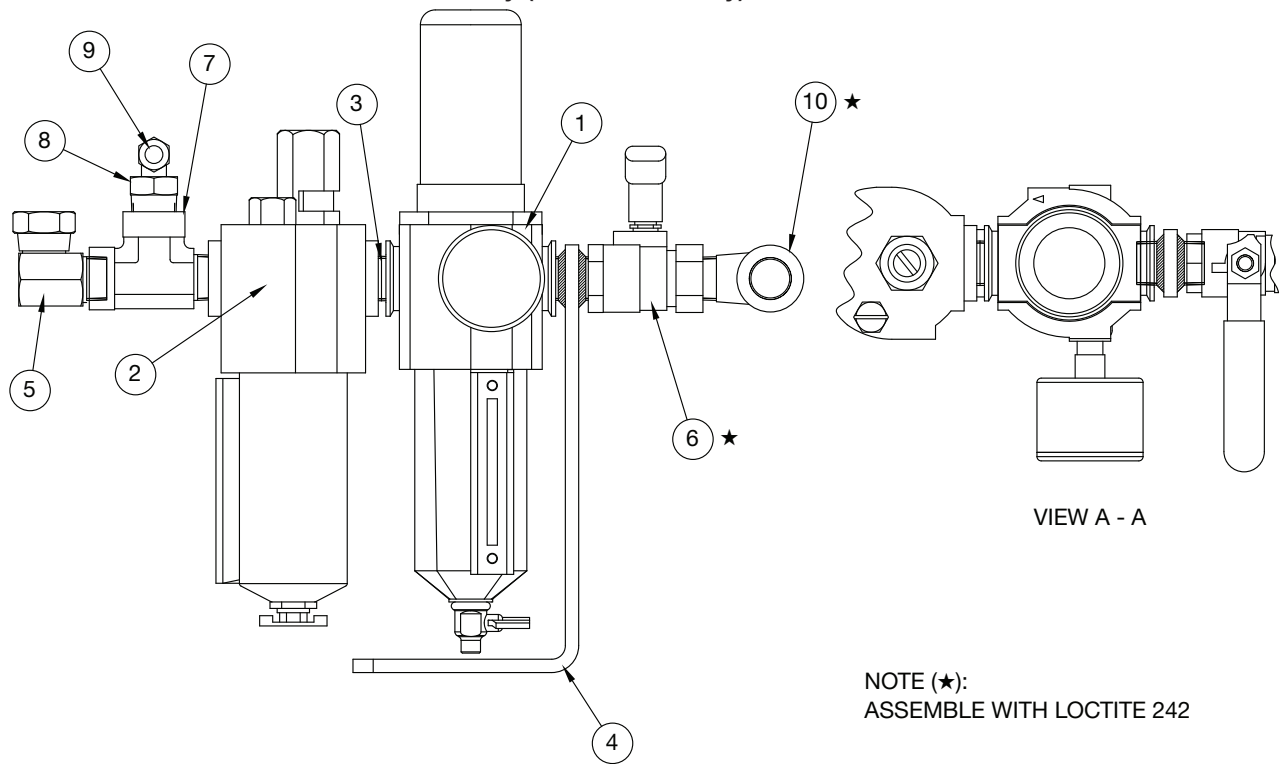
Figure 21 - DS1037900SS Filer/Lubricator



Repair Parts List (Refer to figure 21)

Item	Part Number	Qty.	Description	Item	Part Number	Qty.	Description
1	SDS1018118	1	Air Filter	5	S41763	1	Swivel Male 1/2 NPTF
2	S86242	1	Air Lubricator	6	S85851	1	Air Valve
3	S69998	1	Pipe Nipple	7	S86244	1	Street Elbow
4	S42511	1	Bracket Weldment				

Figure 22 - DS1019900SS Filter Lube Assembly (JAS models only)

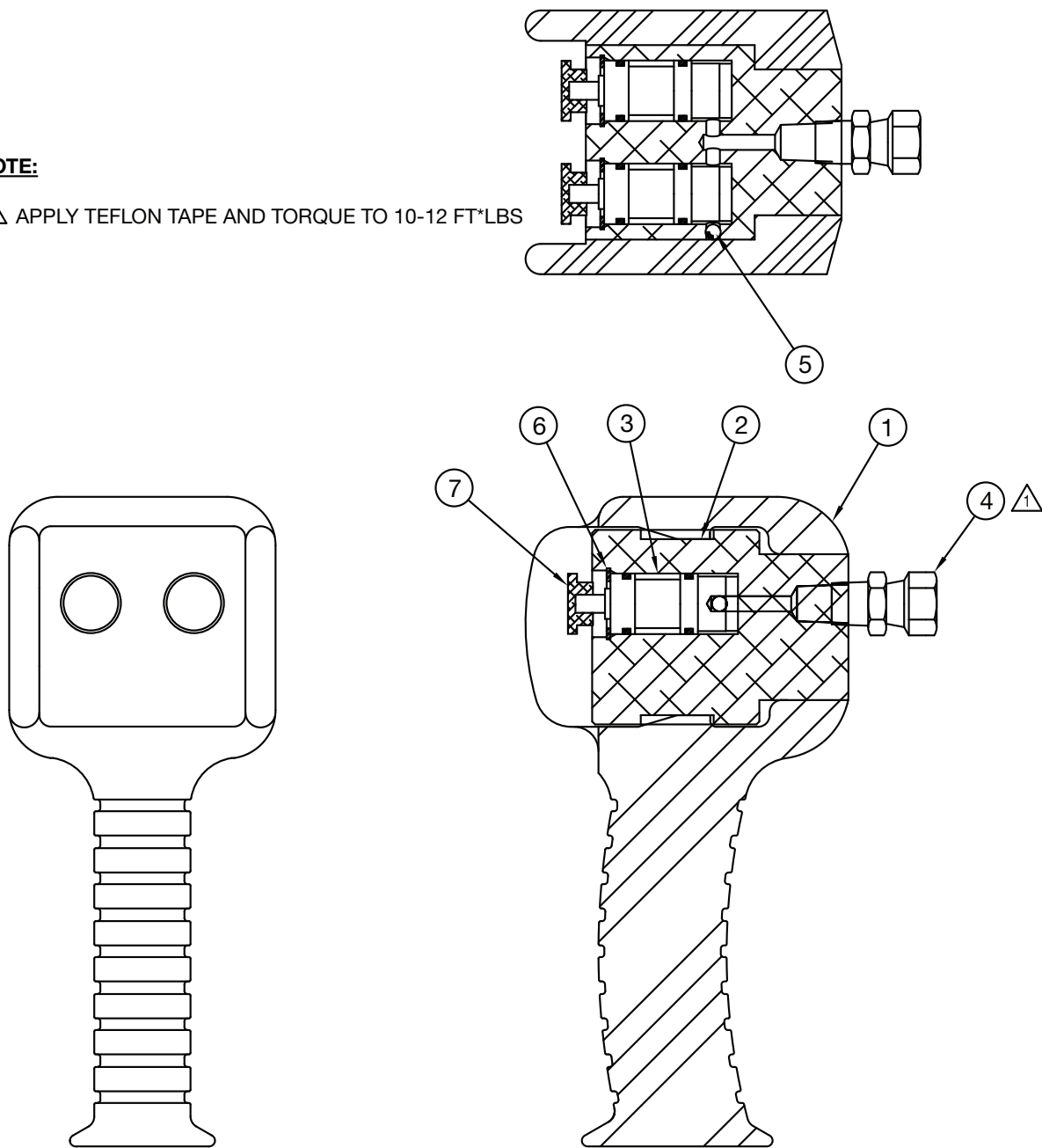


Repair Parts List (Refer to figure 22)			
Item	Part Number	Qty.	Description
1	SDS1018118	1	Filter/Regulator
2	S86242	1	Air Lubricator
3	S69998	1	Pipe Nipple 1/2" BRS
4	S42511	1	BRCKT/Nipple WELDMT
5	S41763	1	Swivel Male 1/2 NPTF
6	S85851	1	Air Valve
7	S42378	1	Male Run Tee 1/2
8	S42377	1	Pipe ADP 1/2 - 1/8
9	S42380	1	Swivel ADP 1/8 90
10	S86244	1	Street Elbow

Figure 23 - DS1019900SS Filter Lube Assembly (JAS models only)

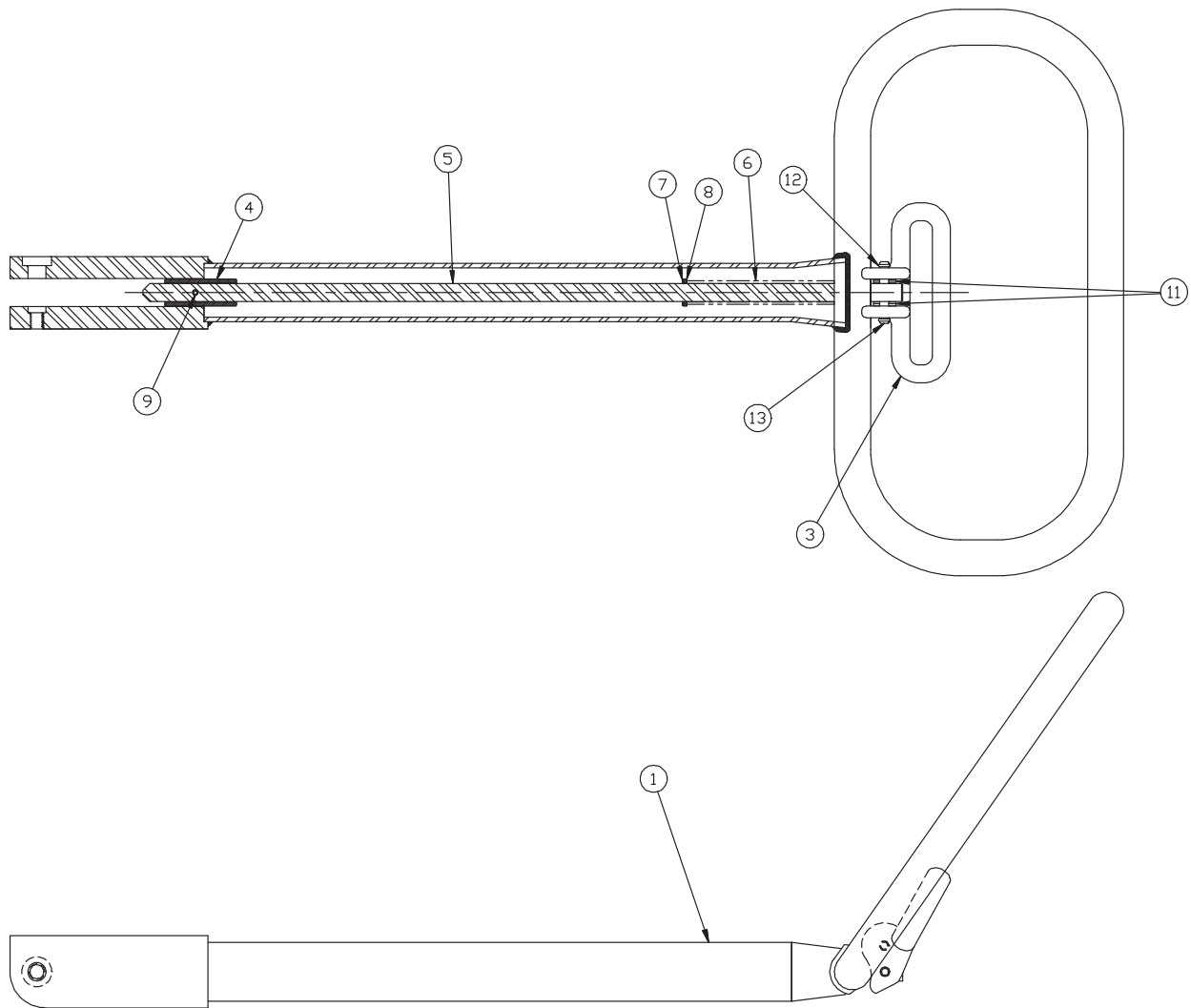
NOTE:

⚠️ APPLY TEFLON TAPE AND TORQUE TO 10-12 FT*LBS



Repair Parts List (Refer to figure 23)			
Item	Part Number	Qty.	Description
1	S41968	1	Pendant Body
2	S41969	1	Block Air Pendant
3	S41963	2	Cartridge - Air
4	S42381	3	Swivel ADP 1/8
5	S606961	3	5/32" Dia. Ball
6	S68808	2	Retaining Ring
7	S41970	2	Cartridge Cap

Figure 24 - 41961SS Upper Handle Assembly



Repair Parts List (Refer to figure 24)

Item	Part Number	Qty.	Description	Item	Part Number	Qty.	Description
1	S41595	1	Upper Weldment	8	S41614	1	Washer 9/16" ID x 3/32"
3	S42368	1	Handle Lock Lever	9	S42497	1	Roll Pin 5/32 x 7/8"
4	S41600	1	Sleeve	11	S88429	4	Washer SS 1/4"
5	S41601	1	Handle Rod	12	S42340	4	Pin Ring
6	S41602	1	Spring . 656 x 9.50"	13	S42338	2	Pin Handle Lever
7	S41613	1	E-Ring .8/.82 x .042				



N86 W12500 Westbrook Crossing
 Menomonee Falls, WI 53051
 Phone - USA Only: 1 (800) 323-9114
 Phone - Inside/Outside USA: 1 (262) 293-1575
 Fax: 1 (262) 597-1127
www.tksimplex.com