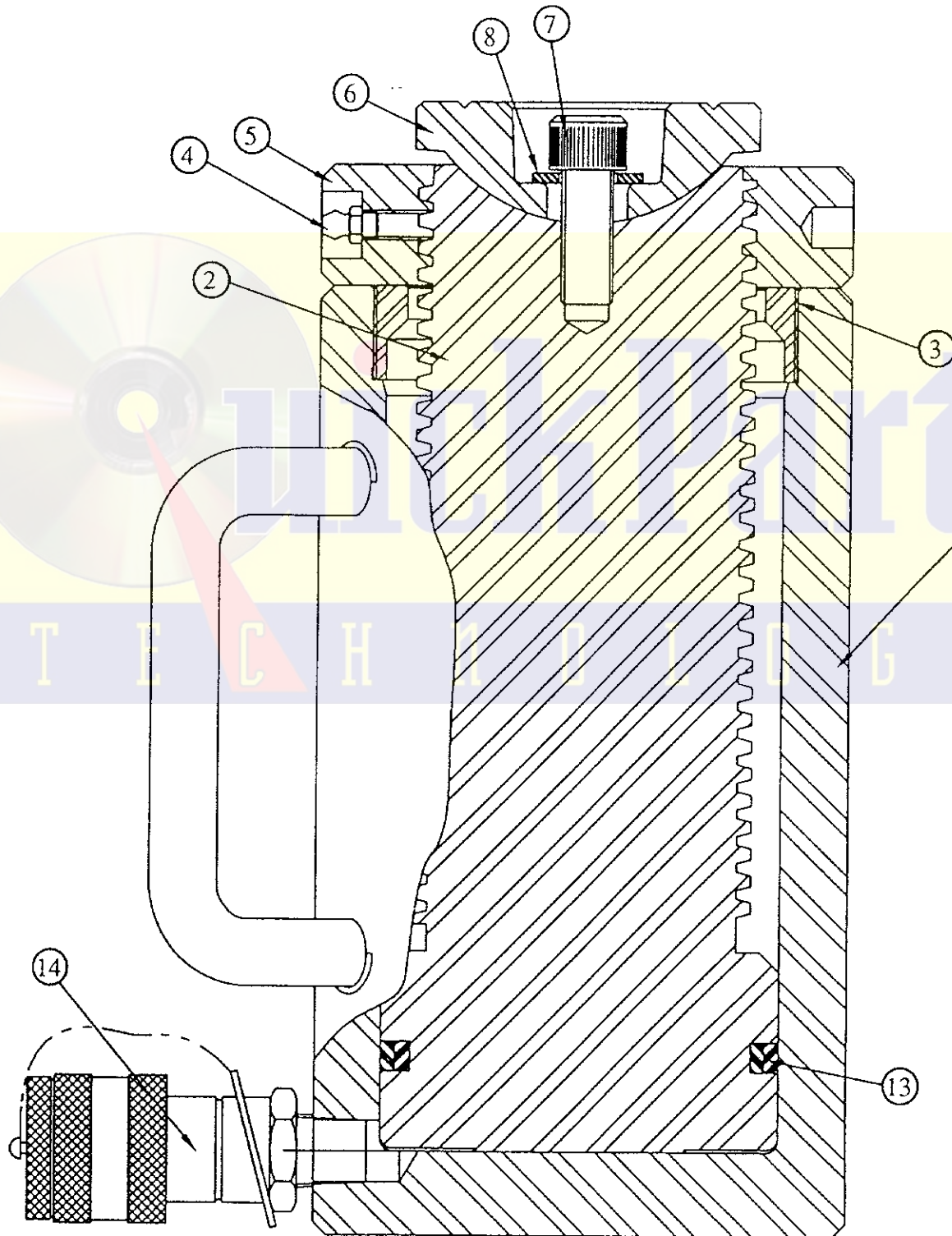


SIMPLEX
A Division Of Terephos, Keny & Co., Inc.

50 TON LOCK-NUT CONSTRUCTION CYLINDERS

RLN-502, RLN-506, RLN-5010
REPAIR PARTS SHEET



50 TON LOCK-NUT CONSTRUCTION CYLINDERS PARTS LIST

ITEM NO.	DESCRIPTION	PART NO.			QUANTITY
		RLN-502	RLN-506	RLN-5010	
1	Housing	89981	89639	89640	1
2	Piston	89978	89976	89977	1
3	Retaining Nut	89974	89974	89974	1
4	Grease Fitting	94746	94746	94746	1
5	Lock Nut	89975	89975	89975	1
6	Swivel Load Cap	92788	92788	92788	1
7	SHCS 3/8-16 x 1.0LG	93601	93601	93601	1
8	Washer	93927	93927	93927	1
*13	Seal	89585	89585	89585	1
14	Ram-Half Coupler	18211	18211	18211	1
	Packing Kit	54160	54160	54160	1

*Included in Packing Kit

T E C H N O L O G Y



Simplex Division of Templeton, Kenly & Co., Inc.

5 Gardner Rd. • Broadview, IL 60153 • Phone: (708)865-1500 Fax: (708)865-0894 Toll Free: 1(800)323-9114