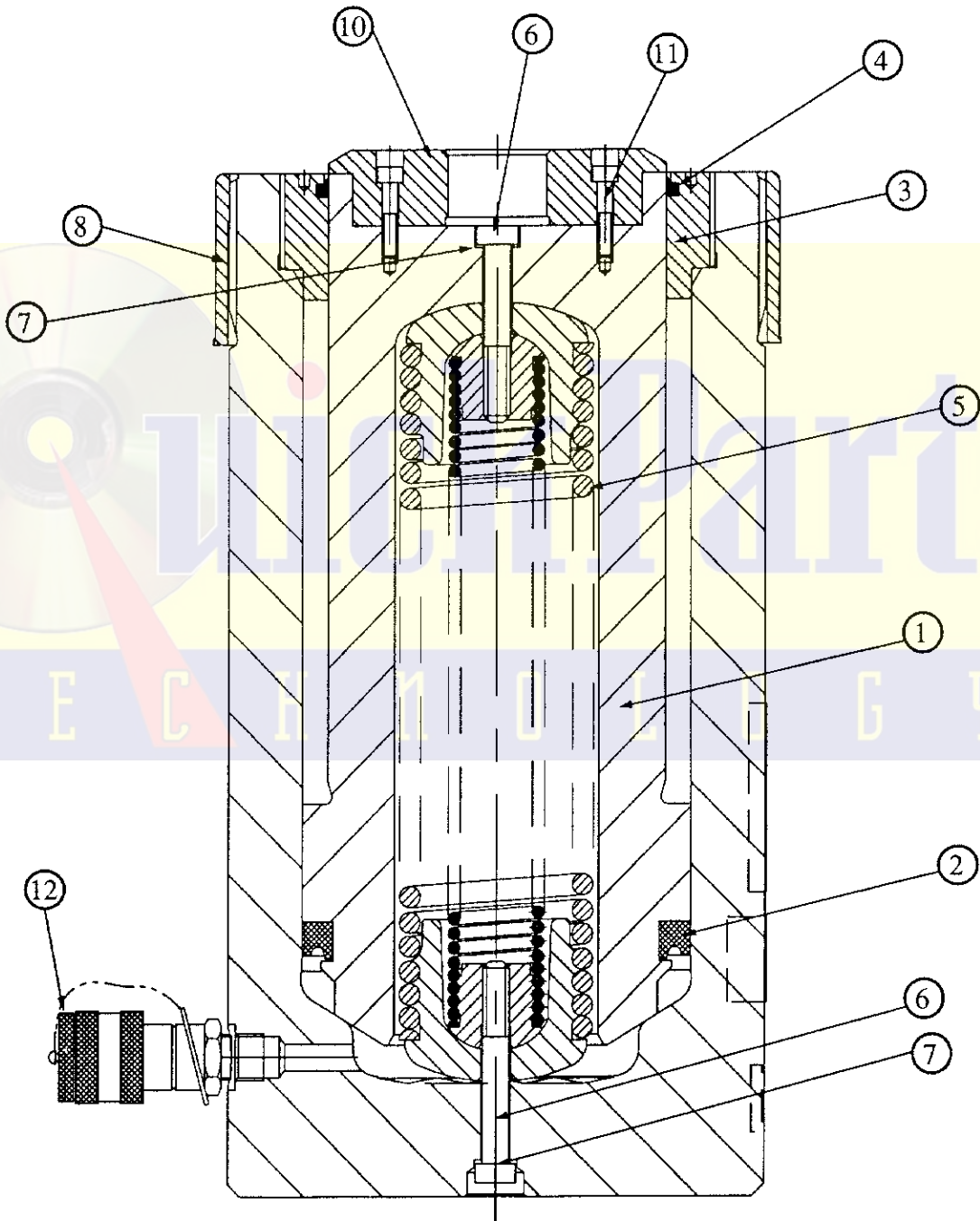


# **SIMPLEX**

A Division of Thermolon, Kirtley & Co., Inc.

## 50 THROUGH 150 TON ALUMINUM CYLINDERS

RAS502, RAS508, RAS1002, RAS1008, RAS1508  
REPAIR PARTS SHEET



# 50 THROUGH 150 TON ALUMINUM CYLINDERS PARTS LIST

ITEM NO.	DESCRIPTION	PART NO.					QTY
		RAS502	RAS508	RAS1002	RAS1008	RAS1508	
1	Piston	55160	55161	55170	55171	55175	1
*2	Seal	*	*	*	*	*	1
3	Retaining Ring	55162	55162	55172	55172	55176	1
*4	Seal	*	*	*	*	*	1
5	Spring Assembly	55163	55164	55163	55164	55177	1
6	Screw	55165	55166	55165	55166	55178	2
*7	Washer	*	*	*	*	*	2
8	Thread Protector	55167	55167	55173	55173	55179	1
10	Load Cap	55168	55168	55174	55174	55180	1
11	Screw	55169	55169	55169	55169	55169	2
12	Coupler	18211	18211	18211	18211	18211	1
	Packing Kit	54525	54525	54528	54528	54530	1

\*Included in Packing Kit

T E C H N O L O G Y



**Simplex Division of Templeton, Kenly & Co., Inc.**

2525 Gardner Rd. • Broadview, IL 60153 • Phone: (708)865-1500 Fax: (708)865-0894 Toll Free: 1(800)323-9114