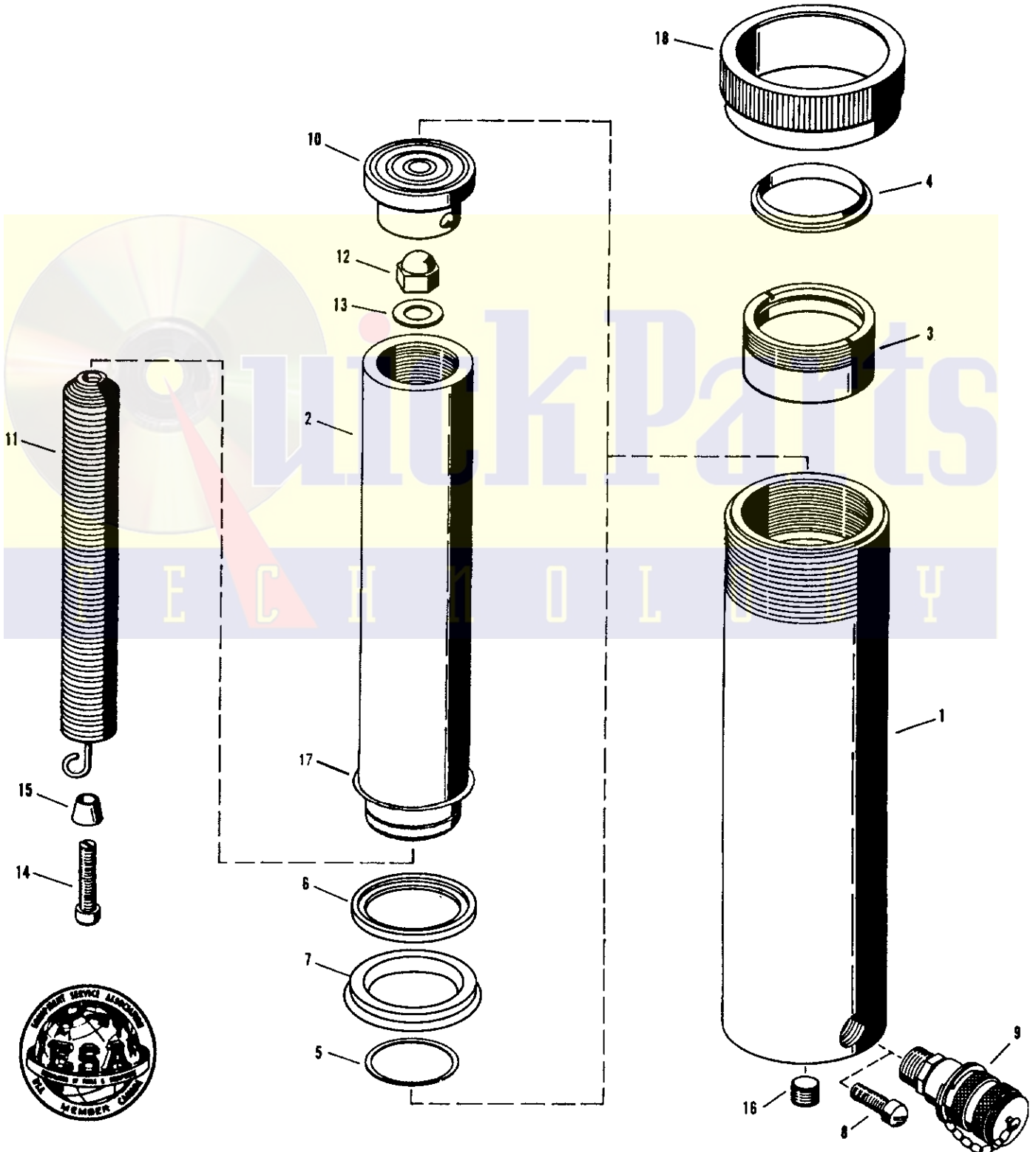


SPRING RETURN CYLINDER

REPAIR PARTS SHEET R SERIES R106,R108,R1010,R1012,R1014





WARRANTY

Templeton, Kenly & Co., Inc. warrants to the purchaser of its products that if the product or any part thereof in the judgement of Templeton, Kenly & Co., Inc. is proven to be defective in material or workmanship within one year from the date of original purchase (two years on Heavy Duty Hydraulics and five years on Super Jacks), such defects will be repaired or replaced (at the company's option) free of charge for parts and labor.

This warranty does not apply to any product which has been damaged by accident or which has been misused, abused, altered, or repaired by anyone other than recognized Templeton, Kenly authorized Service Centers.

This warranty is in lieu of all other warranties expressed or implied, and no other person is authorized to assume for Templeton, Kenly & Co., Inc. any other liability in connection with the sale of this product.

2525 Gardner Road • Broadview, Illinois 60153 • 708-865-1500

PARTS LIST

ITEM NUMBER	DESCRIPTION	QTY.	CONTROL NUMBER				
			R106	R108	R1010	R1012	R1014
1	Housing	1	85928	85929	85930	85931	85932
2	Piston	1	89081	89082	89083	89084	89085
3	Retaining Nut	1	88975	88975	88975	88975	88975
4	Wiper Ring	1	*	*	*	*	*
5	Retaining Ring	1	85716	85716	85716	85716	85716
6	Bearing Ring	1	88974	88974	88974	88974	88974
7	U-Seal	1	*	*	*	*	*
8	Screw	1	85885	85885	85885	85885	85885
9	Ram Half Coupling	1	18211	18211	18211	18211	18211
10	Load Cap Assembly	1	18348	18348	18348	18348	18348
11	Spring	1	86157	86158	86159	86160	86161
12	Cap Nut	1	85712	85712	85712	85712	85712
13	Gasket	1	85724	85724	85724	85724	85724
14	Screw	1	85728	85728	85728	85728	85728
15	Bushing	1	85894	85894	85894	85894	85894
16	Plug	2	93772	93772	93772	93772	93772
17	Piston Retaing Ring	1	88968	88968	88968	88968	88968
18	Thread Protector	1	85943	85943	85943	85943	85943
	Packing Kit		54345	54345	54345	54345	54345

*Items Included
In Packing Kit.

ENGINEERING DATA

- HSR 106T . . . Capacity 10 Tons @ 8,945 PSI On 2.236 Sq. In. Ram Area. Stroke 6 1/8"
- HSR 108T . . . Capacity 10 Tons @ 8,945 PSI On 2.236 Sq. In. Ram Area. Stroke 8"
- HSR 1010T . . . Capacity 10 Tons @ 8,945 PSI On 2.236 Sq. In. Ram Area. Stroke 10 1/8"
- HSR 1012T . . . Capacity 10 Tons @ 8,945 PSI On 2.236 Sq. In. Ram Area. Stroke 12"
- HSR 1014T . . . Capacity 10 Tons @ 8,945 PSI On 2.236 Sq. In. Ram Area. Stroke 14"