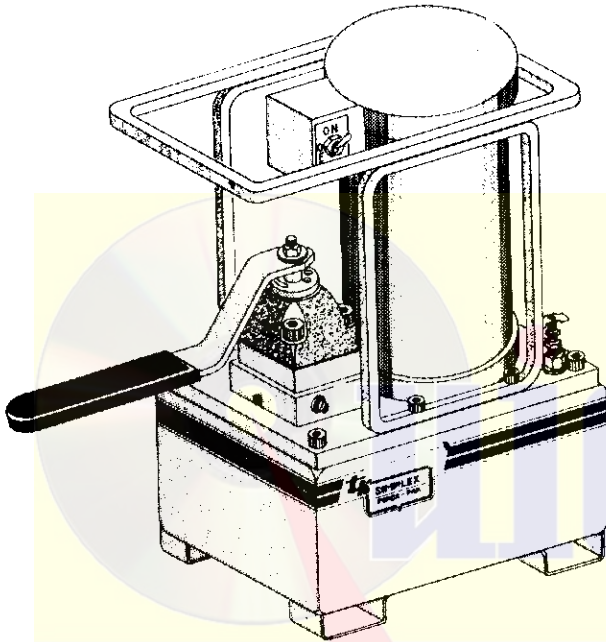




# FPE SERIES ELECTRIC POWER PUMP

## POWER PUMP — FPE 2031 & FPE 2041



Operating & maintenance instructions with parts list for FPE20 series pumps with 3-way or 4-way valve.

Model Number	Input	PUMP FLOW			
		500 P.S.I. (34.5 BAR)		10,000 P.S.I. (690 BAR)	
		c.in./m.	c.c./m.	c.in./m.	c.c./m.
FPE-2041 & FPE-2031	60 Hz	50	820	30	492
		50	820	30	492
FPE-2031 & FPE-2041	50 Hz	40	655	25	410
		40	655	25	410

Model No.	ELECTRIC MOTOR							Weight With Oil	
	50 Hz. Input				60 Hz. Input				
	H.P.	R.P.M.	Volts	Amps.	R.P.M.	Volts	Amps.	Lb.	Kg.
FPE-2031	3/4	2875	110 / 220	12.4 / 6.2	3450	115 / 230	9.8 / 4.9	56	25.4
FPE-2041	3/4	2875	110 / 220	12.4 / 6.2	3450	115 / 230	9.8 / 4.9	56	25.4

Model Number	Item Number	Valve Type	Reservoir Capacity		Useable Res. Cap.		Operating Pressure	
			Gal.	Lt.	Cu. In.	Cu. Cm.	PSI	Bar
FPE-2031	13522	3-Way	1	3.8	188	3082	10,000	690
FPE-2041	13521	4-Way	1	3.8	188	3082	10,000	690

# TEMPLETON, KENLY & CO.

2525 Gardner Road • Broadview, Illinois 60153 • 312—865-1500

#87240

This Simplex Hydraulic Pump incorporates precision design and engineering features which make it the most outstanding pump of its kind on the market.

All moving parts are made from high grade tool steel, heat-treated, machined, ground and lapped to extremely close tolerances to assure efficient operation and long life. Watch-like precision insures peak efficiency for either continuous or intermittent operation.

Your Simplex Pump will give you uninterrupted, trouble-free service if you keep it clean, use only high grade, filtered, hydraulic oil and take care of it as you would any fine machine.

Your pump has been shipped with Simplex Hydraulic Oil in the reservoir. If additional oil is required, fill only with Simplex Hydraulic Oil or equivalent. The oils listed below are suitable high grade substitutes.

Hydraulic Oil	Ambient Temperatures
Simplex #9	+ 5°F And Above
Texaco PC-R Stanoil 31	+ 40°F And Above
Texaco AR & O Stanoil 15	- 10°F And Above
Texaco Texmatic Texaco Aircraft Hydraulic	- 35°F And Above
AA	- 55°F To + 20 F
Gulf HD (Sub-zero)	- 50°F To + 20 F

**To Fill Reservoir:**

**A.** Before removing filler cap, thoroughly clean the cap and surrounding area. (This pump is a precision built unit and any foreign particles in the oil could damage polished surfaces resulting in a loss of performance).

**B.** Remove filler cap and insert a clean funnel. Fill with prescribed oil to within 1 in. from top of filler hole.

**NOTE:** Never fill reservoir until all cylinders have been retracted.

**NOTE 2:** Never use synthetic fluids, brake fluids, etc.

**Draining Oil Reservoir** ...Oil is drained by removing the reservoir from the pump. Pour out old oil, clean the inside of reservoir and reassemble. See previous paragraph for filling instructions.

**Flushing System**.....As long as the pump is used as outlined in the operating instructions, long, trouble-free performance can be expected. To maintain this performance, it is absolutely essential that dirt or other foreign matter be kept out of the system as this is the most common cause of hydraulic system failure. Therefore, when opening up the pump for any reason, be sure to exercise extreme care in the cleanliness and to use clean tools and cloths. If, at any time, dirt is suspected to have found its way into the system, the entire oil system should be flushed as follows:

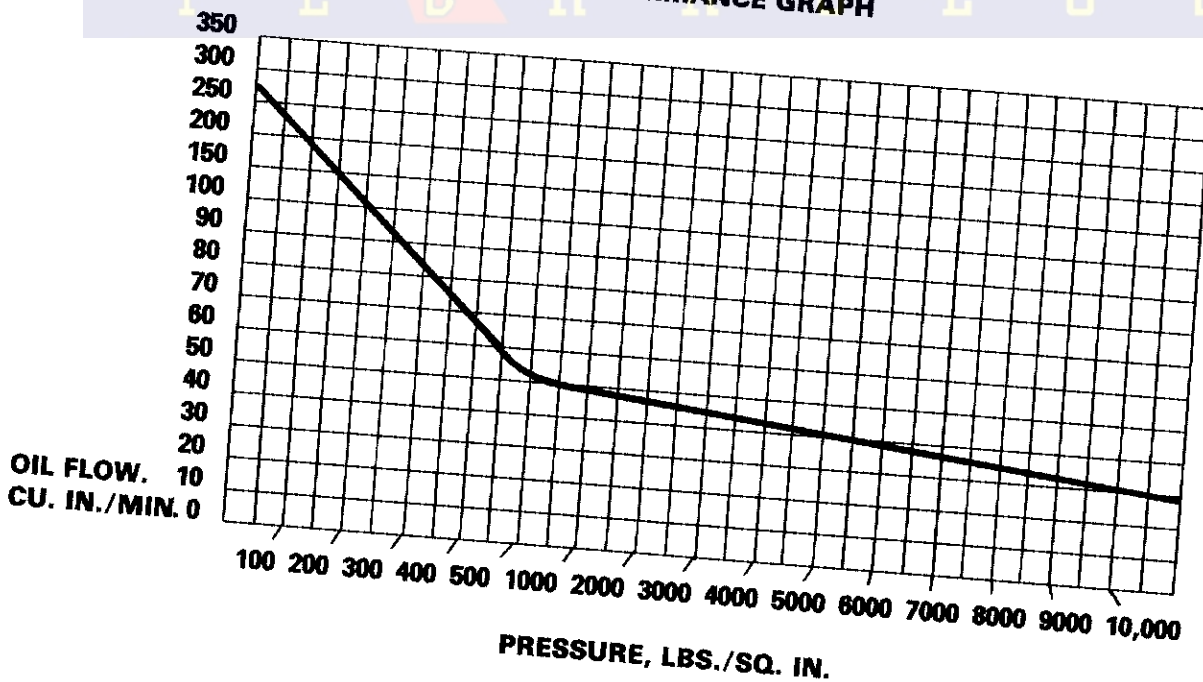
1. Drain oil from reservoir.
  2. Fill reservoir with the recommended flushing oil or clean kerosene and operate pump. Work the control handle back and forth several times during flushing to wash all foreign particles from the control valve unit.
- NOTE:** Do not operate pump for a very long time as system is not designed to operate with flushing oil or kerosene.
3. Drain flushing oil or kerosene from reservoir and refill with new oil.

**— MOTOR MAINTENANCE —**

The 3/4 H.P. Electric Pump Motor, when in need of repairs, should be sent to a qualified Simplex Service Station, or qualified electrical repair shop.

All Force-Pak power pumps feature a two-stage pumping unit. The first stage provides a high volume output at pressures up to 500 PSI for fast, quiet cylinder piston approach and return. The second stage operates from 500 to 10,000 PSI at reduced output levels to achieve full systems load capacity. (See Performance Graph)

**PERFORMANCE GRAPH**



## OPERATION OF PUMP

### When operating pump for the first time . . .

1. Pump reservoir has been filled with oil at the factory, prior to shipment. Check that the oil level is 1" from the top of reservoir.

2. Back the vent plug out 3 to 4 turns to properly vent reservoir. (See figure 1).

**CAUTION:** Check to see that vent unit is not clogged before attempting to operate pump.

3. Connect all applicable hose(s) to the 3/8-18 N.P.T.F. pressure port(s) located on the control valve sub-plate (See figures 3 & 4).

4. Place control valve handle or lever in "neutral" position.

5. Plug in electrical cord.

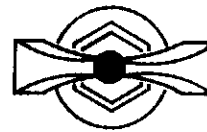
**CAUTION:** Check voltage rating on power pump motor name plate, to make sure that outlet you are using is of proper voltage.

6. "Jog" pump motor several times, by means of motor control toggle switch: (See figure 2). Then, set switch to "On" position and let pump idle for a few minutes.

7. Advance and retract ram fully several times to eliminate air in the system.

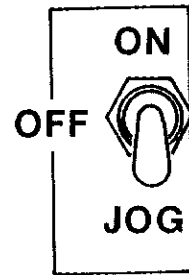
The pump is now ready for operation.

**NOTE:** When transporting pump, be sure to tighten filler plug to prevent leakage.

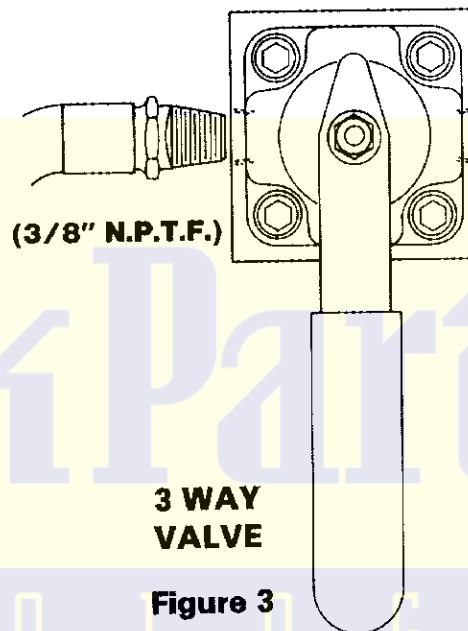


**OPEN WHEN PUMPING**

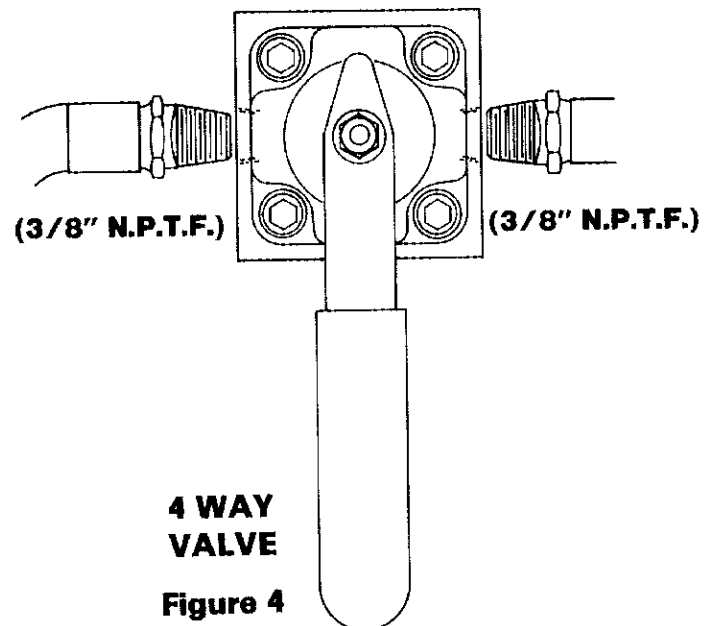
**Figure 1**



**Figure 2**



**Figure 3**



**Figure 4**

**— CORRECTING MINOR HYDRAULIC TROUBLES —**

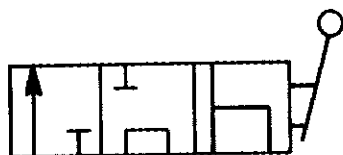
The hydraulic unit should be observed constantly for out of the ordinary performances and unusual noises. If any of these are present, shut off pump and take corrective steps immediately to avoid possible expensive repairs later on. Some of the most common minor troubles and their remedies are listed:

<b>TROUBLE CHART</b>		
<b>TROUBLE</b>	<b>CAUSE</b>	<b>REMEDY</b>
Pump motor will not start	1. Power cord not sufficiently connected.	1. Check for tight connections.
	2. Power cord cut.	2. Replace.
	3. Defective motor, or switch	3. Replace or repair.
	4. Fuse in wall box blown.	4. Replace fuse.
Will not pump oil	1. Not primed.	1. Run pump for a few minutes tipping unit from side to side
	2. Sticking plunger.	2. Replace.
	3. Plugged up screens.	3. Clean or replace.
	4. Defective control valve.	4. Repair or replace.
Excessive noise in hydraulic system	1. Low in oil.	1. Add oil.
	2. Air in system.	2. Run pump to work out air.
	3. Loose drive shaft adaptor.	3. Replace.
	4. Defective motor.	4. Replace.
Necessary to add oil often	1. Oil leaks.	1. Check for broken line, loose fittings or connections.

If the preceding measures fail to make the pump function properly, it is recommended that you send the pump to a qualified Service Station. Under no conditions allow unqualified personnel to attempt to repair the pump, particularly the pump block unit or control valve unit, as serious damage may result.

All Pumps are available with 3 or 4-way manual valves (schematic shown in Fig. B) for use with single or double-acting hydraulic cylinders. All Force-Pak pumps are equipped with 3/8" NPTF ports. To prevent the possibility of overload-induced failure and resulting damage to hydraulic components, all models have an internal pressure relief valve set at 10,000 P.S.I. An externally-mounted adjustable pressure relief valve is available upon request.

**Figure B**



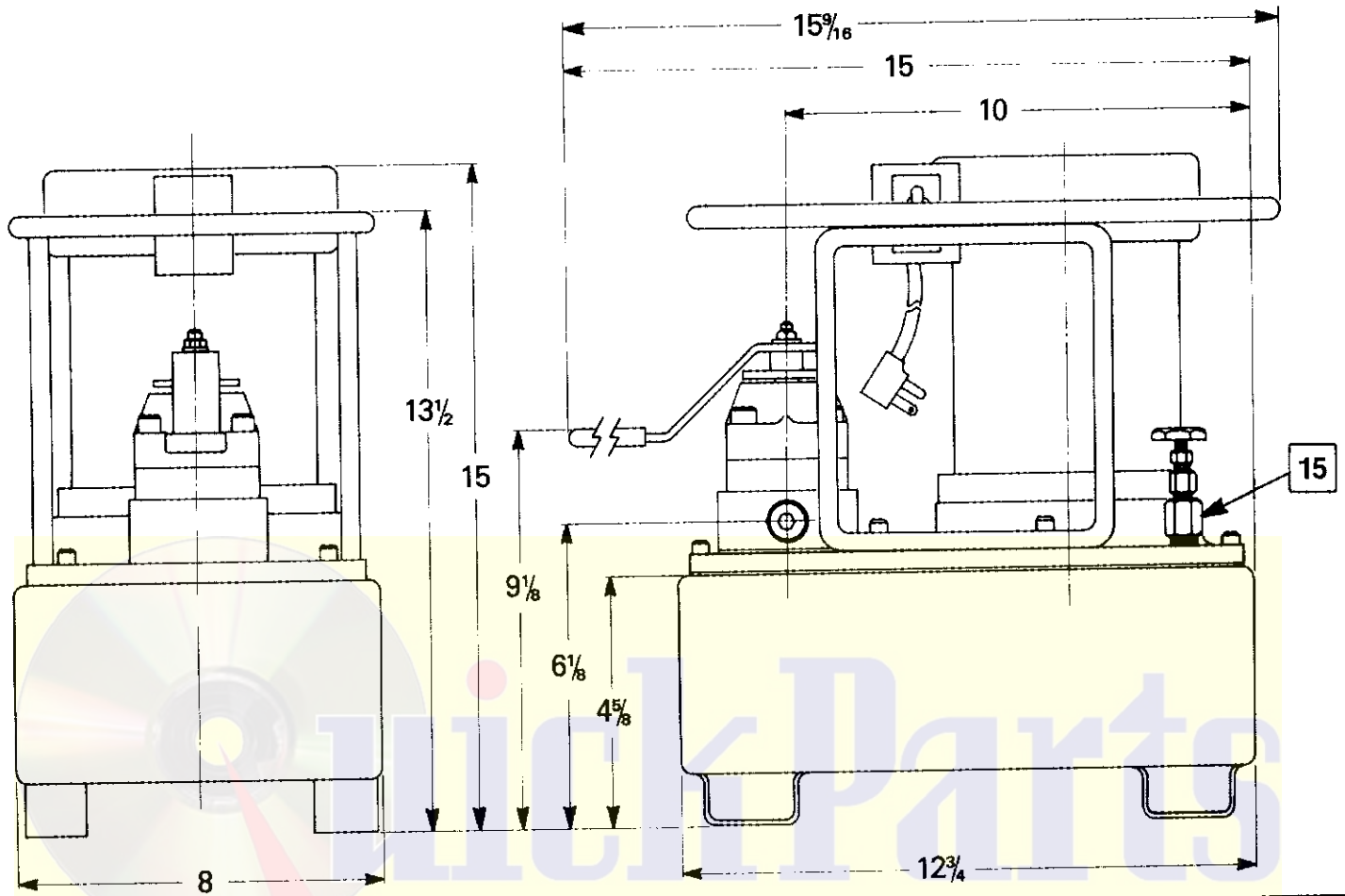
**3 WAY VALVE  
TANDEM CENTER**



**4 WAY VALVE  
TANDEM CENTER**

**ORDER NO.: 13521**

**MODEL NO.: FPE-2041**

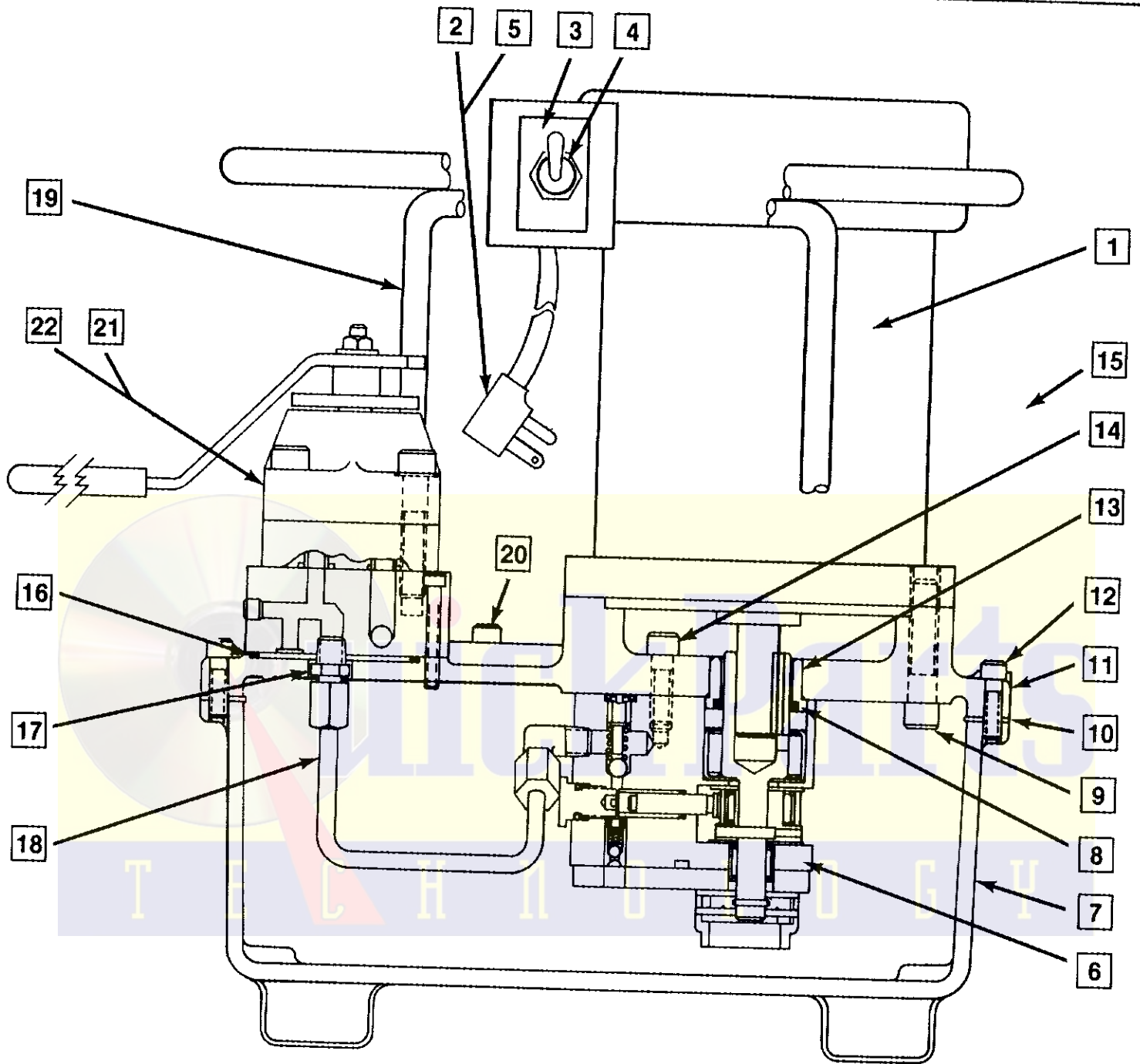


**FPE-20 Pump Ass'y.  
With Fab. Res.**

Order No. 13521 Model No. FPE-2041  
Electric Pump With 4-Way Valve  
Power Source: Induction Motor, Open Drip Proof.  
Horsepower = 3/4 hp.  
Volts = 115 / 230, Wired for 115 Volts With A  
9 Foot 115 Volt Cord And A Molded  
Plug. Also Supplied With A 6 Foot  
230 Volt Cord And Molded Plug  
Ph. = Single  
Hz. = 50 / 60  
R.P.M. = 2875 / 3450

Volts	Amps.	Volts	Amps.
	50 Hz		60 Hz
110 V.	12.4	115 V.	9.8
220 V.	6.2	230 V.	4.9

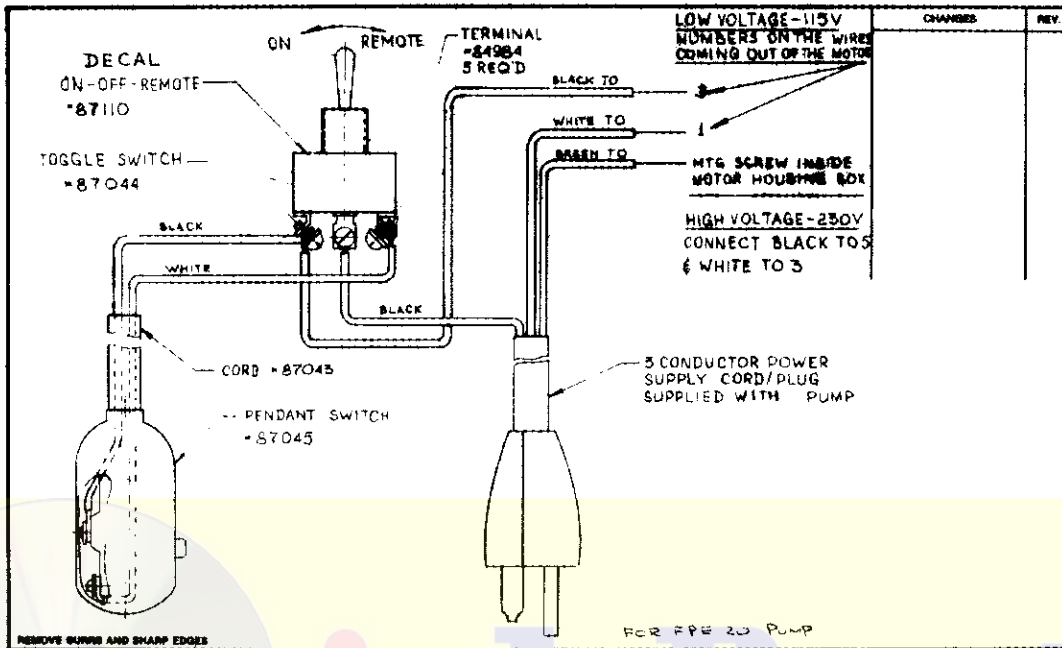
Reservoir Capacity = 1 Gallon  
Useable Oil = 188 cu. in.  
Weight With Oil = 56 Lbs.



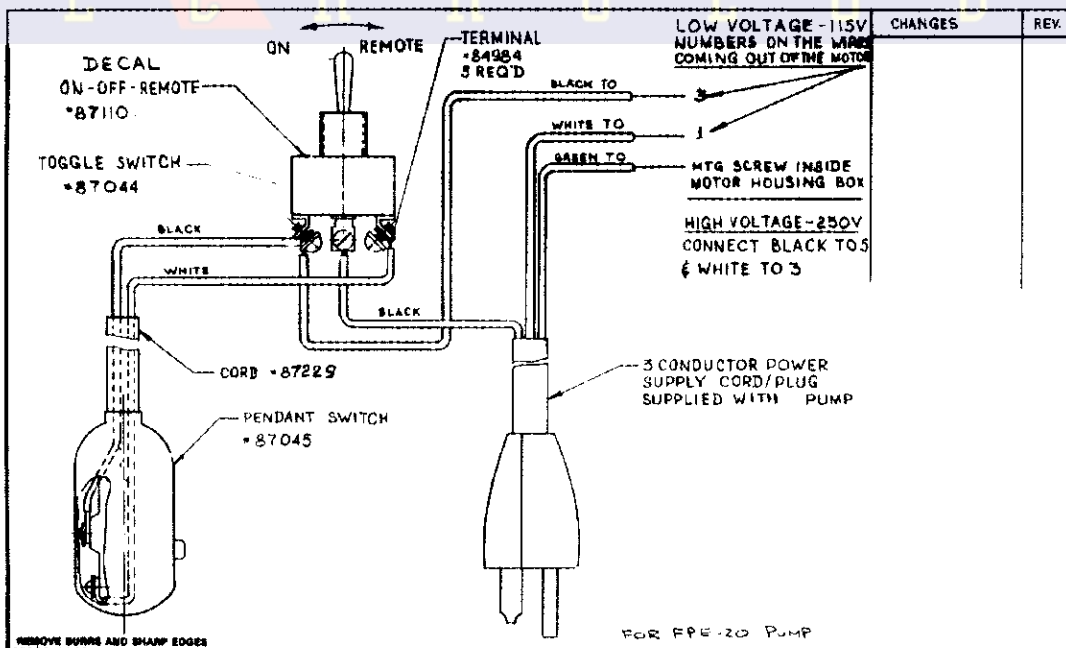
### Cutaway – Motor & Reservoir

- |  |  |
|--|--|
| 1. 86999 . . . . . 3/4 Hp. 50/60 Hz. Induction Motor . . . . . (1)   | 12. 6001402 . . . Screw . . . . . (10)                         |
| 2. 87023 . . . . . 3 Conductor Power Supply Cord/Plug 115V . . . (1) | 13. 6001406 . . . Pilot Adaptor Plate . . . . . (1)            |
| 3. 87025 . . . . . On/Off Jog Decal . . . . . (1)                    | 14. 6001407 . . . Screw . . . . . (2)                          |
| 4. 87024 . . . . . Toggle Switch . . . . . (1)                       | 15. 6001337 . . . Vent Plug Assembly (See Page 7) . . . (1)    |
| 5. 87048 . . . . . 3 Conductor Power Supply Cord/Plug 250V . . . (1) | 16. 6001399 . . . "O" Ring . . . . . (1)                       |
| 6. 6001405 . . . Pump Block Assembly . . . . . (1)                   | 17. 6001409 . . . Body Connector . . . . . (1)                 |
| 7. 6001410 . . . Reservoir . . . . . (1)                             | 18. 6001408 . . . Tube Outlet Assembly . . . . . (1)           |
| 8. 6001404 . . . Shaft Seal . . . . . (1)                            | 19. 87303 . . . . . Handle Lift . . . . . (1)                  |
| 9. 82893 . . . . . Motor Mount Screws 3/8-16 x 2" . . . . . (4)      | 20. 93584 . . . . . Screw For Handle 1/4-20 x 1-1/4" . . . (4) |
| 10. 6001401 . . . Gasket . . . . . (1)                               | 21. 87046 . . . . . Valve 4 way-Manual (Kit) . . . . . (1)     |
| 11. 6001403 . . . Plate Adaptor . . . . . (1)                        | 22. 87047 . . . . . Valve 3 way-Manual (Kit) . . . . . (1)     |

# Pendant & Toggle Switch/7 Ft. Cord Kit 115/230V 18156

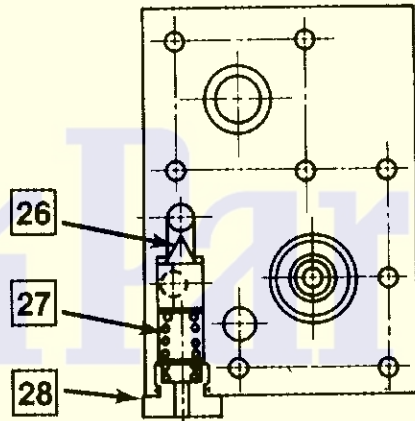
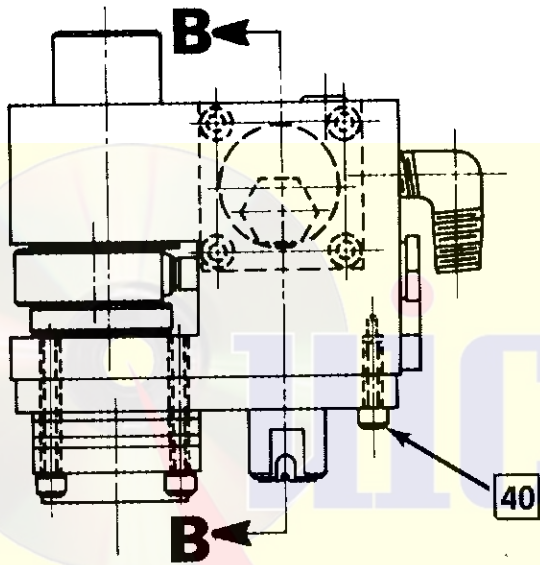
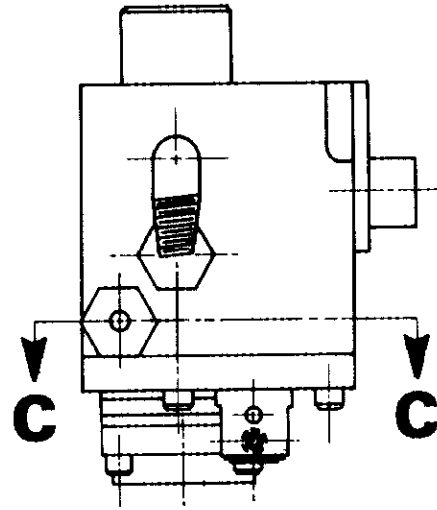
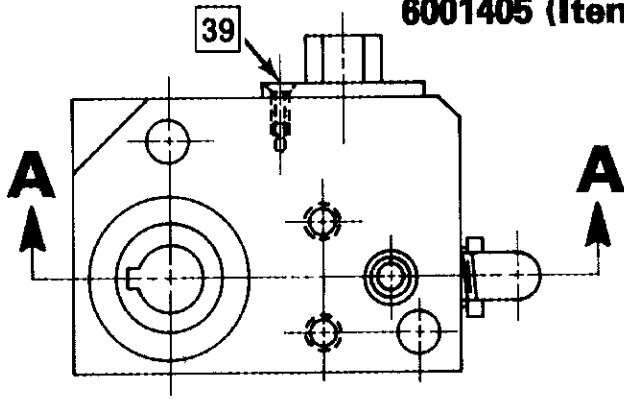


# Pendant & Toggle Switch/10 Ft. Cord Kit 115/230V 18158

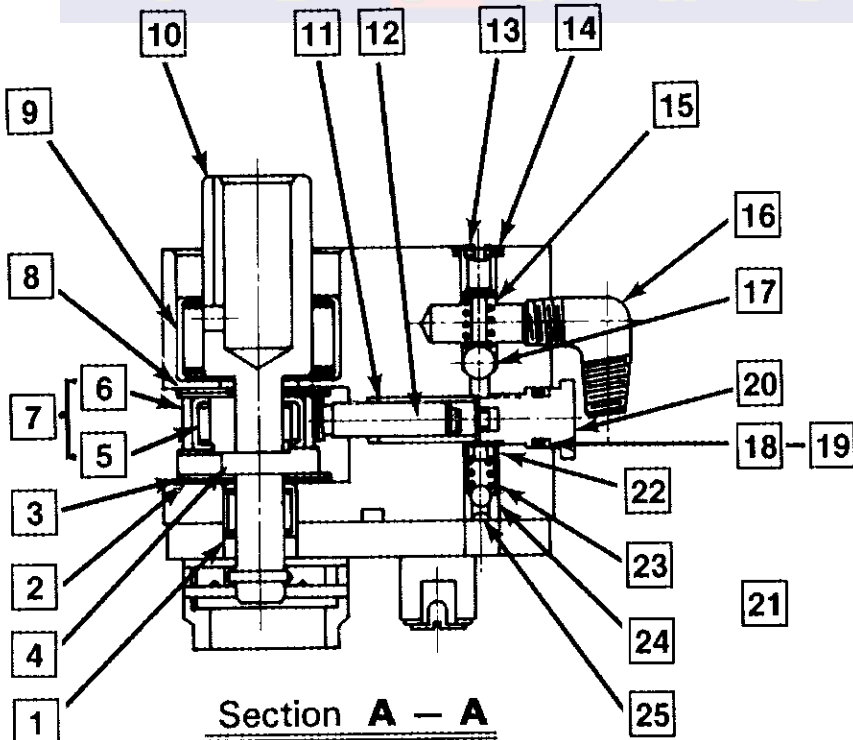




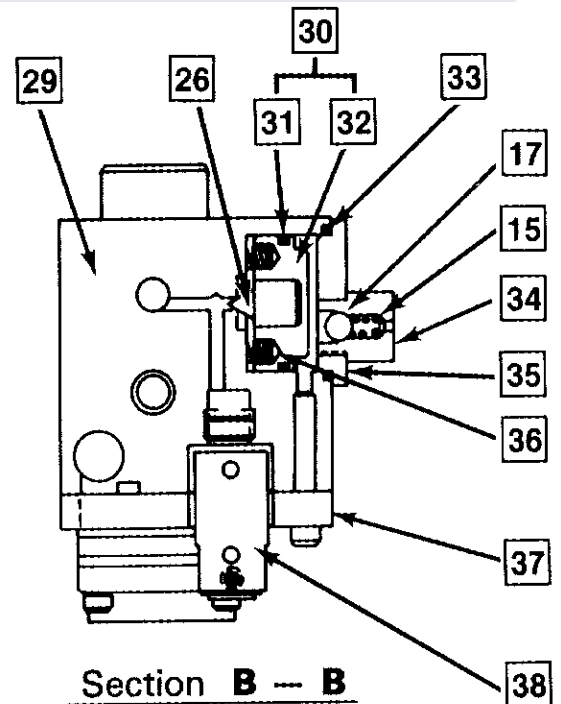
# Pump Block Assembly 6001405 (Items 1 through 40)



Section C - C



Section A - A

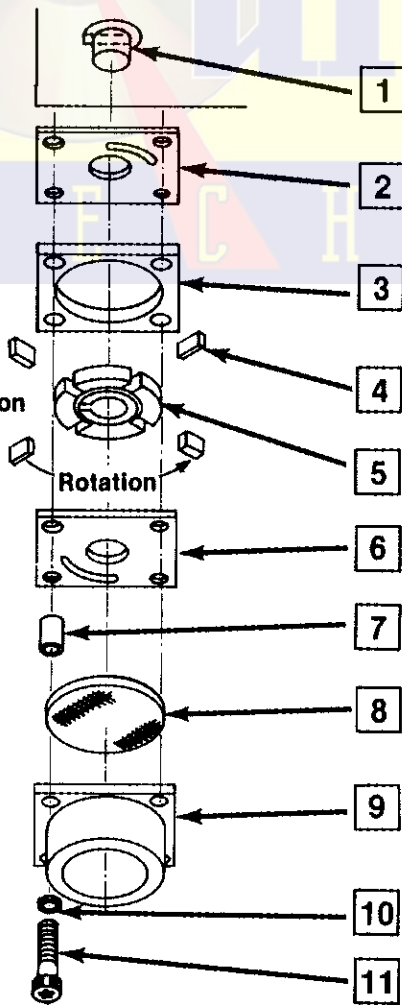


Section B - B

## Pump Block Assembly 6001405 (Items 1 through 40)

1. 6001452 . . . Needle Bearing . . . . .(1)	21. 6001435 . . . Intake Assembly . . . . .(1)
2. 6001453 . . . Thrust Washer (3 nom. or as req'd) . . .(-)	22. 6001436 . . . Hollow Set Screw . . . . .(1)
3. 6001454 . . . Eccentric Collar, . . . . .(1)	23. 6001437 . . . Intake Insert . . . . .(1)
4. 6001455 . . . Roll Pin . . . . .(1)	24. 6001438 . . . Spring . . . . .(1)
5. 6001458 . . . Needle Bearing . . . . .(1)	25. 6001439 . . . Steel Ball Bearing . . . . .(1)
6. 6001457 . . . Ring Bearing . . . . .(1)	26. 6001417 . . . Valve Plunger . . . . .(2)
7. 6001456 . . . Assembly (Ring/Bearing/Staked) . . .(1)	27. 6001415 . . . Spring . . . . .(1)
8. 6001453 . . . Thrust Washer (3 nom. or as req'd) . . .(-)	28. 6001416 . . . Screw Stop . . . . .(1)
9. 6001459 . . . Roller Bearing . . . . .(1)	29. 6001432 . . . Pump Block . . . . .(1)
10. 6001443 . . . Drive Shaft . . . . .(1)	30. 6001419 . . . P. O. Piston Assembly . . . . .(1)
11. 6001441 . . . High Pressure Bushing . . . . .(1)	31. 6001420 . . . "O"-Ring . . . . .(1)
12. 6001442 . . . High Pressure Plunger . . . . .(1)	32. 6001421 . . . P. O. Piston . . . . .(1)
13. 6001461 . . . Pin-Ball Stop . . . . .(1)	33. 6001426 . . . "O"-Ring . . . . .(1)
14. 6001460 . . . "O"-Ring . . . . .(1)	34. 6001422 . . . Valve Body . . . . .(1)
15. 6001425 . . . Spring . . . . .(2)	35. 6001423 . . . Valve Cap . . . . .(1)
16. 6001372 . . . Body Elbow . . . . .(1)	36. 6001418 . . . Spring . . . . .(2)
17. 6001331 . . . Steel Ball Bearing - 9/32" . . . . .(2)	37. 6001431 . . . Cover Plate . . . . .(1)
18. 6001433 . . . "O"-Ring . . . . .(1)	38. 6001427 . . . High Pressure Relief Assembly . . .(1)
19. 6001434 . . . Back-up Ring . . . . .(1)	39. 6001424 . . . Screws . . . . .(4)
20. 6001462 . . . Plunger Plug . . . . .(1)	40. 6001440 . . . Screws . . . . .(3)

Assemble Vanes  
With Sharp Edge  
To Lead In Rotation

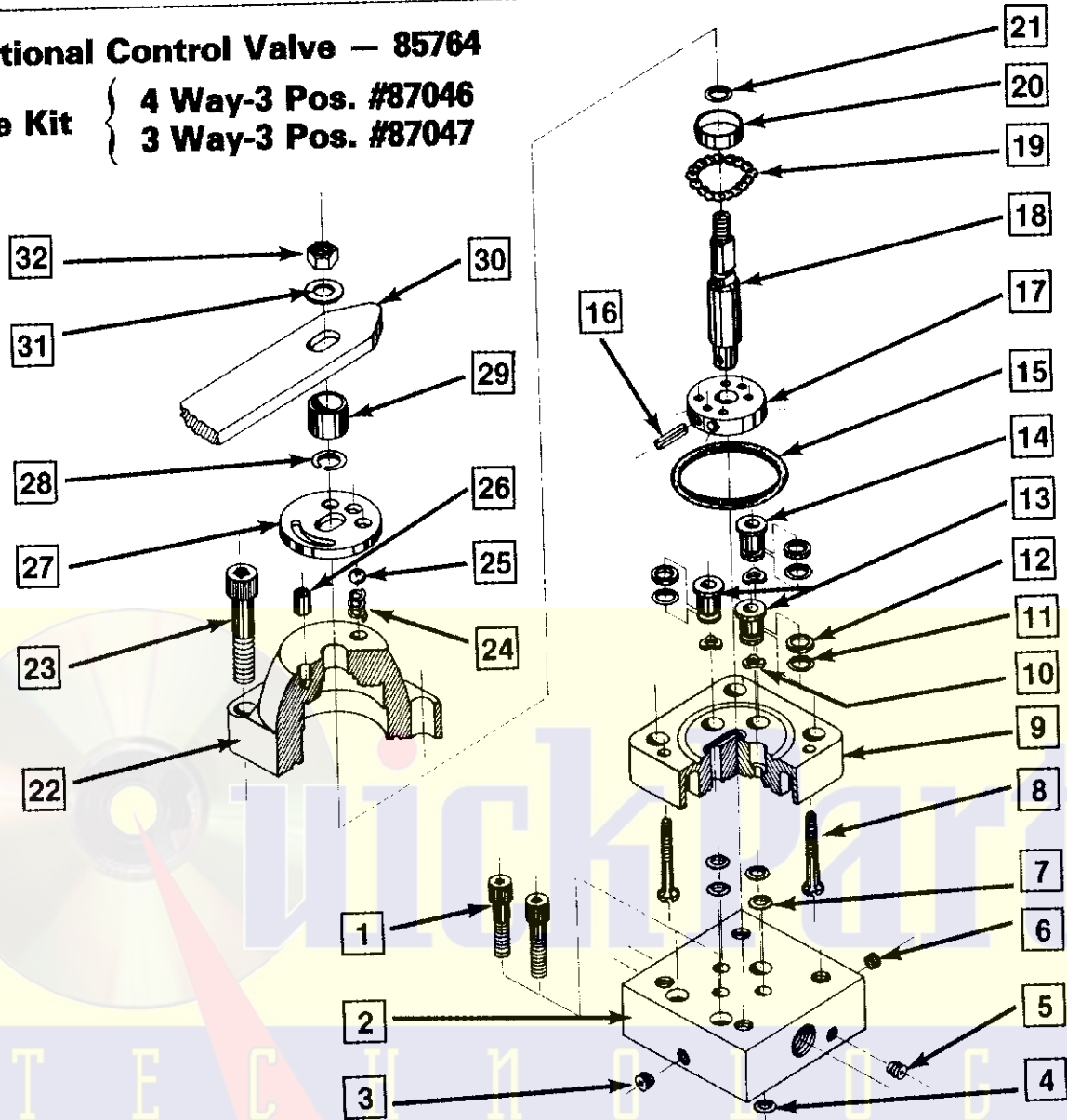


### Vane Pump Assembly

1. 6001444 . . . Pin Dowel . . . . .(1)	21. 6001435 . . . Intake Assembly . . . . .(1)
2. 6001451 . . . Plate, Top . . . . .(1)	22. 6001436 . . . Hollow Set Screw . . . . .(1)
3. 6001450 . . . Plate, Pump . . . . .(1)	23. 6001437 . . . Intake Insert . . . . .(1)
4. 6001448 . . . Vane . . . . .(4)	24. 6001438 . . . Spring . . . . .(1)
5. 6001449 . . . Rotor . . . . .(1)	25. 6001439 . . . Steel Ball Bearing . . . . .(1)
6. 6001444 . . . Plate, Bottom . . . . .(1)	26. 6001417 . . . Valve Plunger . . . . .(2)
7. 6001430 . . . Dowel, Hollow . . . . .(1)	27. 6001415 . . . Spring . . . . .(1)
8. 6001445 . . . Screen, Intake . . . . .(1)	28. 6001416 . . . Screw Stop . . . . .(1)
9. 6001446 . . . Housing, Intake . . . . .(1)	29. 6001432 . . . Pump Block . . . . .(1)
10. 6001428 . . . Lockwasher . . . . .(4)	30. 6001419 . . . P. O. Piston Assembly . . . . .(1)
11. 6001429 . . . Screw . . . . .(4)	31. 6001420 . . . "O"-Ring . . . . .(1)

# Directional Control Valve — 85764

Valve Kit { 4 Way-3 Pos. #87046  
3 Way-3 Pos. #87047



## Directional Control Valve — 85764

- |             |                                   |     |             |                             |      |
|-------------|-----------------------------------|-----|-------------|-----------------------------|------|
| 1. 93590    | Socket Head Screws                | (2) | 17. 6011217 | Rotor                       | (1)  |
| 2. 87040    | Subplate — 4 Way Subplate         | (1) | 18. 6011219 | Shaft Assembly              | (1)  |
| 87041       | Subplate — 3 Way Subplate         | (1) | 19. 80730   | Ball Bearing (Loose Packed) | (17) |
| 3. 93949    | Socket Head Pipe Plug 1/8-27 NPT  | (1) | 20. 80712   | Ball Bearing Retainer       | (1)  |
| 4. 5602012  | "O"-Ring (2-012)                  | (1) | 21. 80725   | "O"-Ring — Shaft            | (1)  |
| 5. 93949    | Socket Head Pipe Plug 1/8-27 NPT  | (1) | 22. 80722   | Housing                     | (1)  |
| 6. 97641    | Socket Head Pipe Plug 1/16-27 NPT | (1) | 23. 93598   | Valve Screws 3/8-16 UNC     | (4)  |
| 7. 6011216  | "O"-Ring Gasket                   | (4) | 24. 80709   | Ball Bearing Spring         | (1)  |
| 8. 85004    | Screw — Manifold                  | (2) | 25. 80731   | Ball Bearing — Detent       | (1)  |
| 9. 6011217  | Body                              | (1) | 26. 80729   | Pin Stop — Detent           | (1)  |
| 10. 80719   | Washer — Shear Seal Spring        | (3) | 27. 80722   | Disc — Detent               | (1)  |
| 11. 80723   | "O"-Ring — Shear Seal             | (3) | 28. 80711   | Retainer Ring               | (1)  |
| 12. 80727   | Back-Up Ring — Shear Seal         | (3) | 29. 80713   | Spacer — Handle             | (1)  |
| 13. 85002   | Shear Seal — (Cyl. Ports)         | (2) | 30. 6011221 | Handle Assembly             | (1)  |
| 14. 85001   | Shear Seal — (Pressure Port)      | (1) | 31. 6001518 | Washer — Shaft              | (1)  |
| 15. 80726   | "O"-Ring — Housing                | (1) | 32. 80714   | Nut With Nylock — Shaft     | (1)  |
| 16. 6011222 | Spirol Drive Pin — Rotor          | (1) |             |                             |      |



# TEMPLETON, KENLY & CO. AUTHORIZED SERVICE DEPOTS



SIMPLEX TOOLS WILL NOT BE ACCEPTED AT THE FACTORY FOR REPAIR.  
A network of service depots is provided for authorized local factory service with personnel trained to back the Simplex warranty. Service depots carry a complete stock of genuine Simplex parts and oil.

ALABAMA, Birmingham Hydraulic Service Co. of Alabama, Inc. 3000 Fourth Ave., South—35222 205/322-8529	COLORADO, Denver Hilliker Hydraulics, Inc. 734 North Santa Fe—80204 303/825-5385	FLORIDA, Tampa Southern Hydraulic Service 1502 East Columbus Drive—33605 813/248-2579
ALABAMA, Birmingham Southern Jack Company 900 Sixth Ave., North—35207 205/254-3830	COLORADO, Fruita H & H Hydraulics 912—19½ Road—81521 303/858-7442	GEORGIA, Atlanta Atlantic Hydraulics 1206 Sylvan Rd. S.W.—30310 404/755-1668
ALASKA, Anchorage Northern Hydraulics 4510 Stuart Way—99503 907/276-5215	CONNECTICUT, New Haven A & L Eastern Hydraulics, Inc. 51 Farren Ave.—06513 203/467-1675	IDAHO, Boise Twilann Corporation 106 East 35th Street—83707 208/344-4534
ARIZONA, Phoenix Jacks, Inc. 1109 E. Tonto—85034 602/258-1569	CONNECTICUT, Milford J & S Hydraulics 45 Old Gate Lane—06460 203/878-5901	IDAHO, Pocatello Fluid & Air Services Inc. 1261 Wilson, Suite 31—83210 208/237-9166
ARIZONA, Phoenix Kaman Fluid Power 2601 South 24th Street—85034 503/228-8313	CONNECTICUT, Stafford Springs John the Jackman Co., Inc. Route 190—06070 203/684-2515	ILLINOIS, Chicago Servall Engineering Inc. 3941 North Kedzie—60618 312/588-7181
ARKANSAS, Little Rock Clark Hydraulic Service 2901 Confederate Blvd.—72206 501/374-1512	FLORIDA, Jacksonville Tingen Hydraulic Service 514 South Edgewood Avenue—32206 904/384-4464	ILLINOIS, Lyons Chicago Jack Service, Inc. 7830 W. 47th St.—60534 312/447-5900
CALIFORNIA, Anaheim Jack-X-Change 1556 W. Embassy—92802 714/635-0603	FLORIDA, Dunedin Hercules Hydraulics Inc. 2650 Enterprise Road—33528 813/796-1300	ILLINOIS, Peoria Bemis Hydraulic Jack & Equipment Co. 518-520 E. War Memorial Drive—61614 309/685-3011
CALIFORNIA, Fresno Kimmerle Brothers 337 M Street—93721 209/233-1278	FLORIDA, Ft. Lauderdale Broward Hydraulic Jack Service 3907 S.W. 12th Court—33312 305/583-2504	ILLINOIS, Rockford Barker-Rockford Co. 29 Airport Drive—61109 815/226-1241
CALIFORNIA, Los Angeles Kimmerle Brothers 2300 S. Hill Street—90007 213/748-2171	FLORIDA, Lakeland Equipment Service Company 5310 S. Florida Ave.—33803 813/646-2941	INDIANA, Evansville Hydraulic Jack Service 601 N. Fulton Avenue—47711 812/423-4891
CALIFORNIA, San Francisco Kimmerle Brothers 226 11th Street—94103 415/431-1163	FLORIDA, Miami Miami Equipment Repair Co., Inc. 1927 N.W. 36th Street—33142 305/635-2313	INDIANA, Evansville Hydraulic Service Div., Brake Supply 4001 Vogel Road—47711 812/479-6881
CALIFORNIA, San Francisco Sheppard Sales Co. 233 Utah Avenue—94080 415/871-8440	FLORIDA, Miami Miami Jack Service Company Inc. 5650 N.W. 37th Avenue—33142 305/634-2226	INDIANA, Ft. Wayne ABC Specialty Company 1075 Kenwood Avenue—46805 219/483-8913
CALIFORNIA, W. Sacramento L & G Specialties 524 Houston—95691 916/371-0958	FLORIDA, Orlando Hydraulic House 1342 W. Church St.—32805 305/422-2317	INDIANA, Gary Longstreet Tool Repair Service 5415 W. Fifth Avenue—46400 219/949-1417
COLORADO, Denver Tools, Inc. 260 Yuma St.—80223 303/744-2779	FLORIDA, Pensacola Hydraulic Service, Inc. 2002 W. St. Joseph St.—32522 904/438-3161	INDIANA, Hammond Servall Engineering 658 State Street—46320 219/931-4346

## TEMPLETON, KENLY & CO. AUTHORIZED SERVICE DEPOTS

INDIANA, Indianapolis  
A & B Hydraulics, Inc.  
1301 E. 10th St.—46202  
317/636-2417

INDIANA, Indianapolis  
Air Power Equipment  
5709 W. 85th Street—46278  
317/872-6766

INDIANA, Plymouth  
Scotty's Hydraulic Repair  
1204 N. Center St.—46563  
219/935-5175

IOWA, Des Moines  
Turner's Hydraulic Service  
3011 Sixth Avenue—50314  
515/282-8381

KANSAS, Kansas City  
Acme Hydraulic Inc.  
706-716 Kansas Ave.—66105  
913/321-6385

KANSAS, Kansas City  
Johnson Repair Service  
3000 Power Drive—66106  
913/831-3735

KANSAS, Pittsburg  
A & A Hydraulics  
Route 3, Box 72—66762  
316/231-2608

KANSAS, Wichita  
Wichita Air & Hydraulics  
2002 W. 2nd—67203  
316/267-1275

KANSAS, Wichita  
Hyspeco  
1339 South Bebe—67209  
316/943-0254

KENTUCKY, Louisville  
Queen Hydraulics  
1226 Rowan Street—40203  
502/587-0855

LOUISIANA, New Orleans  
Beerman Precision Machine Works  
2021 Thalia Street—70153  
504/581-1998

LOUISIANA, Shreveport  
Scott Hydraulics  
505 Aero Drive—71107  
318/424-5326

LOUISIANA, West Monroe  
Northwest Air & Hydraulic  
2418 Jonesboro Road—71291  
318/323-8289

MARYLAND, Baltimore  
Holdridge Engineering Company  
2406 Aisquith—21218  
301/467-0815

MASSACHUSETTS, Boston  
Ace Jack Repair Service  
121 Brookline Avenue—02215  
617/536-7700

MICHIGAN, Ishpeming  
O.K. Auto Supply Company Inc.  
101 West Division Street—49849  
906/485-5181

MICHIGAN, Grand Rapids  
Hydraulic Equipment Service Company  
1401 Alpine Avenue—49504  
616/454-1917

MICHIGAN, Lansing  
Hydraulics of Lansing  
2220 Raymond Drive—48906  
517/374-8008

MICHIGAN, Muskegon  
Muskegon Hydraulic Jack Co.  
1250 Getty—49442  
616/773-1250

MICHIGAN, Petoskey  
E-K Hydraulics  
714 East Lake—49770  
616/347-7720

MICHIGAN, Warren  
Hydraulic Service, Inc.  
21251 Ryan Rd.—48091  
313/758-0100

MINNESOTA, Minneapolis  
Hydraulic Jack & Equipment Service Co.  
2601 Aldrich Avenue, South—55408  
612/872-7177

MINNESOTA, Grand Rapids  
Arrowhead Hydraulic Jack Repair  
Rt. 2—55744  
218/326-6849

MISSISSIPPI, Jackson  
Dixie Hydraulic Service  
1640 S. Gallatin Avenue—39204  
601/948-5103

MISSOURI, Avondale  
MINOKA  
3014 Excelsior Ave.—64010  
816/454-3434

MISSOURI, Kansas City  
Comet Ind.  
4800 Deramus—64120  
816/483-3757

MISSOURI, St. Louis  
Equipment Service Company  
3200 Chouteau Avenue—63103  
314/772-8024

MISSOURI, Springfield  
Voris Hydraulics Inc.  
312 North Delaware—65802  
417/869-7933

MONTANA, Great Falls  
Falls Hydraulic Jack Service  
701 Third Avenue, South—59401  
406/453-3959

NEBRASKA, Omaha  
Mark Hydraulic Company Inc.  
4771 G Street—68117  
402/734-6734

NEW JERSEY, Newark  
Metro Hydraulic Jack Co. of New Jersey  
52 Elm Street—07105  
201/589-4663

NEW JERSEY, Union Beach  
Hydrair, Inc.  
615 Union Avenue—07735  
201/739-1961

NEW MEXICO, Albuquerque  
The Wild Co.  
3410 Gurrard Blvd., N.E.—87101  
505/345-2464

NEW MEXICO, Farmington  
Pierce Hydraulic Service  
820 East Main Street—87401  
505/325-6743

NEW MEXICO, Hobbs  
Alcorn Tool Company Inc.  
411 East Albertson—88240  
505/392-6670

NEW YORK, Brooklyn  
Metro Hydraulic Jack Company  
846 E. 52nd St.—11203  
212/629-0260

NEW YORK, Buffalo  
Buffalo Hydraulic Jack Service  
488 Walden Street—14211  
716/893-6510

NEW YORK, Rensselaer  
Albany Hydraulic & Lube Service  
98A Columbia Turnpike 12144  
518/477-9401

NEW YORK, Rochester  
Buffalo Hydraulic Jack Ser.  
629 Ramona St.—14615  
716/458-1850

NEW YORK, Syracuse  
Ace Hydraulic Service, Inc.  
1201 Burnet Avenue—13203  
315/479-5351

NORTH CAROLINA, Charlotte  
Charlotte Hydraulic Service  
2133 South Tryon Street—28203  
704/374-1306

NORTH CAROLINA, Greensboro  
Carolina Jack & Equip. Co.  
3310 E. Wendover Ave.—27405  
919/375-6050

## TEMPLETON, KENLY & CO. AUTHORIZED SERVICE DEPOTS

**NORTH CAROLINA, Wilmington**  
Wilmington Hydraulics Co.  
707 Wellington---28401  
919/762-1090

**OHIO, Cincinnati**  
Eureka Tool & Hydraulic Service  
3818 North Bend Road---45211  
513/661-3244

**OHIO, Cincinnati**  
Queen City Supply Company  
7676 Reinhold Drive---45237  
513/761-4210

**OHIO, Cleveland**  
A & A Hydraulic Repair Service Inc.  
2735 Scranton Road---44113  
216/621-1133

**OHIO, Cleveland**  
Ohio Hydraulic Jack Service Company  
3826 Payne Avenue---44114  
216/361-1828

**OHIO, Columbus**  
Ohio Hydraulic Service  
24 North Grubb Street---43215  
614/221-8495

**OHIO, Dayton**  
Armstrong Hydraulic Service  
3336 Lodge Avenue---45414  
513/274-8043

**OHIO, Toledo**  
West Equipment Repair  
1545 E. Broadway---43605  
419/698-1601

**OHIO, Youngstown**  
Pennsylvania Tool Sales Company Inc.  
741-D McClurg Road---44512  
216/758-9285

**OKLAHOMA, Bixby**  
National Hydraulics Supply  
18131 S. 158th E. Ave.---74008  
918/366-3270

**OKLAHOMA, Oklahoma City**  
Hydraulic Equipment Company  
515 South Broadway---73125  
405/235-3318

**OKLAHOMA, Tulsa**  
Mac's Hydraulic Jack Service  
2108 East Eleventh Street---74104  
918/592-0525

**OREGON, Portland**  
Equipment Service, Inc.  
1204 N.W. Glison---97209  
503/227-3360

**OREGON, Portland**  
Karn Repair Service Inc.  
1215 S.W. 16th---97205  
503/228-8313

**PENNSYLVANIA, Erie**  
Montgomery Hydraulics Inc.  
2840 Greeley Avenue---16506  
814/833-6526

**PENNSYLVANIA, Hanover**  
Systems Company, Inc.  
270 West Chestnut St.---17331  
717/637-2222

**PENNSYLVANIA, Lancaster**  
Bart's Repair Service Inc.  
1952 Landis Valley Rd.---17601  
717/392-1568

**PENNSYLVANIA, Lehigh Valley**  
William H. Taylor & Company  
L.V.I.P. #2---18001  
215/264-5431

**PENNSYLVANIA, Philadelphia**  
Equipment Service Company  
1921 Callowhill Street---19130  
215/563-8390

**PENNSYLVANIA, Pittsburgh**  
J & M Hydraulic Service  
4063 Liberty Avenue---15224  
412/682-4555

**PENNSYLVANIA, Pittsburgh**  
Tri-State Hydraulics  
5007 Lytle Street---15207  
412/421-6200

**RHODE ISLAND, Warwick**  
Tri-Power Sales & Service  
111 Pennsylvania Avenue---02886  
401/738-4479

**SOUTH CAROLINA, Charleston**  
Baldwin Bros. Air & Hydraulic Jack Serv.  
2132 Spruill Avenue---29405  
803/744-6323

**SOUTH CAROLINA, Columbia**  
General Jack & Grease Gun  
1013 Whaley St.---29201  
803/799-3132

**SOUTH DAKOTA, Sioux Falls**  
Midwest Jack Service  
2115 W. 12th---57101  
605/338-9982

**TENNESSEE, Chattanooga**  
Hydraulic Jack Service, Inc.  
140 W. 14th St.---37401  
615/266-2978

**TENNESSEE, Knoxville**  
Lubrication Equipment Service  
808 E. Magnolia---37917  
615/525-8401

**TENNESSEE, Memphis**  
Mid-South Hydraulics  
319 S. Somerville---38104  
901/526-3114

**TENNESSEE, Nashville**  
Johnson & White Equipment Service  
1004 Gallatin Avenue---37206  
615/227-1263

**TEXAS, Corpus Christi**  
Bush's Hydraulic Repair Service  
1915 North Lexington---78408  
512/289-0441

**TEXAS, Dallas**  
Hydraulic Service & Supply  
1823 Levee---75207  
214/748-6015

**TEXAS, Houston**  
Hydraulic Equipment Service Company  
1021 North San Jacinto---77002  
713/228-9601

**TEXAS, Lubbock**  
Hydraulic Equipment Company  
328 Avenue H---79401  
806/763-7621

**TEXAS, Odessa**  
Wagoner Machine and Supply  
221 East 1st Street---79760  
915/333-3882

**TEXAS, San Antonio**  
Sankey Equipment Company  
2005 Broadway---78215  
512/227-4178

**TEXAS, Waco**  
Cummins Hydraulic  
2125 S. Valley Mills---76701  
817/754-8537

**UTAH, Salt Lake City**  
Gustin Hydraulic Repair  
151 N. Commonwealth (2130 S.)---84115  
801/487-0624

**VIRGINIA, Alexandria**  
D & S Repair Service, Inc.  
20 South Dove Street---22314  
703/683-0009

**VIRGINIA, Portsmouth**  
Hydraulic Service Company  
3104 Victory Boulevard---23702  
804/487-2513

**VIRGINIA, Richmond**  
Moore's Jack & Equipment Service  
2403 North Lombardy Street---23220  
804/321-6623

**VIRGINIA, Roanoke**  
Stultz Machinery & Manufacturing Co.  
1546 Brownlee Avenue. S.E.---24014  
703/981-9359

**WASHINGTON, Seattle**  
Universal Repair Shop  
1611 Boylston Avenue---98122  
206/322-2726



## TEMPLETON, KENLY & CO. AUTHORIZED SERVICE DEPOTS

WEST VIRGINIA, Bluefield  
Mustard Equipment Service, Inc.  
700 Hardy Street—24701  
304/325-9804

WEST VIRGINIA, Chapmanville  
S.M.I.  
5th St. and Railroad Ave.—25508  
304/855-4410

WEST VIRGINIA, Charleston  
CCC Hydraulic Service  
4325 Washington Street W.—25312  
304/744-5391

WEST VIRGINIA, Clarksburg  
Mountaineer Industries, Inc.  
1040 South Chestnut Street—26301  
304/624-4821

WISCONSIN, Green Bay  
Mac's Hydraulic Parts & Service  
Route 3, Manitowoc Road—54306  
414/465-1313

WISCONSIN, Milwaukee  
Pagel Hydraulic Service, Inc.  
2122 West Burnham Street—53204  
414/383-6755

WISCONSIN, Oak Creek  
A.F.I. Direct Service, Inc.  
7515 South Tenth Street—53154  
414/764-1160

WISCONSIN, Pewaukee  
Hader Industries  
H27W2305 Hwy. 164—53072

WISCONSIN, Pewaukee  
Hader Industries  
H27W2305 Hwy. 164—53072  
414/542-5660

WYOMING, Casper  
E & H Inc.  
7072 Salt Creek—82601  
307/235-1569

WYOMING, Casper  
Mountain Mine & Industrial Supply  
2105 Oil Drive—82602  
307/266-2900

WYOMING, Rock Springs  
National Supply, Big Sky Mining Division  
504 Creek Avenue—82901  
307/382-7381

## TEMPLETON, KENLY CANADA LTD., AUTHORIZED SERVICE DEPOTS

TEMPLETON, KENLY CANADA LTD. • 1565 Britannia Road East, Units 18-20 • Mississauga, Ontario L4W 1S5  
Telephone: (416) 678-1321 • Telex: 06-968701

ALBERTA  
Alberta Hydraulics  
9412 62nd Ave.  
Edmonton  
Telephone: (403) 437-1850  
Telex: 037-42521

Alberta Hydraulics  
5220A-1A St., S.W.  
Calgary  
Telephone: (403) 259-4794  
Telex: 03-822506

MANITOBA  
Vulcan Machinery & Equipment Ltd.  
1600 Gamble Place  
Winnipeg  
Telephone: (204) 475-8000  
Telex: 05-827850

ONTARIO  
Roy's Hydraulic Service Limited  
399 Oakdale Road  
Downsview  
Telephone: (416) 741-5467

BRITISH COLUMBIA  
Armature Electric Ltd.  
275 West 4th Avenue  
Vancouver  
Telephone: (604) 879-6141  
Telex: 04-55154

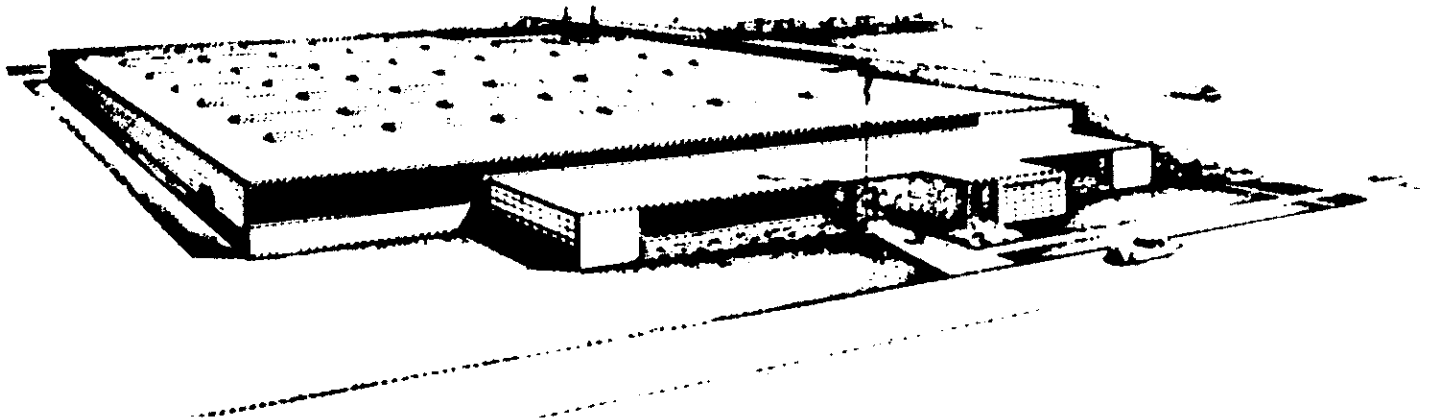
QUEBEC  
Inolec Inc.  
8948 Lajeunesse  
Montreal  
Telephone: (514) 389-3533

## WARRANTY

Templeton, Kenly & Co. warrants to the purchaser of its products that if the product or any part thereof in the judgment of Templeton, Kenly & Co. is proven to be defective in material or workmanship within one year from the date of original purchase, such defects will be repaired or replaced (at the company's option) free of charge for parts and labor.

This warranty does not apply to any product which has been damaged by accident or which has been misused, abused, altered or repaired by anyone other than recognized Templeton, Kenly authorized Service Depots.

This warranty is in lieu of all other warranties expressed or implied, and no other person is authorized to assume for Templeton, Kenly & Co. any other liability in connection with the sale of this product.



WORLD'S LARGEST MANUFACTURERS OF INDUSTRIAL MECHANICAL AND HYDRAULIC JACKS