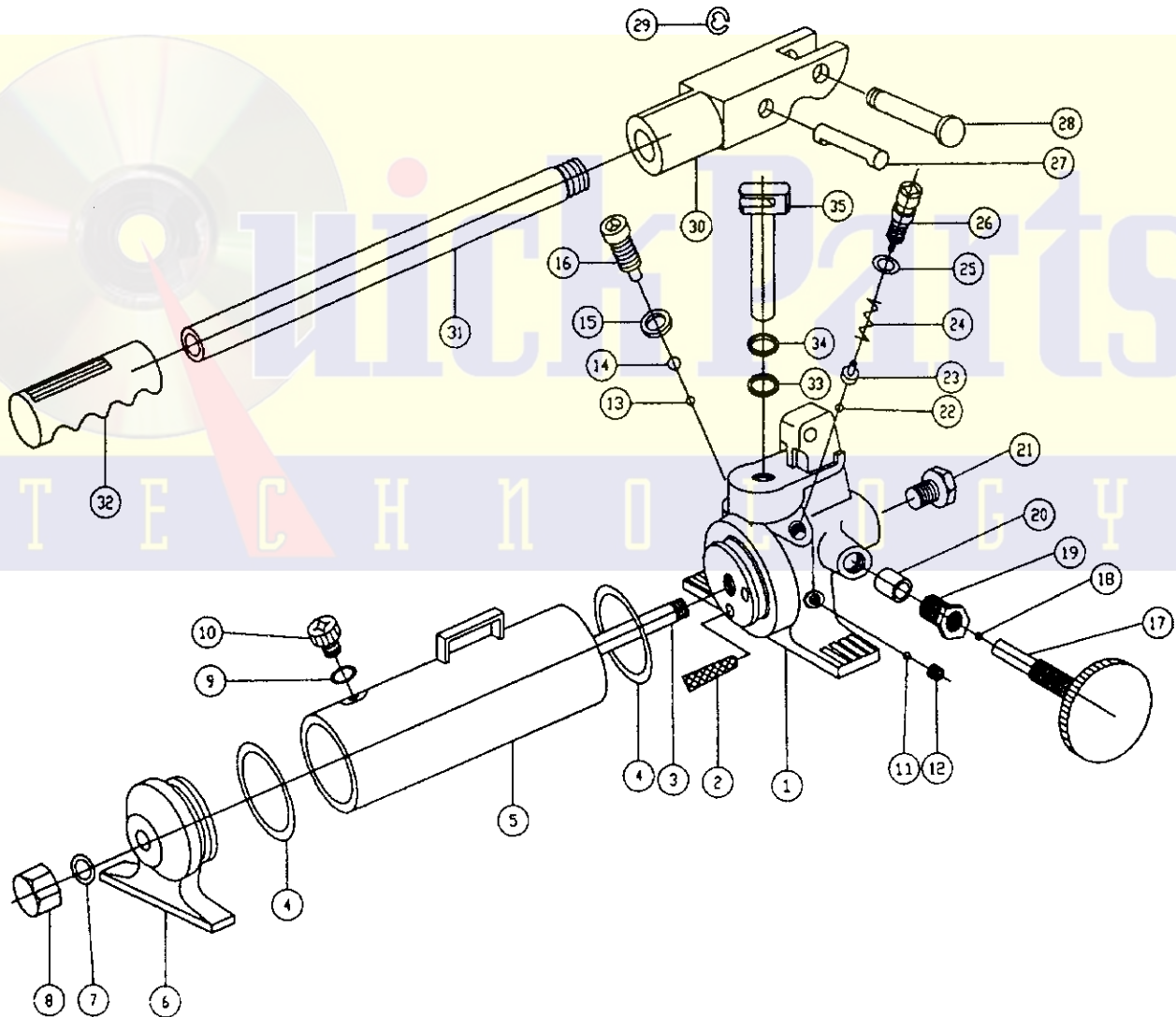


SIMPLEX®

P41 HAND PUMP REPAIR PARTS SHEET





WARRANTY

Templeton, Kenly & Co., Inc. warrants to the purchaser of its products that if the product or any part thereof in the judgement of Templeton, Kenly & Co., Inc. is proven to be defective in material or workmanship within one year from the date of original purchase (two years on Heavy Duty Hydraulics and five years on Super Jacks), such defects will be repaired or replaced (at the company's option) free of charge for parts and labor.

This warranty does not apply to any product which has been damaged by accident or which has been misused, abused, altered, or repaired by anyone other than recognized Templeton, Kenly authorized Service Centers.

This warranty is in lieu of all other warranties expressed or implied, and no other person is authorized to assume for Templeton, Kenly & Co., Inc. any other liability in connection with the sale of this product.

Simplex Division of Templeton, Kenly & Co., Inc.

2525 Gardner Road • Broadview, Illinois 60153 • 708-865-1500 • Fax: 708-865-0894

PARTS LIST

ITEM NUMBER	DESCRIPTION	QTY.	CONTROL NUMBER P41
1	Housing	1	N/A
2	Filter	1	6067001
3	Long Screw	1	6067002
4	O-Ring	2	*
5	Reservoir	1	6067004
6	Foot	1	6067005
7	O-Ring	1	*
8	Nut	1	6067007
9	O-Ring	1	*
10	Air Vent/Fill Plug	1	6067009
11	Steel Ball	1	6067010
12	Plug	1	6067011
13	Steel Ball	1	6067012
14	Steel Ball	1	6067013
15	Copper Washer	1	6067014
16	Bolt	1	6067015
17	Release Valve	1	6067039
18	Steel Ball	1	6067010
19	Release Nut	1	6067038
20	Release Valve Packing	1	*
21	3/8 Bolt Plug	1	6067035
22	Steel Ball	1	6067034
23	Pin	1	6067033
24	H.P. Spring	1	6067032
25	O-Ring	1	*
26	Bolt	1	6067029
27	Piston Pin	1	6067028
28	Socket Pin	1	6067027
29	Snap Ring	1	6067026
30	Socket	1	6067023
31	Handle	1	6067024
32	Handle Grip	1	6067025
33	O-Ring	1	*
34	Back Up Ring	1	*
35	Piston	1	6067041
	Packing Kit		54148

* Items included in packing kit