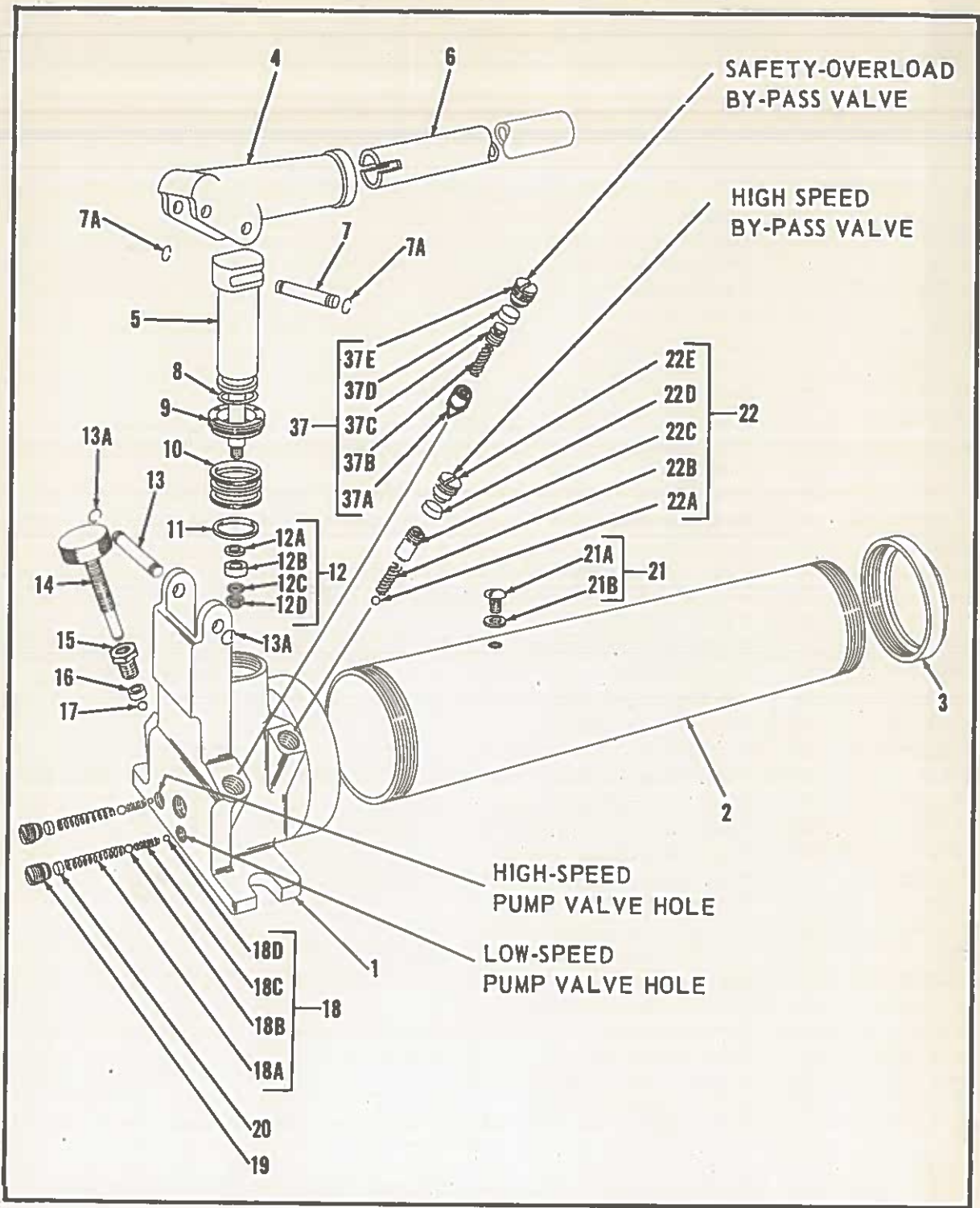


Simplex Re-Mo-Trol Pump



**No.
RP6**

*Hose 6"
RP3-8
2909*

RP3.35 Boat

Templeton, Kenly & Co. Page 118

16th and Gardner Road Broadview, Ill. (Chicago Suburb)



Simplex Re-Mo-Trol Pump

Item No.	Pump No. RP6		Name of Part
	Part No.	List Price Each	
1	RP6-1	40.00	Housing (Incl. Oil Channel Plug 3HJ-1A)
2	RP5-2	9.40	Reservoir Tube
3	RP5-3	4.65	Reservoir Tube Support
4	RP5-6	2.30	Handle Socket
5	RP5-13	5.10	Pump Piston
6	303A-47	1.50	Operating Handle
7	RP5-12	.85	Pump Piston Pin
7A	3HJ-18A	.10	Pump Piston Pin Clip . . . (2-Req.)
8	RP5-13C	.15	Pump Piston "O" Ring
10	RP5-10	2.70	Pump Gland
11	RP5-11	1.20	Male Adapter
12	RP5-4	.35	Pump Packing Complete (Incl. Items No. 12A, 12B, 12C, & 12D)
12A	RP5-13E	.10	Pump Cup Washer
12B	RP5-13D	.30	Pump Piston Cup
12C	-----	.10	Pump Cup Washer (# 10 Std. Small Brass Washer)
12D	-----	.10	Pump Cup Nut (# 10-32 Thin Flexloc Nut)
13	RP5-6A	.85	Handle Socket Pin
13A	3HJ-18A	.10	Handle Socket Pin Clip . . . (2-Req.)
14	RP3-4	1.50	Release Screw
15	RP3-5	.85	Release Screw Gland
16	303A-40A	.20	Release Valve Packing
17	3HJ-23B	.10	Release Valve Ball (1/4)
18	RP5-5	.20	Pump Valve Assembly (Incl. Items No. 18A, 18B, 18C, & 18D) . . . (2-Req.)
18A	3HJ-23D	.10	Pump Valve Spring (Large) . . . (2-Req.)
18B	3HJ-23C	.10	Pump Valve Ball (Large 3/8) . . . (2-Req.)
18C	RP5-14	.10	Pump Valve Spring (Small)
18D	3HJ-23B	.10	Pump Valve Ball (Small-1/4) . . . (2-Req.)
19	3HJ-21	.15	Valve Screw
20	3HJ-24	.10	Valve Seal . . . (2-Req.)
21	3HJ-22	.10	Oil Filler Screw Assembly (Incl. Items No. 21A & 21B)
21A	3HJ-22B	.10	Oil Filler Screw
21B	3HJ-22A	.10	Oil Filler Screw Washer
22	RP6-53	1.75	High Speed By-Pass Valve Assembly (Incl. Items No. 22A, 22B, 22C, 22D, & 22E)
22A	303A-39B	.10	Valve Ball (3/16)
22B	RP6-18B	.10	High Speed Valve Spring
22C	RP6-18A	.65	High Speed Valve Screw
22D	3HJ-24	.10	Valve Seal
22E	3HJ-21	.15	Valve Screw
37	RP6-52	3.30	Safety-Overload By-Pass Valve Assembly (Incl. Items No. 37A, 37B, 37C, 37D, & 37E)
37A	RP6-7C	1.35	Safety Valve Needle
37B	RP3-7A	.20	Safety Valve Spring
37C	RP3-7B	.30	Safety Valve Adjusting Screw
37D	3HJ-24	.10	Valve Seal
37E	3HJ-21	.15	Valve Screw

In ordering, specify the PART NUMBER, NAME OF PART, and JACK NUMBER

Templeton, Kenly & Co.

16th and Gardner Road Broadview, Ill. (Chicago Suburb)