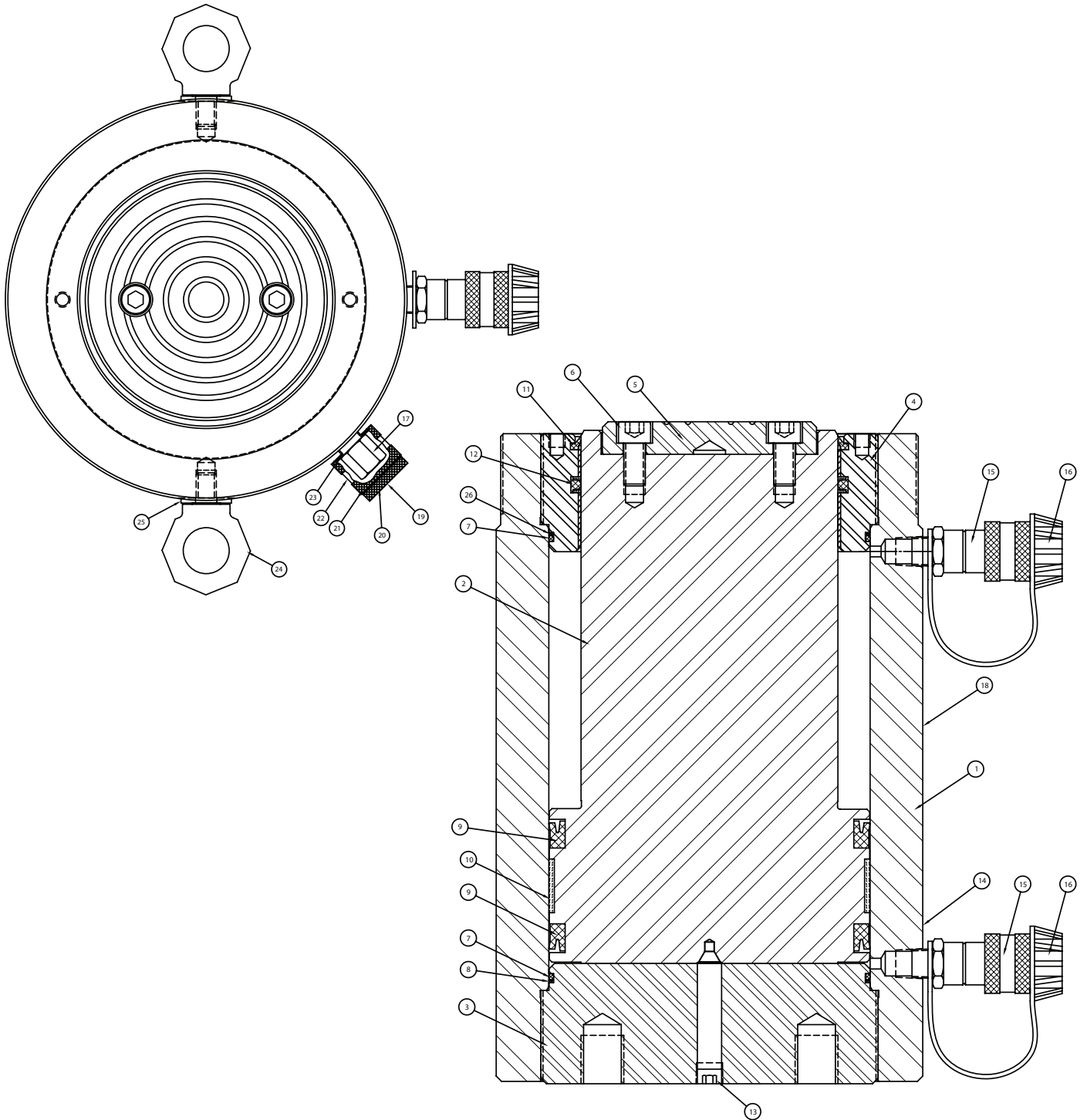




www.tksimplex.com

Technical Repair Parts Sheet
Model #RDA2002, 2006,
2008, 20013
Double Acting Cylinders

Part Sheet Number	Revision Number	Date Code Range	Document Date
TD108	B	xxxx	01/14



To Maintain Your Warranty

Have your products inspected and repaired by Authorized Simplex Service Center
Visit www.tksimplex.com to locate the nearest one.



www.tksimplex.com

Technical Repair Parts Sheet
 Model #RDA2002, 2006, 20013
 Double Acting Cylinders

ITEM	DESCRIPTION	MODELS				QTY
		RDA2002	RDA2006	RDA2008	RDA20013	
01	HOUSING	N/A	N/A	N/A	N/A	1.00
02	PISTON	44828	87719	DS2355040	87725	1.00
03	BOTTOM	87722	87722	87722	87722	1.00
04	RETAINING NUT	87720	87720	87720	87720	1.00
05	LOAD CAP	87721	87721	87721	87721	1.00
06	SHCS 1/2-13X1.00	95509	95509	95509	95509	2.00
07	O-RING	*	*	*	*	2.00
08	BU-WASHER	*	*	*	*	1.00
09	U-SEAL	*	*	*	*	2.00
10	WEAR RING	*	*	*	*	1.00
11	WIPER RNG	*	*	*	*	1.00
12	T-SEAL	*	*	*	*	1.00
13	FLUSH SOC 3/8-18PTF	84084	84084	84084	84084	1.00
14	WARNING DECAL	80827	80827	80827	80827	2.00
15	FEMALE COUPLER	40858	40858	40858	40858	2.00
16	DUST CAP	CR215	CR215	CR215	CR215	2.00
17	RELIEF VALVE 10,500 PSI	84027	84027	84027	84027	1.00
18	SIMPLEX LOGO LARGE	89967	89967	89967	89967	1.00
019	DECAL-EXT. REL. VLV. CAP	88826	88826	88826	88826	1.00
020	DUST PLUG	88822	88822	88822	88822	1.00
021	SLEEVE	88823	88823	88823	88823	1.00
022	DECAL-EXT. REL. VLV. SLE	88825	88825	88825	88825	1.00
023	WASHER	88824	88824	88824	88824	1.00
024	SWIVEL EYE BOLT 1/2	43308	43308	43308	43308	2.00
025	WASHER RLR150 EYEBLT	43307	43307	43307	43307	2.00
026	BU - WASHER	*	*	*	*	1.00
	PACKING KIT=* CONTENTS	54376	54376	54376	54376	1.00



To Maintain Your Warranty
 Have your products inspected and repaired by Authorized Simplex Service Center
 Visit www.tksimplex.com to located the nearest one.

