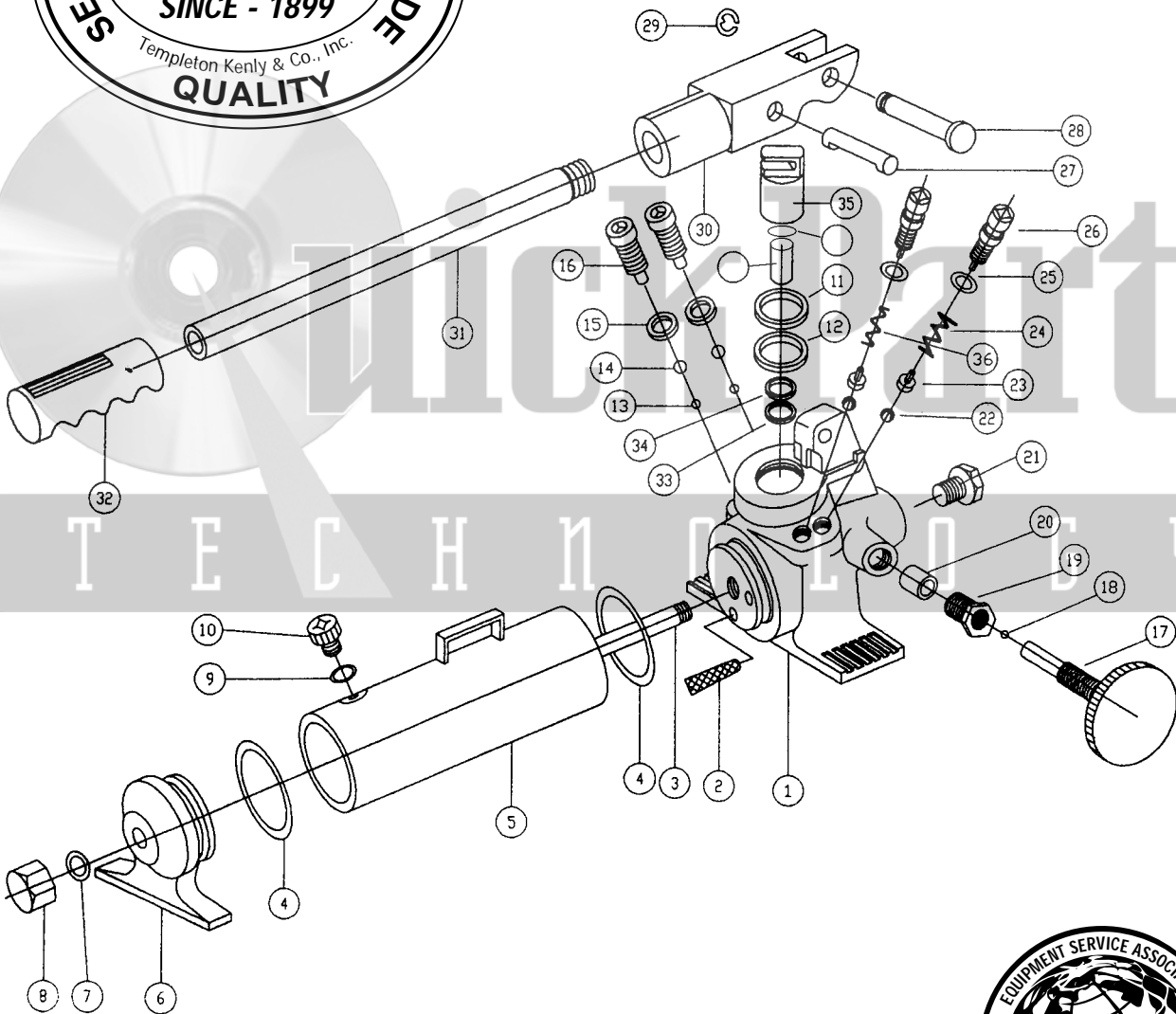


SIMPLEX

P42 & P82 HAND PUMPS REPAIR PART SHEET

REVISED 10-98



P82 Not Shown in Drawing.





WARRANTY

Templeton, Kenly & Co., Inc. warrants to the purchaser of its products that if the product or any part thereof in the judgement of Templeton, Kenly & Co., Inc. is proven to be defective in material or workmanship within one year from the date of original purchase (two years on Heavy Duty Hydraulics and five years on Super Jacks), such defects will be repaired or replaced (at the company's option) free of charge for parts and labor.

This warranty does not apply to any product which has been damaged by accident or which has been misused, abused, altered, or repaired by anyone other than recognized Templeton, Kenly authorized Service Centers.

This warranty is in lieu of all other warranties expressed or implied, and no other person is authorized to assume for Templeton, Kenly & Co., Inc. any other liability in connection with the sale of this product.

PARTS LIST FOR P42 & P82

ITEM NUMBER	DESCRIPTION	QTY.	CONTROL NUMBER	
			P42	P82
1	Housing	1	N/A	N/A
2	Filter	1	6067001	6067001
3	Long Screw	1	6067002	6067065
4	O-Ring	1	*	*
5	Reservoir	1	6067004	6067064
6	Foot	1	6067005	----
7	O-Ring	1	*	*
8	Nut	1	6067007	6067007
9	O-Ring	1	*	*
10	Air Vent/Fill Plug	1	6067009	6067066
11	Back Up Ring	1	*	*
12	O-Ring	1	*	*
13	Steel Ball	2	6067012	6067012
14	Steel Ball	2	6067013	6067013
15	Copper Washer	2	6067014	6067014
16	Bolt	2	6067015	6067015
17	Release Valve	1	6067039	6067039
18	Steel Ball	1	6067010	6067010
19	Release Nut	1	6067038	6067038
20	Release Valve Packing	1	*	*
21	3/8 Bolt Plug	1	6067035	6067035
22	Steel Ball	2	6067034	6067034
23	Pin	2	6067033	6067033
24	H.P. Spring	1	6067032	6067032
25	O-Ring	2	*	*
26	Bolt	2	6067029	6067029
27	Piston Pin	1	6067028	6067028
28	Socket Pin	1	6067027	6067027
29	Snap Ring	1	6067026	6067026
30	Socket	1	6067023	6067023
31	Handle	1	6067024	6067024
32	Handle Grip	1	6067025	6067025
33	O-Ring	1	*	*
34	Back Up Ring	1	*	*
35	Upper Piston	1	6067022	6067022
36	L.P Spring	1	6067031	6067031
37	Lower Piston	1	6067018	6067018
38	Snap Ring	1	6067019	6067019
	Packing Kit		54148	54148

* Items included in

Simplex Division of Templeton, Kenly & Co., Inc.

2525 Gardner Road • Broadview, Illinois 60155 • 708-865-1500 • Fax: 708-865-0894 • www.tksimplex.com