

Operators Manual

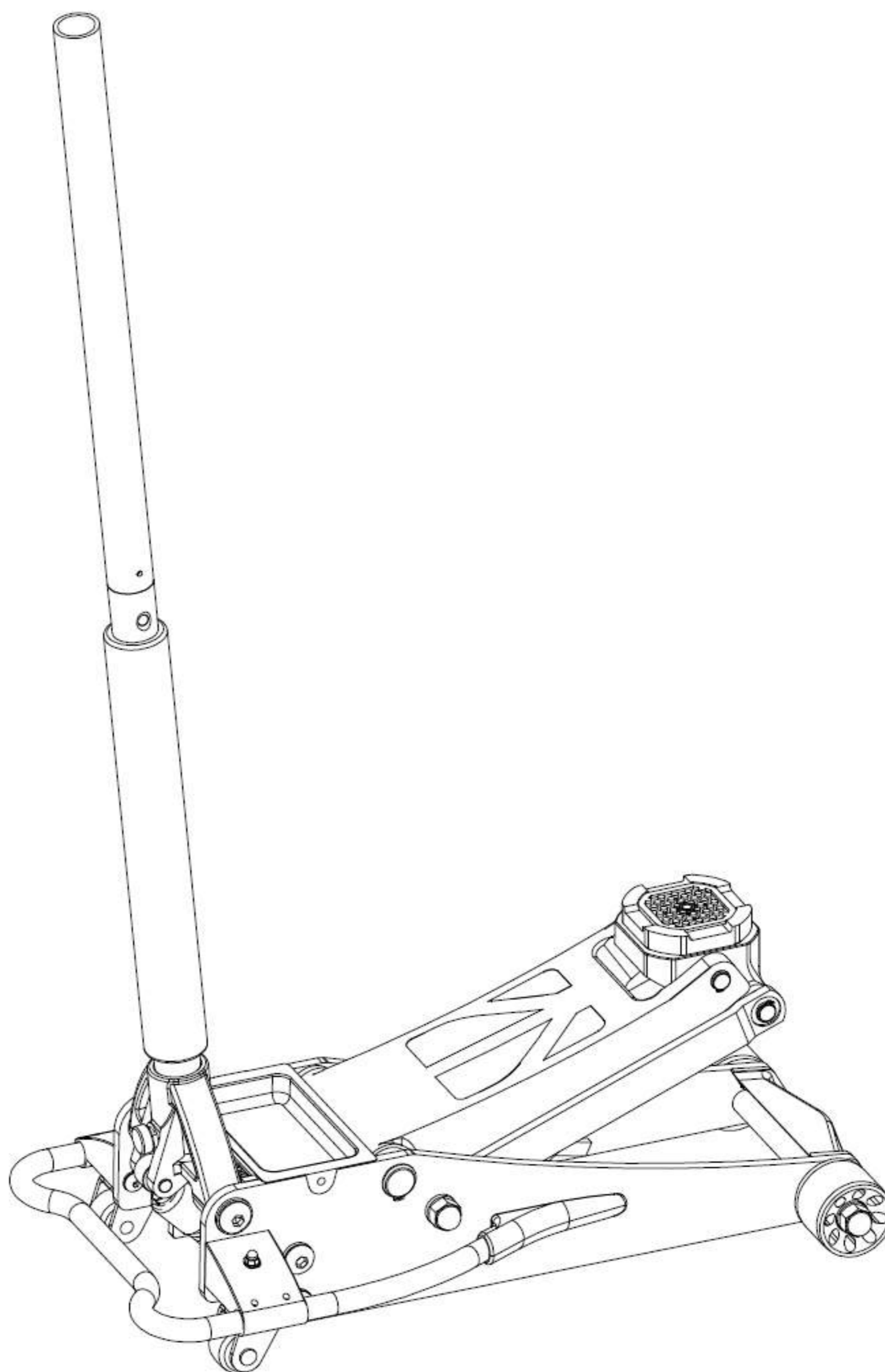
CRAFTSMAN®

PROFESSIONAL

3 TON CAPACITY ALUMINUM FLOOR JACK

Model No. 50244

- **Safety**
- **Assembly**
- **Operation**
- **Maintenance**
- **Parts**



CAUTION: Before using this product, read this manual and follow all its Safety Rules and Operating instructions.

Sears, Roebuck and Co., Hoffman Estates, IL 60179
Visit our Craftsman website: www.sears.com/craftsman

TABLE OF CONTENTS

WarrantyP. 2
Save these instructionsP. 2
Safety instructionsP. 3
AssemblyP. 3
OperationP. 4
MaintenanceP. 5
PartsP. 6
TroubleshootingP. 6
ServiceP. 7

WARRANTY

CRAFTSMAN PROFESSIONAL WARRANTY

If this Craftsman Professional product fails due to a defect in material or workmanship within one year from the date of purchase, return it to any Sears store or other Craftsman Professional outlet in the United States for free replacement.

This warranty gives you specific legal rights, and you may also have other rights which vary from state to state.

Sears, Roebuck and Co., Hoffman Estates, IL 60179

SAVE THESE INSTRUCTIONS

For your safety, read, understand, and follow the information provided with and on this jack.

- The owner and operator of this equipment shall have an understanding of this jack and safe operating procedures before attempting to use. The owner and operator shall be aware that use and repair of this product may require special skills and knowledge. Jack instructions and safety information must be conveyed in jack operator's native language before jack is used. If any doubt exists as to the safe and proper use of this jack, remove from service immediately.
- Inspect before each use. Do not use if broken, bent, cracked, or damaged parts (including labels) are noted. Any jack that appears damaged in any way, operates abnormally or is missing parts, shall be removed from service immediately.
- If the jack has been or suspected to have been subjected to a shock load (a load dropped suddenly, unexpectedly upon it), immediately discontinue use until jack has been checked by a Sears or other qualified service center. It is recommended that an annual inspection be done by qualified personnel.
- Labels and Owner's Manuals are available from Sears (see PARTS section on page 6).

SAFETY INSTRUCTIONS

⚠️ WARNING

- Study, understand, and follow all instructions with and on this device before operating this device.
- Do not exceed rated capacity.
- Use only on hard, level surfaces capable of sustaining rated capacity loads.
- Lift only on areas of the vehicle as specified by the vehicle manufacturer.
- This is a lifting device only. Immediately after lifting, support the vehicle with appropriately rated vehicle stands.
- Never work on, under, or around a load supported only by this device.
- Do not move or dolly the vehicle while on the jack.
- No alterations shall be made to this product.
- Only attachments and/or adapters supplied by the manufacturer shall be used. Contact 1-888-332-6419 for more information.
- Failure to heed product markings or warnings may result in personal injury or property damage.

- To stabilize the oil, it is recommended to cycle the jack a few times without applying load:
 - Close release valve by turning the jack handle clockwise until tight.
 - Pump the handle until the jack saddle reaches its maximum height.
 - Open release valve by turning jack handle counter-clockwise, but no more than 1/2 full turn at a time. Allow the saddle to reach its lowest position.
 - Repeat the above procedure a few times.
- To release air from the hydraulic system:
 - Open the release valve by turning the jack handle counterclockwise, but never by more than 1/2 full turn at a time.
 - Remove the oil filler screw from the cylinder. (see Fig. 4)
 - Rapidly pump jack handle through several full strokes.
 - Reinstall the oil filler screw into the cylinder again and jack is now ready to use.

CAUTION BEFORE USING

Occasionally during shipment and/or handling the hydraulic oil can become unstable or air can get trapped in the system, both of which can interfere with the jacks lifting performance.

BEFORE EACH USE

Make a visual inspection before each use of the floor jack by checking for abnormal conditions, such as cracked welds, leaks and damaged, loose, or missing parts.

DAMAGE TO JACK

If you think jack has been subjected to an abnormal load or shock, have it inspected for damage at a Sears or other qualified service center before using it again.

ASSEMBLY

TO ASSEMBLE THE TWO PIECE HANDLE

- Locate the spring pin on bottom end of upper handle and the spring pin receiver on the upper end of lower handle. (see Fig. 1).
- Align the spring pin with the spring pin receiver. Connect the two handle pieces together by pressing the spring pin and insert until the spring pin is locked in the spring pin receiver.

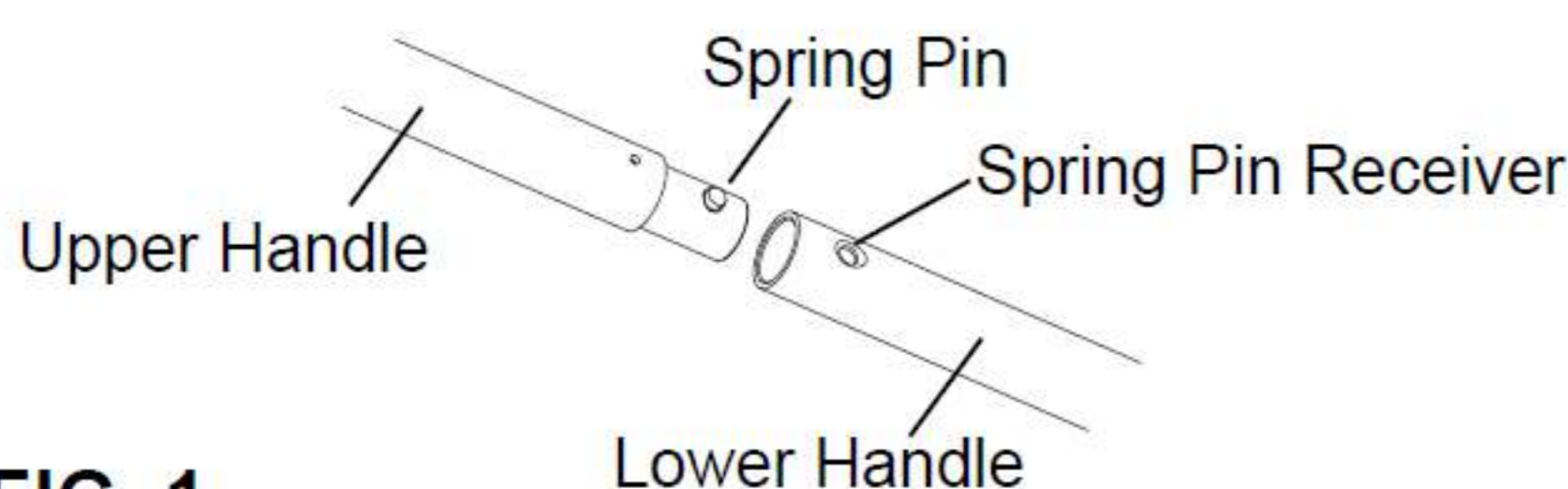


FIG. 1

TO ASSEMBLE THE HANDLE INTO THE SOCKET

- Pull out and hold the spring knob.
- Insert the assembled handle into the handle socket, until it is firmly seated.
- Release the spring knob; the handle is now fixed in position.

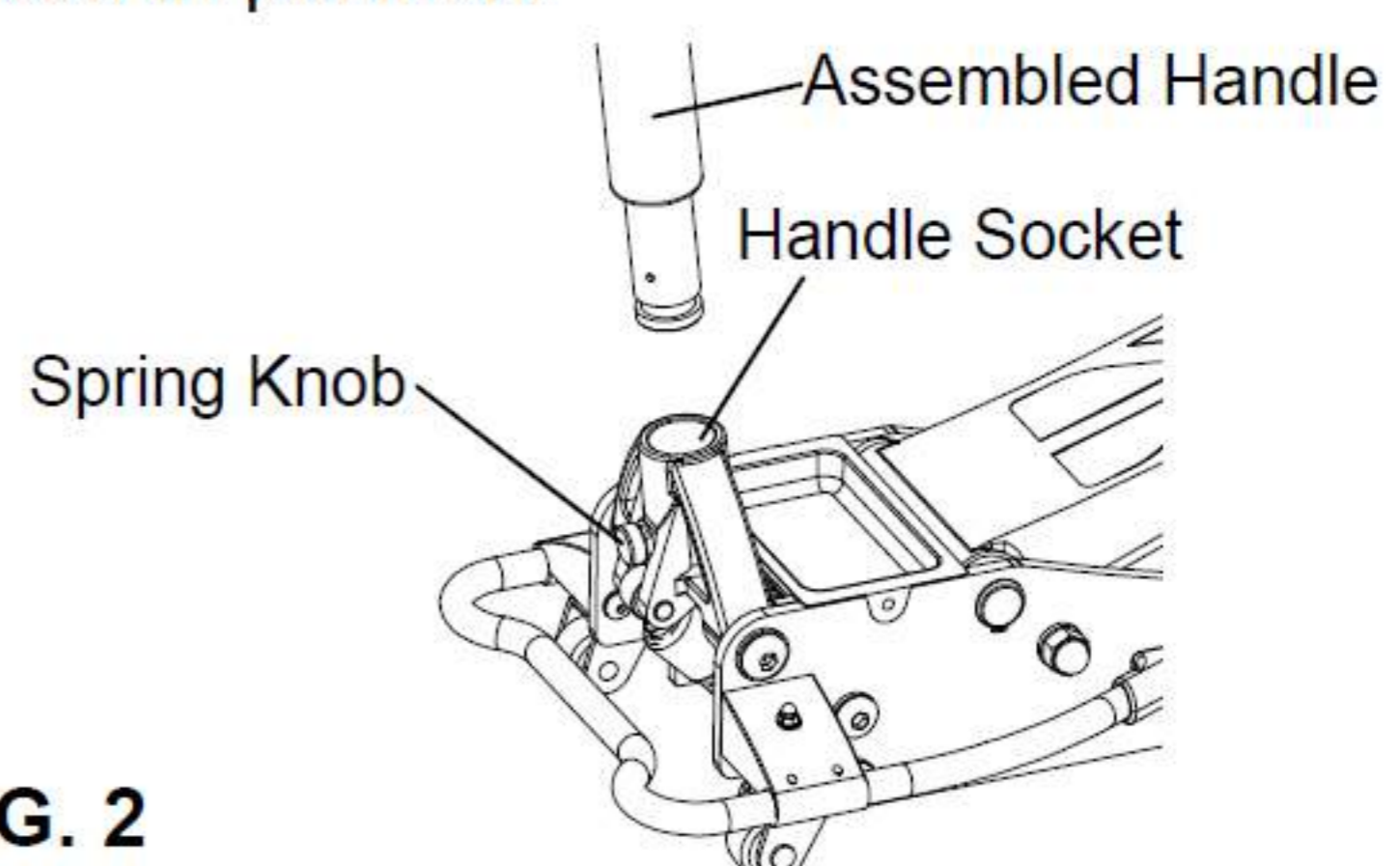


FIG. 2

OPERATION

KNOW YOUR JACK

Compare Fig. 3 illustration with your jack BEFORE operation to become familiar with the location of various jack components.

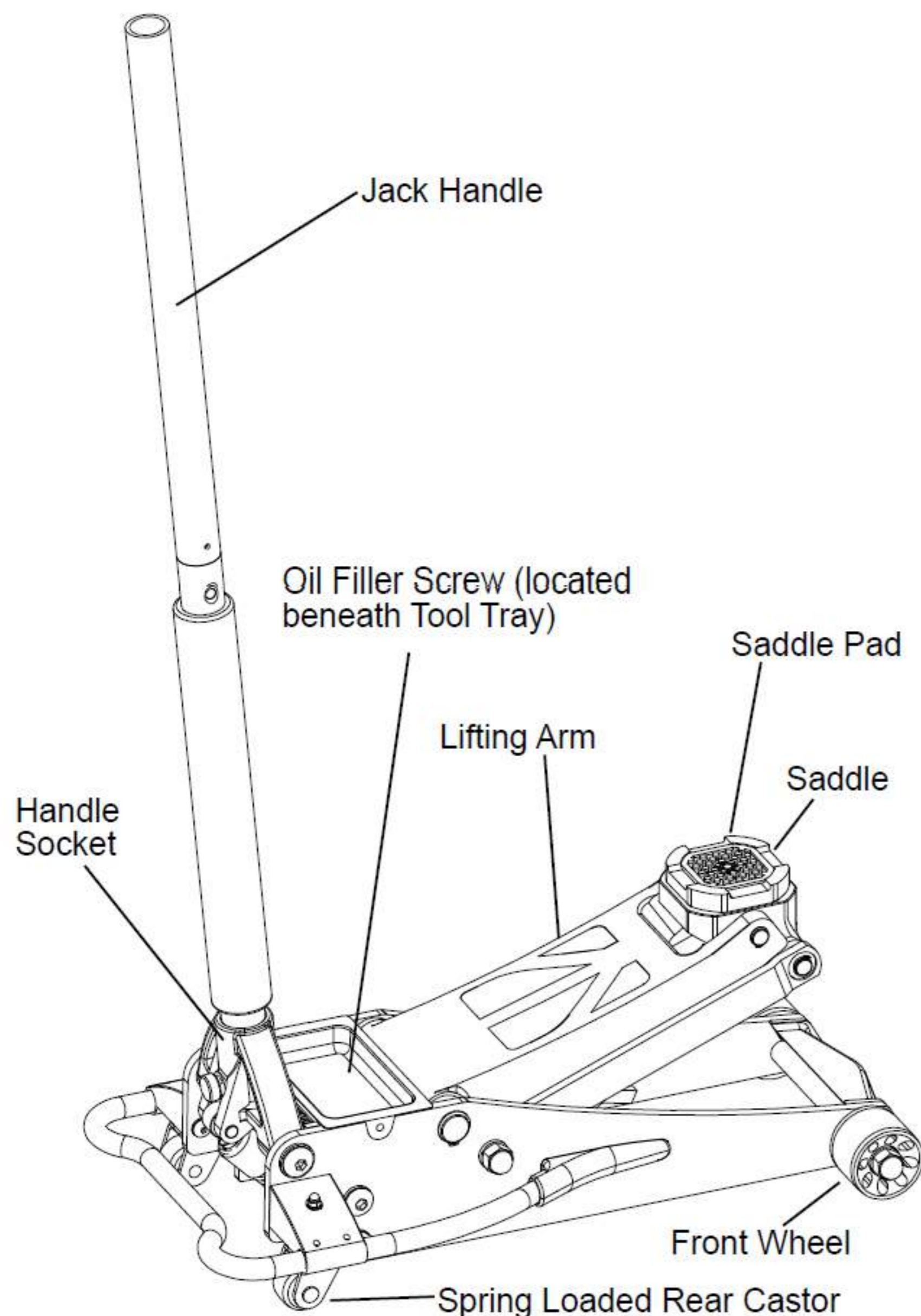


FIG. 3

SPECIFICATIONS

Rated Capacity: 3 Ton / 6000 LBS

Jack Dimensions: 28 1/2" x 14" x 6 5/16"

Lifting Range: 3 7/8" - 18 1/2" (99 - 470 mm)

Oil Capacity: 265 c.c.

Net Weight: 56.6 lbs

OPERATING PRINCIPLES

- With release valve closed, an upward stroke of the jack handle draws oil from the reservoir tank into the plunger cavity. Hydraulic pressure holds a valve closed, which keeps the oil in the plunger cavity.
- A downward stroke of the jack handle releases oil into the cylinder, which forces the ram out. This raises the saddle. (NOTE: To avoid damage to the cylinder if the load exceeds the rated capacity of the jack, oil is automatically released back into the reservoir through the safety overload valve.)
- When the ram reaches maximum extension, oil is bypassed back into the reservoir to prevent an over-extended ram stroke and possible damage to the jack.
- Opening the release valve allows oil to flow back into the reservoir. This releases hydraulic pressure on the ram, which results in lowering the saddle.

HOW TO USE YOUR JACK

RAISING THE JACK

- Chock the vehicle wheels with appropriate devices to prevent vehicle from moving and to ensure lifting stability.
- Close the release valve by turning the jack handle clockwise until tight. (see Fig. 3)
- Refer to the vehicle manufacturer's owner's manual to locate approved lifting points on the vehicle. Position jack so that the saddle (see Fig. 3) is centered under the load at an appropriate lift point.
- Pump jack handle until saddle ALMOST contacts the vehicle. Check to see that the saddle is centered and will contact the load lifting point firmly.
- Continue to pump the jack handle to lift the vehicle to the desired height. After lifting, immediately support the load with appropriately rated vehicle support stands BEFORE working on the vehicle.

LOWERING THE JACK

- SLOWLY open the release valve by turning the handle counterclockwise, but never more than 1/2 full turn at a time.

MAINTENANCE

MAINTAINING OIL LEVEL

Important: When adding or replacing oil, ALWAYS use a good grade Hydraulic Jack oil. DO NOT use Hydraulic Brake Fluid, Alcohol, Glycerine, Detergent, Motor Oil or dirty oil. Use of an improper fluid can cause serious internal damage to your jack. We recommend Mobil DTE13M or equivalent.

ADDING OIL

- Position the jack on level ground and fully lower the saddle. (Ram will be all the way in). Remove oil filler screw from the reservoir (see Fig. 3 & 4).
- Oil should be filled to the level of about 3/16" above the inner cylinder as seen from the oil filler hole. If low, add oil as needed.
- Re-install oil filler screw. The jack is now ready to use.

LUBRICATION

- Add lubricating oil to all moving parts as needed.

PREVENTING RUST

- Check ram and pump piston (see Fig. 4) every few months for any signs of rust or corrosion. Clean as needed by wiping with an oily cloth.
- When not in use, ALWAYS store jack with saddle lowered all the way down.

ANNUAL INSPECTION

To ensure that it is in optimum condition, annual inspection of the jack at a Sears Service Center is recommended.

REPLACING OIL

- To drain oil, remove oil filler screw and open release valve. Turn jack over and drain old oil out through the oil filler hole.
Note: Dispose of hydraulic oil in accordance with local regulations.
- Refill with new oil through the oil filler hole. DO NOT allow dirt or foreign material to enter the hydraulic system when filling.
- After refilling, remove any air from the hydraulic system by opening the release valve and rapidly pumping the jack handle several times.
- Re-install oil filler screw and the jack is ready to use.

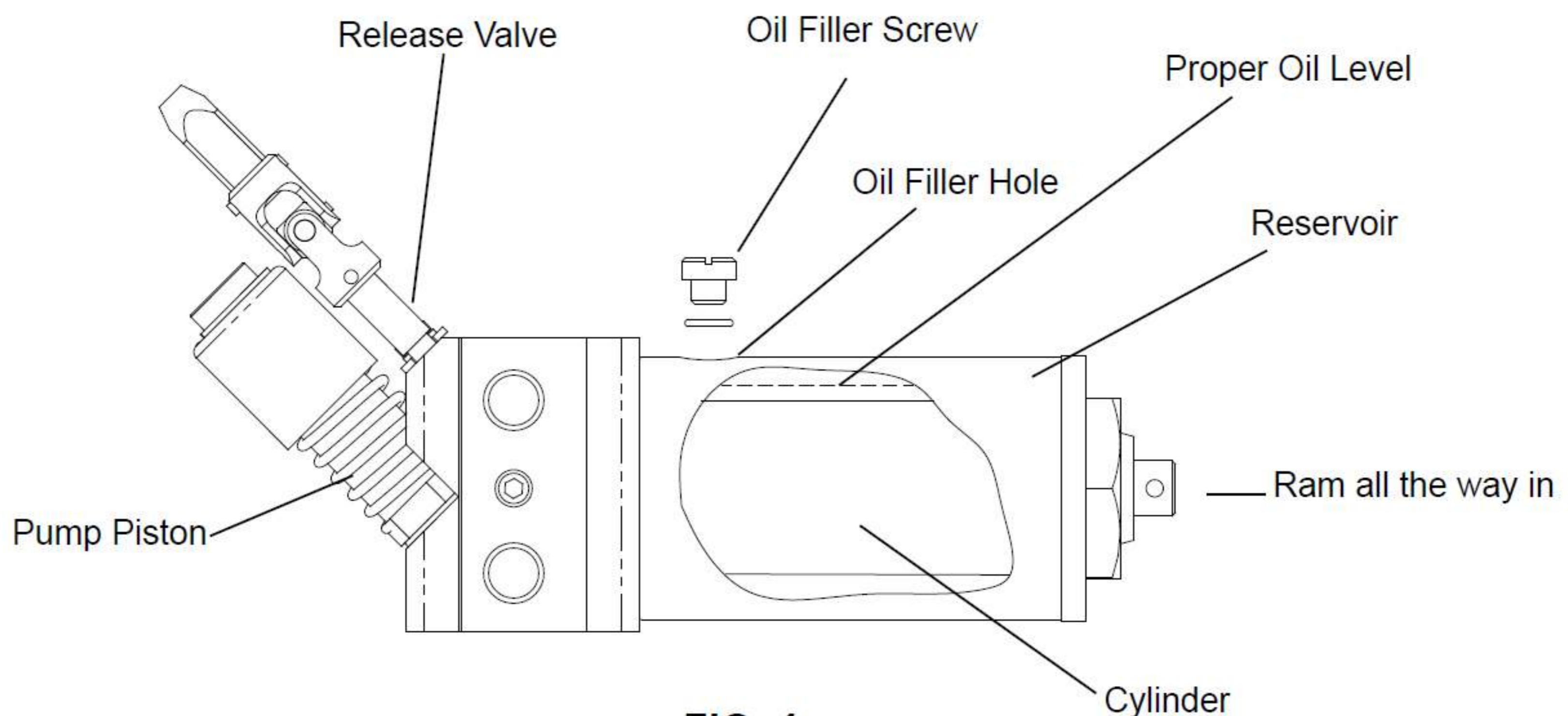


FIG. 4

PARTS

MODEL NUMBER: 50244

Not all components of the jack are replacement items, but are illustrated as a convenient reference of location and position in the assembly sequence. When ordering parts, give Model number, Serial Number and parts description. The Model Number and Serial Number are found on the lifting arm and handle socket respectively.

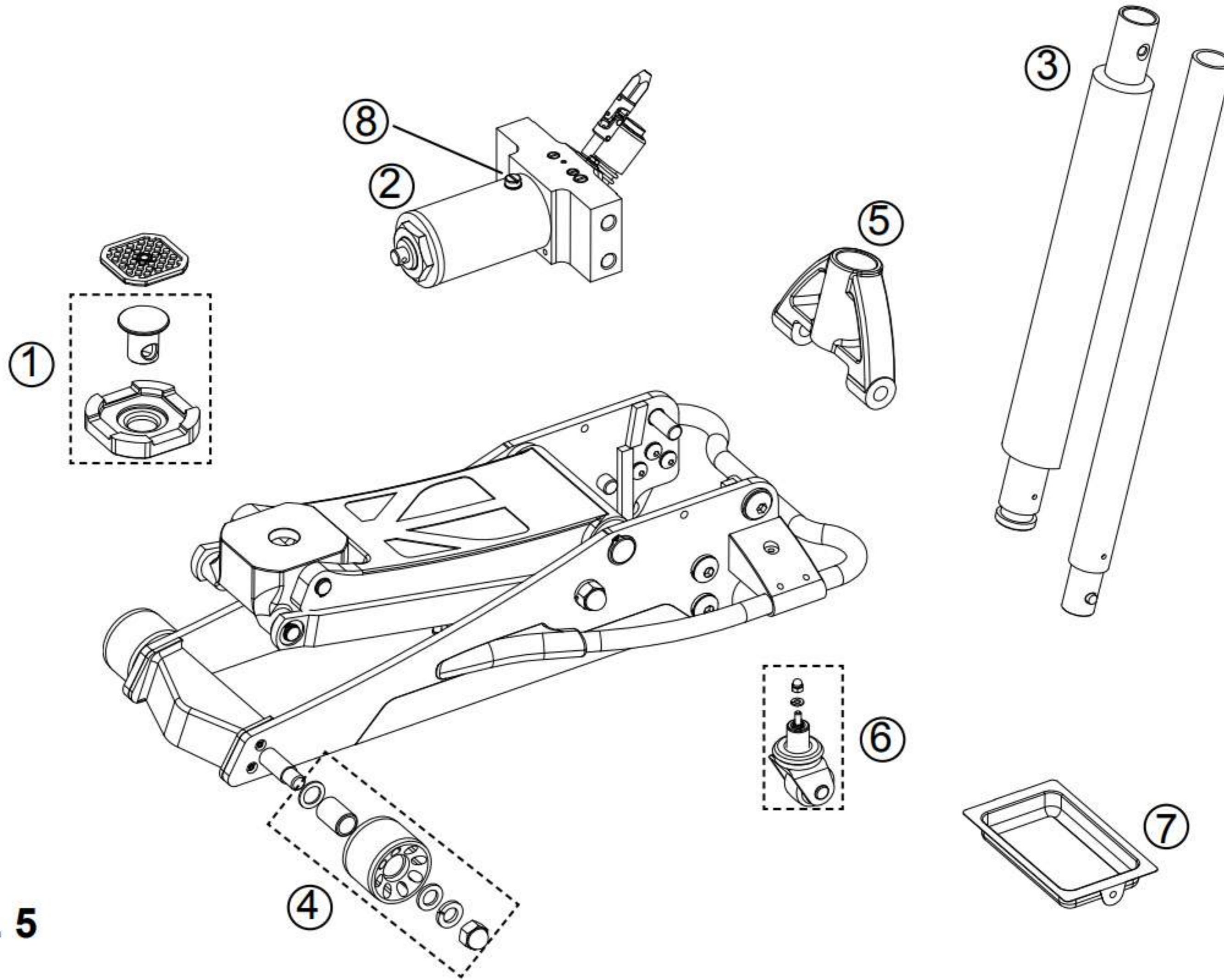


FIG. 5

Key	Part Number	Description
1	G63200-0002	Saddle Assembly
2	G63200-0001	Power Unit Assembly
3	G63200-0003	Handle Assembly
4	G63200-0004	Front Wheel Assembly
5	G63200-0005	Handle Socket Assembly
6	G63200-0006	Rear Castor Assembly
7	G63200-0007	Tool Tray
8	G62001-0008	Oil Filler Screw
--		Operators Manual
--		Warning Label

For after sale support and assistance:

Call 1-888-332-6419 8:00 AM - 4:45 PM CST., Monday - Friday

Get it fixed, at your home or ours!

Your Home

For repair – **in your home** – of all major brand appliances, lawn and garden equipment, or heating and cooling systems, **no matter who made it, no matter who sold it!**

For the replacement parts, accessories and owner's manuals that you need to do-it-yourself.

For Sears professional installation of home appliances and items like garage door openers and water heaters.

1-800-4-MY-HOME®
(1-800-469-4663)

Call anytime, day or night
(U.S.A. and Canada)

www.sears.com

www.sears.ca

Our Home

For repair of carry-in items like vacuums, lawn equipment, and electronics, call or go on-line for the location of your nearest **Sears Parts and Repair Center.**

1-800-488-1222 Call anytime, day or night (U.S.A. only)
www.sears.com

To purchase a protection agreement (U.S.A.) or maintenance agreement (Canada) on a product serviced by Sears:

1-800-827-6665 (U.S.A.)

1-800-361-6665 (Canada)

Para pedir servicio de reparación a domicilio, y para ordenar piezas:

1-888-SU-HOGAR®
(1-888-784-6427)

Au Canada pour service en français:

1-800-LE-FOYER^{MC}
(1-800-533-6937)
www.sears.ca



© Sears Brands, LLC

® Registered Trademark / ™ Trademark / ™ Service Mark of Sears Brands, LLC

® Marca Registrada / ™ Marca de Fábrica / ™ Marca de Servicio de Sears Brands, LLC

^{MC} Marque de commerce / ^{MD} Marque déposée de Sears Brands, LLC