

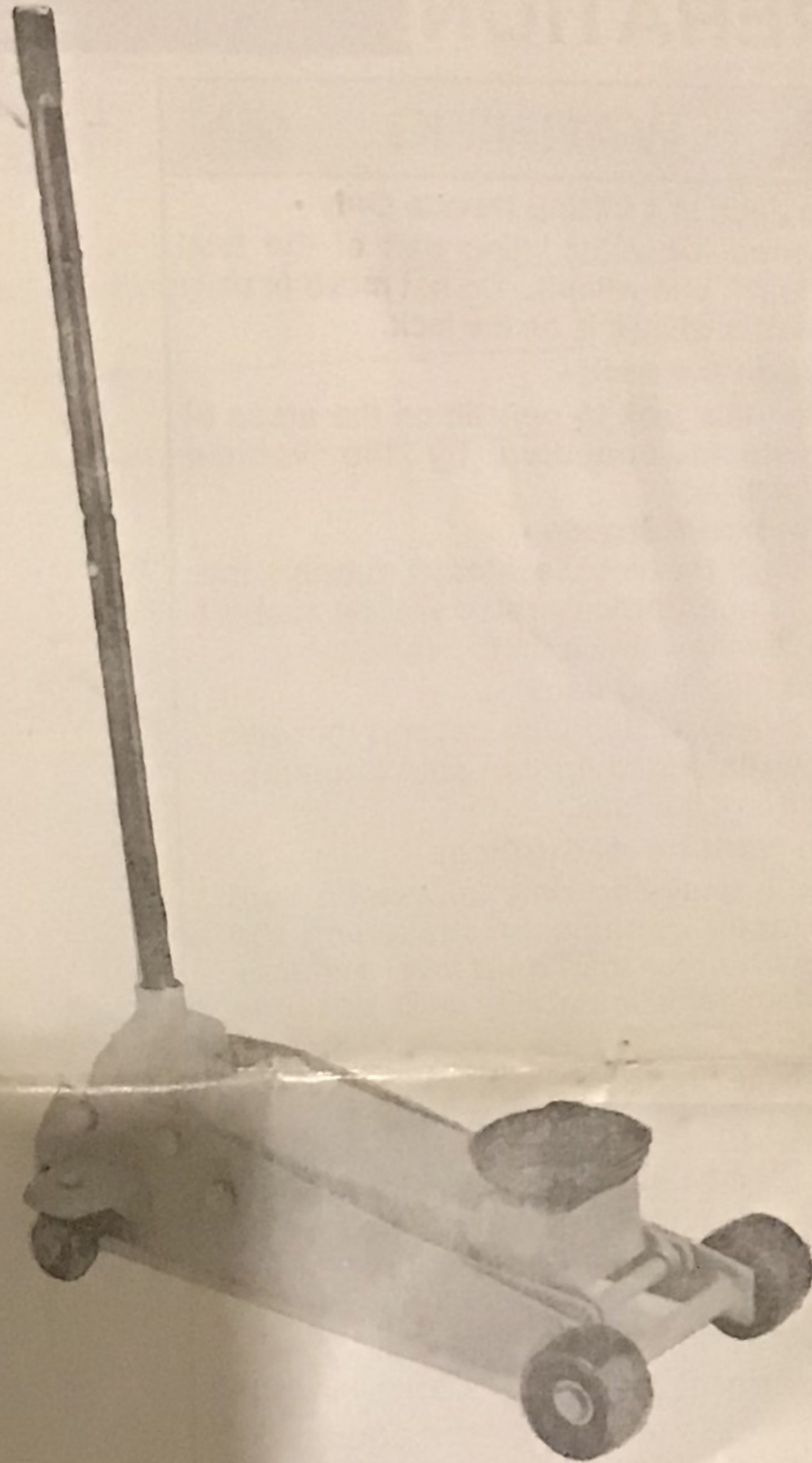
SEARS

**Owner's
Manual**

**MODEL NO.
875.501151**

CAUTION:

Read Rules for
Safe Operation
and Instructions
Carefully



SEARS / CRAFTSMAN®

**3 TON CAPACITY
SERVICE JACK**

- Operation
- Maintenance
- Repair Parts
- Warranty

Sold by SEARS, ROEBUCK AND CO., HOFFMAN ESTATES, IL 60179 U. S. A.

193 85141882

OPERATION

WARNING

• This Jack is a Lifting Device Only •

Designed *only* for lifting part of the total vehicle (ie. one wheel). Do not move or dolly the vehicle while it is on the jack.

• Position the Jack •

Position this jack to *only* lift on the areas of the vehicle specified by the vehicle manufacturer.

• Use Support Stands •

After lifting the vehicle *always* support the load with appropriately rated vehicle support stands *before* working on the vehicle.

• Do Not Overload Jack •

Do not overload this jack beyond its rated capacity. Overloading can cause damage to or failure of the jack.

• Use on Hard Level Surfaces •

This jack is designed *only* for use on hard level surfaces capable of sustaining the load. Use on other than hard level surfaces can result in jack instability and possible loss of load.

• Center Load on Jack Saddle •

Center load on jack saddle *before* lifting vehicle. Off-center loads and loads lifted when the jack is not level can cause loss of load or damage to the jack.

• Read Operating Instructions •

Study, understand and follow all instructions in this manual *before* operating the jack. Failure to heed these warnings may result in loss of load, damage to the jack and/or jack failure resulting in personal injury or property damage.

CAUTION

During shipment and handling, air may get trapped in the hydraulic system, which can interfere with the jack's lifting performance.

Follow these steps to release air from the hydraulic system:

- Open the release valve by turning the jack handle counter clockwise (Fig. 1).
- Loosen oil filler plug (Fig. 1).
- Rapidly pump jack handle with several full strokes.

Keep Hands and Feet Clear of the Jack Hinge Mechanism and Ground Contact Area When Lowering the Load!

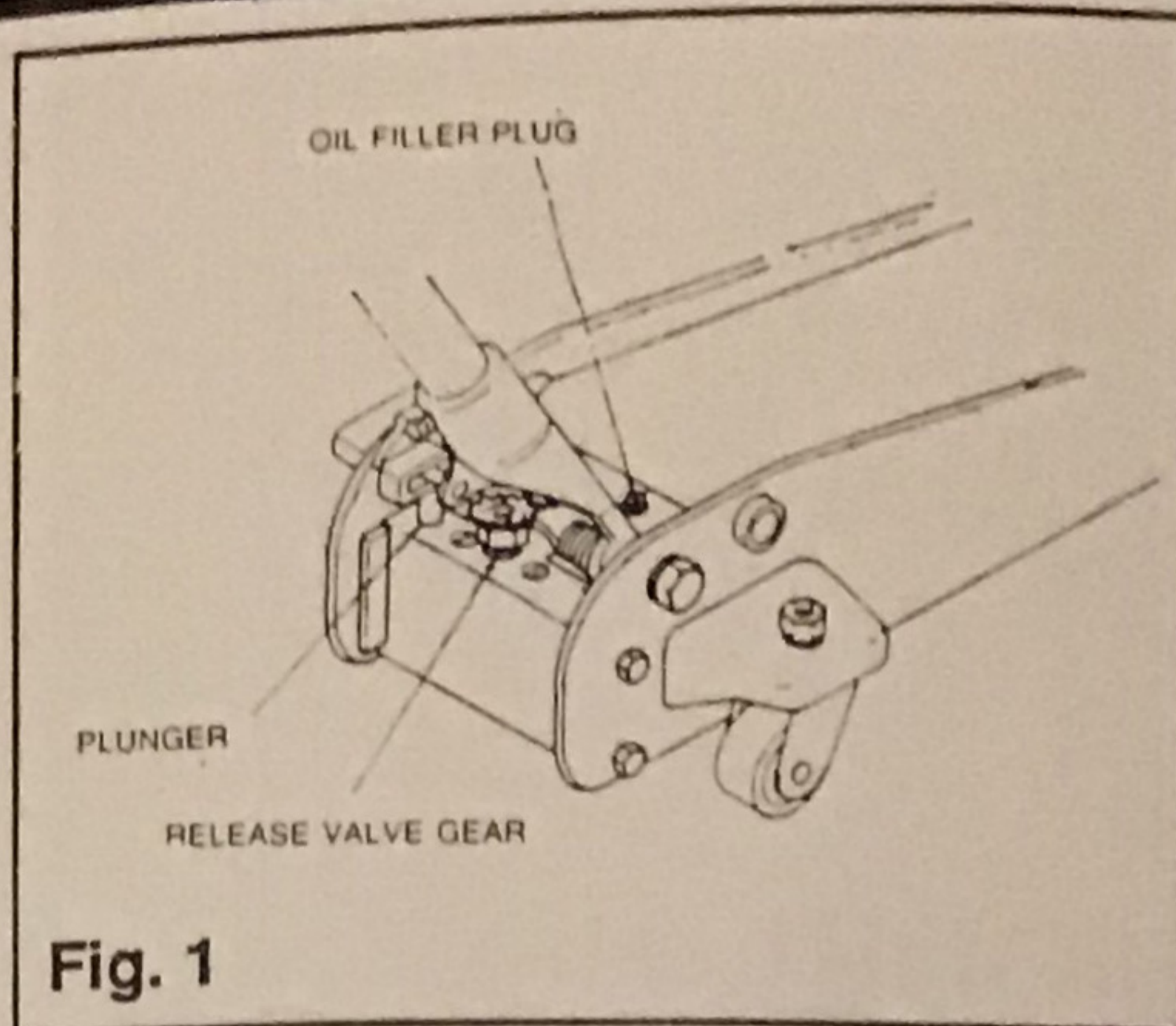


Fig. 1

Operation

Raising the Jack

- Close the release valve by turning the handle clockwise.
- Block the vehicles wheels for lifting stability.
- Refer to the vehicle manufacturer owners manual to locate approved lifting points on the vehicle. Position the jack so that the saddle is centered under the load at an appropriate lift point.
- Pump jack handle until saddle nears contact with the vehicle. Check to see that the saddle is centered and will contact the load lifting point firmly.
- Continue to pump the jack handle to lift the vehicle to the desired height. After lifting, support the load with appropriately rated vehicle support stands before working on the vehicle.

Lowering the Jack

- Open the release valve *very slowly* by turning the handle counter-clockwise.

With Release Valve Closed

- An upward stroke of the jack handle draws oil from the reservoir tank into the plunger cavity. Hydraulic pressure holds the valve closed, which keeps the oil in the plunger cavity.
- A downward stroke of the jack handle releases oil into the cylinder, which forces the ram out. This raises the saddle.
- When the ram reaches maximum extension, oil is bypassed back into the reservoir to prevent an over extended ram stroke and possible damage to the jack.
- Opening the release valve allows oil to flow back into the reservoir. This releases hydraulic pressure on the ram, which results in lowering the saddle.

SEARS

Owner's Manual

MODEL NO. 875.501151

**SEARS
SERVICE
is at
YOUR
SERVICE**

Service Jack Trouble Shooting Assistance

Problems

Jack will not lift load	Jack will not hold load	Jack will not lower	Poor jack lifting	Causes and Solutions
.				Release valve is not completely closed. Turn clockwise.
.			.	Air is in hydraulics. Release from system.
.	.		.	Low oil level. Add oil as required.
		.		Oil reservoir is overfilled. > Drain excess oil. > Lubricate moving parts.
.	.		.	Power unit malfunctioning. Replace the power unit.

Your Sears merchandise has added value when you consider that Sears has service units nationwide staffed with Sears trained technicians... professional technicians specifically trained on Sears products, having the parts, tools, and equipment to insure that we meet our pledge to you... we service what we sell.

Sold by SEARS, ROEBUCK AND CO., HOFFMAN ESTATES, IL 60179 U. S. A.

PRINTED IN CHINA

Maintenance

To Add Oil:

- Position the jack on level ground and lower the saddle. Remove the oil plug (See Fig. 1).
- Fill the oil case till it is level with the oil filler plug hole.

To Replace Oil:

- Release valve gear assembly and remove oil filler plug.
- Flip the jack over so that old oil will drain from the oil filler hole.
- Refill through oil filler hole. Keep dirt and other material clear when pouring.
- After refilling, open the release valve to remove any air in the hydraulic chamber. Pump the jack handle several times, then release.

Lubrication:

- Add lubricating oil to all moving parts when needed.

Rust Prevention:

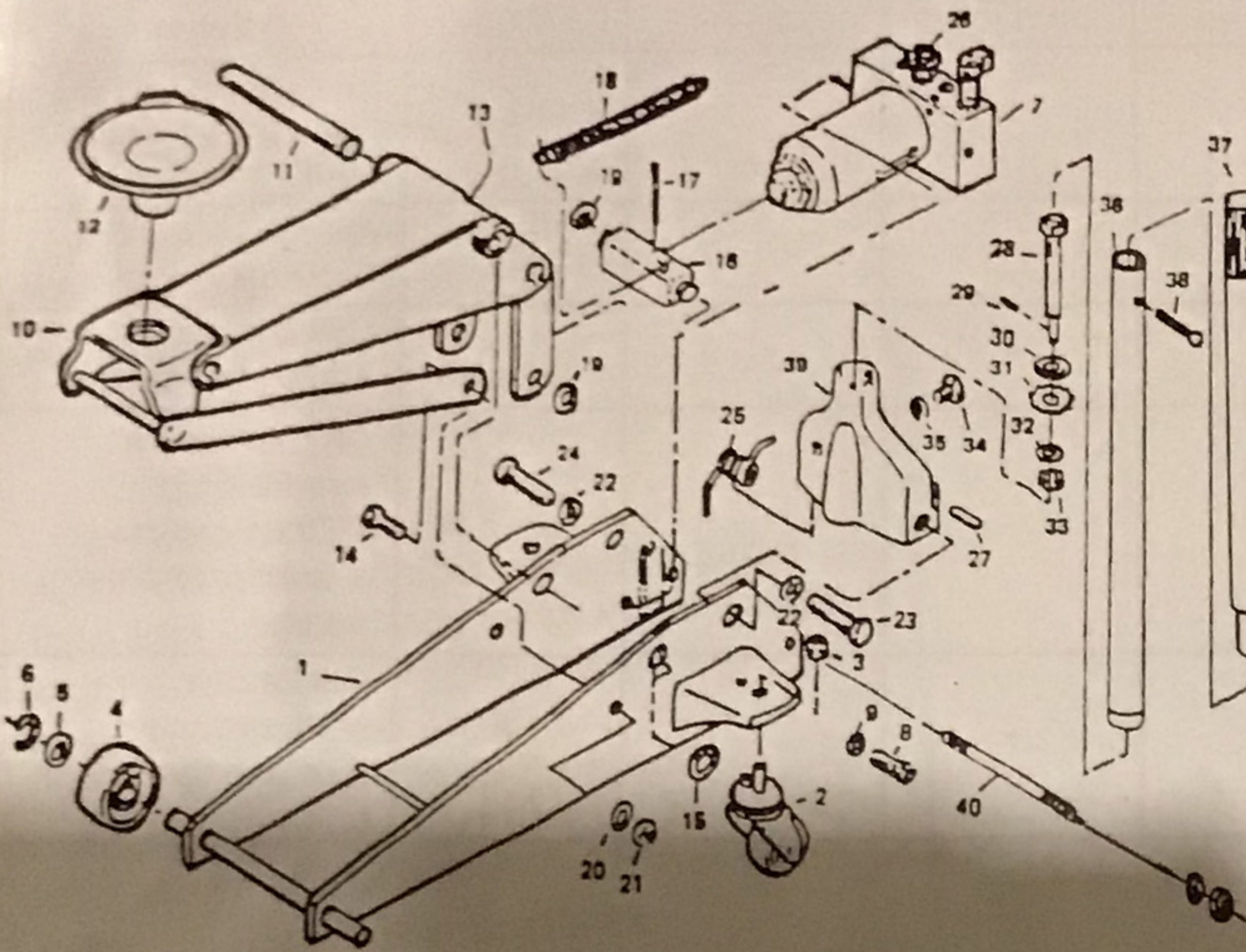
- Check ram and pump plunger every two months (or sooner, based on usage) for any signs of rust or corrosion. Clean as needed and wipe down with an oil cloth.
- When storing the jack, always have the saddle and pump plunger all the way in the down position.

ALWAYS USE A GOOD GRADE HYDRAULIC JACK OIL. DO NOT USE HYDRAULIC BRAKE FLUID, ALCOHOL, GLYCERINE, DETERGENT, MOTOR OIL OR DIRTY OIL. USE OF AN UNRECOMMENDED FLUID CAN CAUSE DAMAGE TO YOUR JACK.

Ordering Repair Parts:

When ordering repair parts, always have the following information:

- Repair part number.
- Description of part.
- Model number.
- Item description.



REF. NO.	QTY.	DESCRIPTION	REF. NO.	QTY.	DESCRIPTION
1	1	Side Plate Weld.	21	2	Hex Nut
2	2	Caster Assembly	22	2	Lockwasher
3	2	Locknut	23	1	Bolt
4	2	Wheel	24	1	Bolt
5	2	Washer (Axle)	25	1	Torsion Spring
6	2	Retaining Ring	26	1	Valve Gear
7	1	Power Unit Assm.	27	1	Plunger Pin
8	2	Socket Hd Cap Sc	28	1	Gear Shaft
9	2	Split Lockwasher	29	1	Cotter Pin
10	1	Lift Arm Assm	30	1	Washer
11	1	Shaft (Arm)	31	1	Gear
12	1	Saddle	32	1	Lockwasher
13	1	Grease Fitting	33	1	Hex Nut
14	2	Bolt	34	1	Handle Bolt
15	1	Retaining Ring	35	1	Spacer
16	1	Block (Ram)	36	1	Lower Handle
17	1	Cotter Pin	37	1	Upper Handle
18	1	Return Spring	38	1	Hex Head Screw
19	2	Retaining Spring	39	1	Handle Socket
20	2	Lockwasher	40	1	Axle

FULL ONE YEAR WARRANTY

If this Sears Service Jack fails to give complete satisfaction within one year from the date of purchase, RETURN IT TO THE NEAREST SEARS SERVICE CENTER/DEPARTMENT IN THE UNITED STATES, and Sears will repair it for you free of charge. If this service jack is used for commercial or rental purposes, this warranty applies for only 90 days from the date of purchase. This warranty gives you specific legal rights, and you may also have other rights which vary from state to state. SEARS, ROEBUCK AND CO., DEPT. 731CR - W, HOFFMAN ESTATES, IL 60179 U. S. A.