

Sears

owners manual

**SEARS
1½ TON
SERVICE JACK**

SERVICE JACK

745-4600
PARTS
CREEK RD.

MODEL NO.
727-12102

CAUTION
Read Rules for
Safe Operation
Carefully

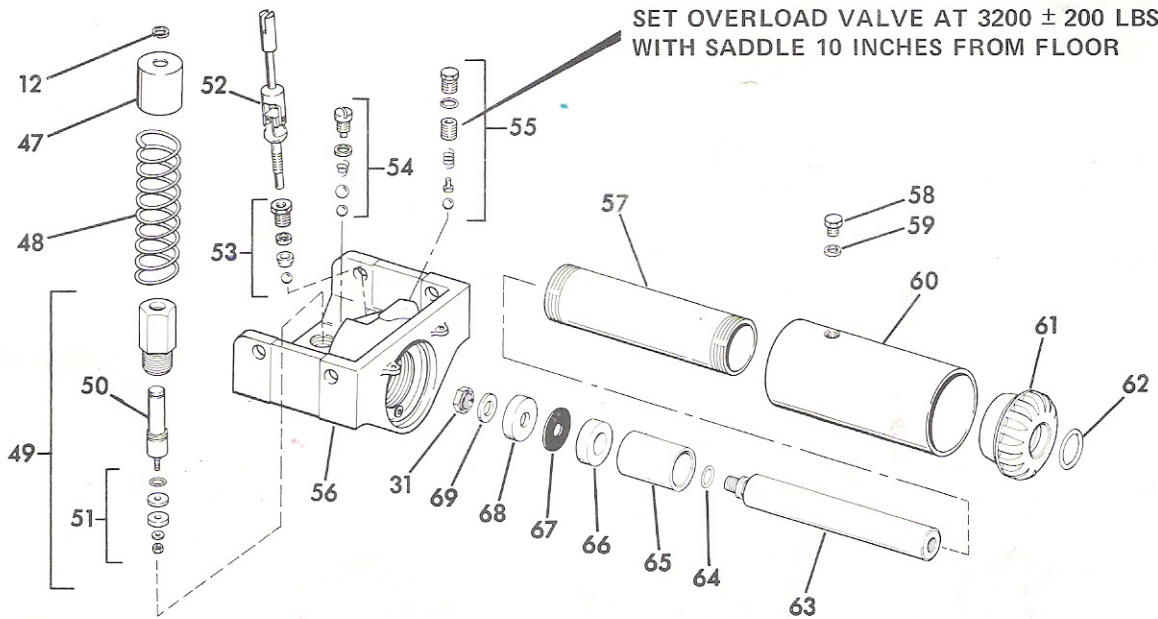
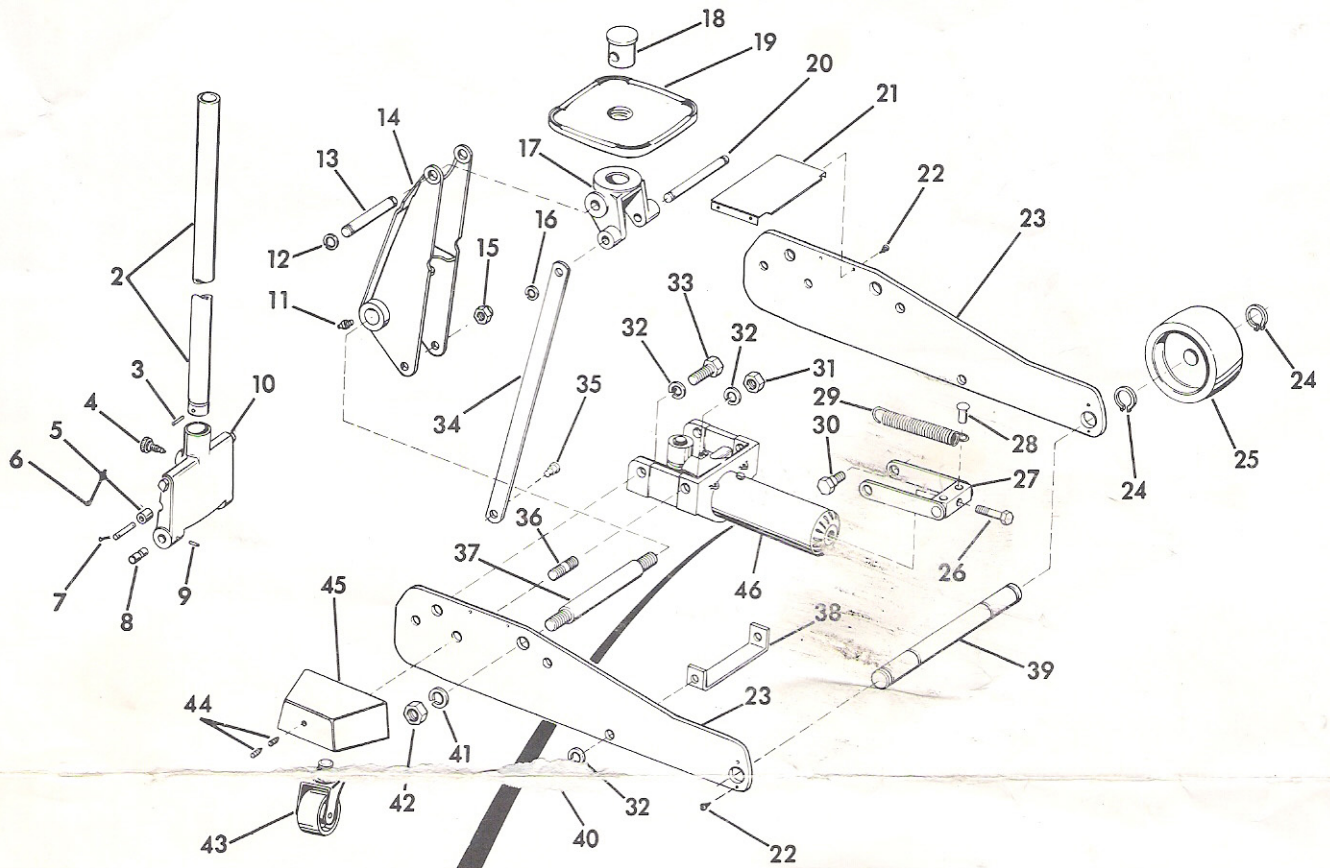
- Repair Parts
- Operating Instructions



SEARS, ROEBUCK AND CO. U.S.A.

repair parts

SEARS 1-1/2 TON SERVICE JACK MODEL NO. 727-12102



operating instructions

SEARS 1-1/2 TON SERVICE JACK MODEL NO. 727-12102

SERVICE JACK

Key No.	Part No.	Description	Key No.	Part No.	Description	Key No.	Part No.	Description
+1	106-1	Base Plug	27	A685.900	Linkage	*53	U30X-6	Release Kit
2	D686.900	Handle	28	A668.063	Rivet	*54	U30X-7	Valve Kit
3	A676.061	Pin	29	A669.184	Spring	*55	U30X-8	Overload Kit
4	A423.138	Lock	30	A681.242	Bolt	56	A655.005	Base
5	A679.232	Roller	31	EJ100.014	Nut	57	HJ100.004	Cylinder
6	A680.153	Roller Pin	32	K244.108	Washer	58	AJ100.060	Plug
7	S1.58	Cotter Pin	33	A674.247	Bolt	*59	AJ100.020	Gasket
8	A678.121	Handle Pin	34	A657.116	Bar	60	K909.025	Reservoir
9	R28.61	Grooved Pin	35	A686.064	Bolt	61	K1.020	Cap
10	A677.133	Yoke	36	A683.305	Stud	*62	K514.041	O-Ring
11	S4.188-2	Grease Fitting	37	A670.121	Shaft	63	J864.040	Plunger
12	W407.524	Ring	38	E150.111	Bracket	*64	J865.041	O-Ring
13	A665.112	Saddle Fulcrum Pin	39	A981.104	Axle	65	K10.186	Spacer
14	A682.103	Lift Arm	40	A866.247	Bolt	66	K3.071	Disc
15	J569.055	Nut	41	S1.119	Washer	*67	E494.108	Wiper
16	A664.523	Ring	42	S1.120	Bolt	*68	D385.041	Cup
17	K70.111	Saddle Bracket	43	A673.154	Caster	69	J349.108-1	Washer
18	A946.153	Retainer	44	A672.173	Screw	*70	SJ1X	Repair Kit
19	A943.045	Saddle	45	A671.189	Bracket	+71	N78026X	Decal Kit (Pak of 5)
20	A663.114	Pivot Pin	46	K143.900	Power Unit	+72	PS-628	Owners Manual
21	A793.098	Cover	47	A650.340	Pump Cap			
22	A751.087	Screw	48	A649.170	Spring			
23	K59.101	Plate	49	K142.900	Pump Assembly			
24	A434.523	Ring	50	A652.051-1	Piston			
25	A977.106	Wheel	*51	U30X-5	Pump Kit			
26	A797.242	Bolt	52	A988.900	Release Valve			

CAUTION: For your safety and to prevent injury.

This Jack is designed for lifting purposes only – NOT for supporting loads.

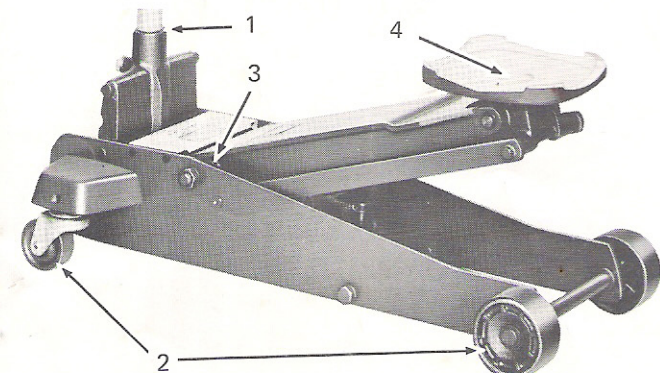
IMMEDIATELY after jacking, support vehicle (load) with Car/Truck Stands. DO NOT allow jack alone, to support vehicle (load).

DO NOT overload this jack beyond its rated capacity.

IMPORTANT

Become familiar with the various parts of your new Service Jack, and oil the following points **BEFORE FIRST USE!** Figures on jack illustration match figures below.

- HANDLE** – lubricate moving parts with light oil and grease handle where it enters yoke casting.
- WHEELS** – lubricate all wheel axles and swivel wheel bearings with light oil.
- LIFTING ARM** – lubricate at 2 grease fittings.
- SADDLE AND LINKAGE** – lubricate with light oil all moving and pivoting parts of saddle and linkages on underside of lifting arm.



HOW TO OPERATE YOUR NEW SERVICE JACK

1. TO RAISE LOAD – IMPORTANT

Before using Service Jack, open release valve by turning handle counterclockwise. Hold Open. Pump handle rapidly about 4 full strokes. This expels air that may have entered the oil channels. Then close release valve by rotating handle clockwise and pump handle until lifting arm, without load, is raised to full height. Open release valve and lifting arm will lower. Your Service Jack is now ready for operation.

2. TO LOWER LOAD

Turn handle slowly counterclockwise (left). Speed of lowering is controlled by how much you turn the handle. Become familiar with the speed with which the lifting arm lowers. To close release valve, rotate handle clockwise until tight. **Do not rotate handle more than two turns to release!**

3. TO ADD OIL

Open release valve until lifting arm is flat. Remove screws holding cover plate. Remove 7/16" hex filler plug in Power Unit. If oil is low, add hydraulic oil to just cover the jack cylinder seen through the filler hole in reservoir. If oil is dirty, thick or gummy, remove it and clean reservoir. Again, refill to level described above. Do not overfill because too much oil will cause faulty lifting due to lack of air space. **Never use brake fluid. It ruins seals.**

4. TO LUBRICATE

See illustration for location of oil and grease points. Frequently and thoroughly oil and grease all moving parts as designated for continued ease of operation and long Service Jack life.

Sears

owners manual

SEARS 1½ TON SERVICE JACK

MODEL NO. 727-12102

The Model and Serial Numbers are shown on the decal mounted on the lifting arm. Always include both these numbers when requesting service or repair parts.

SEARS SERVICE IS AT YOUR SERVICE WHEREVER YOU LIVE OR MOVE IN THE U.S.A.

Your Sears merchandise takes on added value when you discover that Sears has over 2,000 service units throughout the country. Each is staffed by Sears trained, professional technicians using Sears approved parts and methods.

HOW TO ORDER REPAIR PARTS

All parts listed herein may be ordered through SEARS, ROEBUCK AND CO. When ordering parts by mail, selling prices will be furnished on request or parts will be shipped at prevailing prices and you will be billed accordingly.

WHEN ORDERING REPAIR PARTS, ALWAYS GIVE THE FOLLOWING INFORMATION AS SHOWN IN THIS LIST:

- | | |
|----------------------------------|--------------------------------------|
| 1. The PART NUMBER | 3. The PART DESCRIPTION |
| 2. The MODEL NUMBER
727-12102 | 4. The NAME of ITEM—
Service Jack |

SEARS, ROEBUCK AND CO. U.S.A.