

Operators Manual

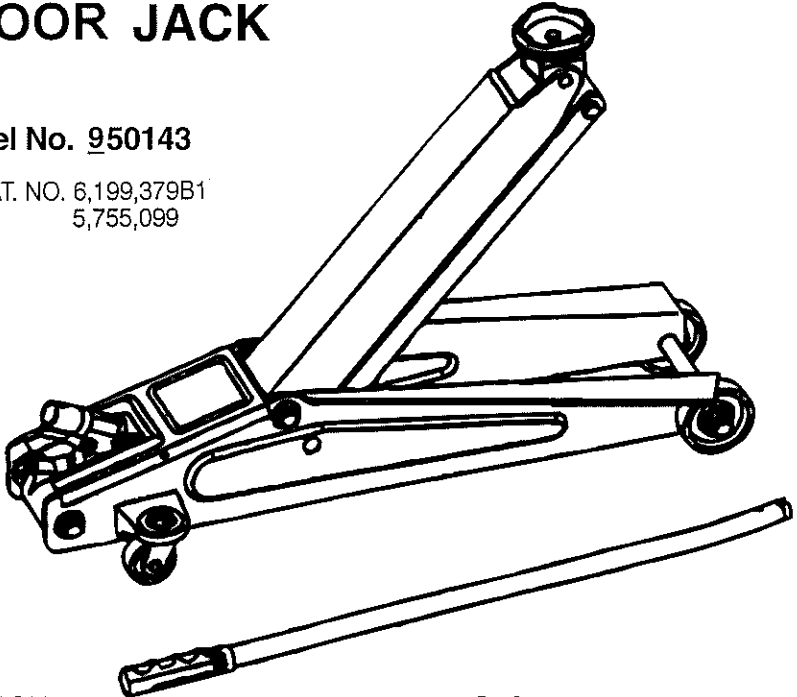
**CRAFTSMAN®**

**P R O F E S S I O N A L**

## 3 TON CAPACITY FLOOR JACK

Model No. 950143

US PAT. NO. 6,199,379B1  
5,755,099



**CAUTION:**  
Before using this product, read this manual and follow all its Safety Rules and Operating instructions.

- Safety
- Assembly
- Maintenance
- Parts

***Complies with ANSI standards for automotive lifting devices***

Sears, Roebuck and Co., Hoffman Estates, IL 60179  
Visit our Craftsman website: [www.sears.com/craftsman](http://www.sears.com/craftsman)

Part No. 6336

Printed in China

## TABLE OF CONTENTS

Warranty	.....P. 2
Safety instructions	.....P. 2
Operation	.....P. 3 & P. 4
Maintenance	.....P. 4 & P. 5
Troubleshooting	.....P. 6
Attachments	.....P. 6
Back cover	.....P. 7

## WARRANTY

### Full One Year Warranty on Craftsman Floor Jack

Within one year from date of purchase, this Craftsman floor jack fails due to a defect in material or workmanship, return it to the nearest Sears store in the United States and Sears will replace it, free of charge.

If this floor jack is used for commercial or rental purposes, this warranty will apply for only 30 days from date of purchase.

This warranty gives you specific legal rights, and you may also have other rights which vary from state to state.

Sears, Roebuck and Co., Dept. 817WA, Hoffman Estates, IL 60179

## SAFETY INSTRUCTIONS

### WARNING

Study, understand, and follow all instructions before operating this device.

Do not exceed rated capacity.

Use only on hard, level surfaces.

Lift only on areas of the vehicle as specified by the vehicle manufacturer.

This is a lifting device only. Immediately after lifting, support the vehicle with appropriate means.

Do not move or dolly the vehicle while on the jack.

No alterations shall be made to this product.

Failure to heed product markings or warnings in user's manual may result in personal injury or property damage.

### CAUTION BEFORE USING

Occasionally during shipment and / or handling the hydraulic oil can become unstable or air can get trapped in the system, both of which can interfere with the jacks lifting performance ...

To stabilize the oil it is recommended to cycle the jack a few times prior to putting a load on it.

To release air from the hydraulic system:

Open the release valve by turning the jack handle (see Fig. 1) counter-clockwise.

Remove the oil filler plug from the cylinder.

Rapidly pump jack handle through several full strokes.

Replace the oil filler plug into the cylinder again and jack is now ready to use.

### BEFORE EACH USE

Make a visual inspection before each use of the floor jack by checking for abnormal conditions, such as cracked welds, leaks and damaged, loose, or missing parts.

### DAMAGE TO JACK

If you think jack has been subjected to an abnormal load or shock, have it inspected for damage at a Sears Service Center before using it again.

# OPERATION

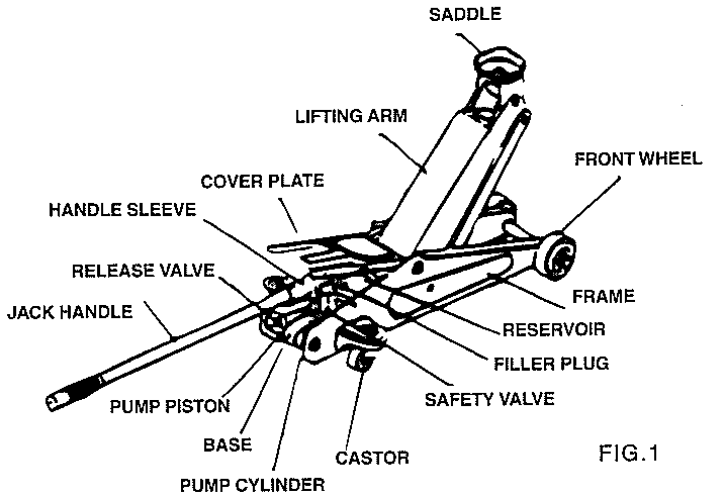


FIG. 1

## KNOW YOUR JACK

Compare these illustrations with your jack BEFORE operation to become familiar with the location of various jack components.

## OPERATING PRINCIPLES

- With release valve closed, an upward stroke of the jack handle draws oil from the reservoir tank into the plunger cavity. Hydraulic pressure holds the valve closed, which keeps the oil in the plunger cavity.
- A downward stroke of the jack handle releases oil into the cylinder, which forces the ram out. This raises the saddle. (NOTE: if the load exceeds the rated capacity, oil is automatically released back into the reservoir through the safety overload valve.)
- When the ram reaches maximum extension, oil is bypassed back into the reservoir to prevent an over-extended ram stroke and possible damage to the jack.
- Opening the release valve allows oil to flow back into the reservoir. This releases hydraulic pressure on the ram, which results in lowering the saddle.

## HOW TO USE YOUR JACK RAISING THE JACK

- With notched end of the jack handle (See Fig. 1) close release valve by turning the handle clockwise.
- Chock the vehicle's wheel with appropriate devices to ensure lifting stability.
- Refer to the vehicle manufacturer's owners manual to locate approved lifting points on the vehicle. Position jack so that the saddle (see Fig. 1) is centered under the load at an appropriate lift point.
- Pump jack handle until saddle almost contacts the vehicle. Check to see that the saddle is centered and will contact the load lifting point firmly.
- Continue to pump the jack handle to lift the vehicle to the desired height. After lifting, support the load with appropriately rated vehicle support stands BEFORE working on the vehicle.

## LOWERING THE JACK

- With notched end of jack handle, SLOWLY open the release valve by turning the handle counterclockwise.

**CAUTION:** Keep hands and feet clear of the jack hinge mechanism and ground contact area when lowering the load!

## PECIFICATIONS

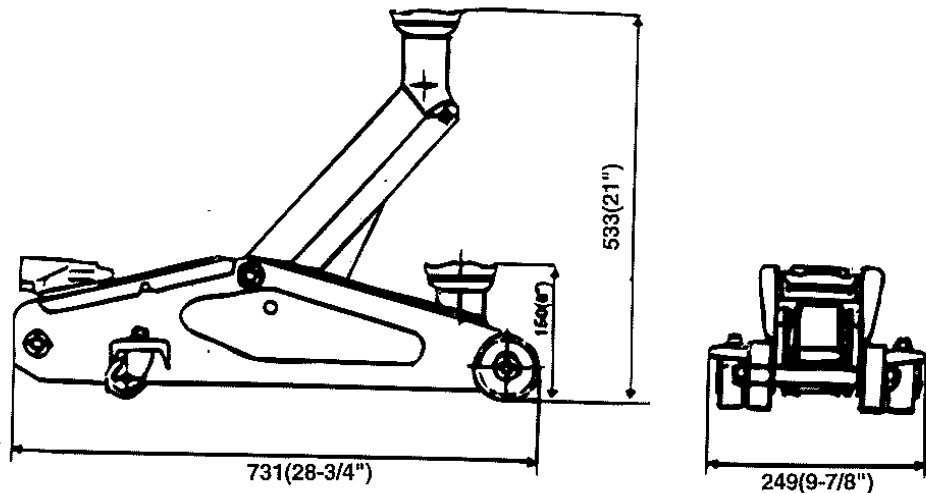
ated Capacity: 3 Ton/6000 LB

ick Dimensions: 28-3/4 in. x 9-7/8 in. x 6-1/4 in.

ifting Range: 6 in. ~ 21 in. (Approx.)

l Capacity: 140 cc

et Weight: 54 lbs. (Approx.)



## MAINTENANCE

### MAINTAINING OIL LEVEL

Important : When adding or replacing oil, ALWAYS use a good grade hydraulic Jack oil. DO NOT use hydraulic Brake Fluid, Alcohol, glycerine, Detergent, Motor Oil or kerosene oil. Use of an improper fluid can cause serious internal damage to your jack.

### CHANGING OIL

Position the jack on level ground and fully lower the saddle. Remove oil filler plug (see Fig. 2)

Oil should be filled to the level of about 6mm lower the oil filler hole. If low, add oil as needed.

### REPLACING OIL

- To drain oil, remove oil filler plug and open release valve. Turn jack over and drain old oil out through the oil filler hole.
- Refill with new oil through the oil filler hole. DO NOT allow dirt or other foreign material to enter the hydraulic system when filling.
- After refilling, remove any air from the hydraulic system by opening the release valve and rapidly pumping the jack handle several times.
- Put on the oil filler plug and the jack is ready to be used.

## LUBRICATION

- Add lubricating oil to all moving parts as needed.

## PREVENTING RUST

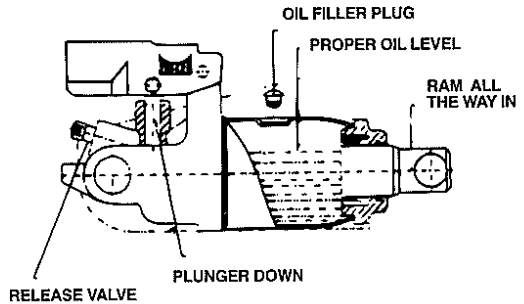
- Check ram and pump plunger (see Fig. 2) every few months for any signs of rust or corrosion. Clean as needed by wiping with an oily cloth.
- When not in use, ALWAYS store jack with saddle and pump plunger lowered all the way down.

## ANNUAL INSPECTION

To ensure that it is in optimum condition, annual inspection of the jack at a Sears Service Center is recommended.

## KNOW YOUR JACK

Compare these illustrations with your jack before operation and/or oil level maintenance to become familiar with the location of jack components.



# TROUBLESHOOTING

## PROBLEM-SOLVING HINTS

POSSIBLE JACK PROBLEMS						POSSIBLE CAUSES AND SOLUTIONS (Refer to Operation and Maintenance procedures for detailed information)
Jack will not lift load	Jack will lift load, but will not hold	Jack will not lower completely	Poor jack lifting. Pump feels spongy	Jack will not lift to full height	Handle raises by itself when jack is under load	
X						Release valve not tightly closed. To close or tighten, turn release valve clockwise.
X			X	X	X	Air is in hydraulic system. Release air from system.
X	X		X	X		Oil level is low in jack. Add oil as required.
		X				1. Oil reservoir is over-filled. Drain out some oil. 2. Lubrication of moving parts is necessary.
X	X		X			Power unit is malfunctioning. Replace the power unit.

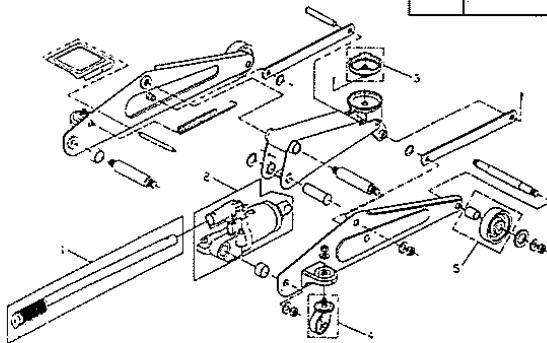
## PARTS

### MODEL NUMBER: 50143

The Model Number and Serial Number are found on the lifting arm and handle sleeve respectively. Always mention the Model Number and Serial Number when requesting service or repair parts for your Jack.

**PARTS ARE ONLY AVAILABLE IN ASSEMBLIES (except Saddle)**

Key	Parts No.	Description
1	6331	Jack handle
2	6332	Power unit assembly
3	6333	Saddle
4	6334	Rear wheel assembly
5	6335	Front wheel assembly
6	6336	Owners manual



# Get it fixed, at your home or ours!

For repair of major brand appliances **in your own home...**  
no matter who made it, no matter who sold it!

**1-800-4-MY-HOME®** Anytime, day or night  
(1-800-469-4663) (U.S.A. and Canada)

[www.sears.com](http://www.sears.com)

[www.sears.ca](http://www.sears.ca)

For repair of carry-in products like vacuums, lawn equipment,  
and electronics, call for the location of your nearest  
**Sears Parts and Repair Center.**

**1-800-488-1222** Anytime, day or night (U.S.A. only)

[www.sears.com](http://www.sears.com)

For the replacement parts, accessories and owner's manuals  
that you need to do-it-yourself, call **Sears Parts Direct<sup>SM</sup>!**

**1-800-366-PART** 6 a.m. – 11 p.m. CST, 7 days a week  
(1-800-366-7278) (U.S.A. only)

[www.sears.com/partsdirect](http://www.sears.com/partsdirect)

To purchase or inquire about a Sears Service Agreement  
or Sears Maintenance Agreement:

**1-800-827-6655** (U.S.A.)

7 a.m. – 5 p.m. CST, Mon. – Sat.

**1-800-361-6665** (Canada)

9 a.m. – 8 p.m. EST, M – F, 4 p.m. Sat.

Para pedir servicio de reparación a  
domicilio, y para ordenar piezas:

**1-888-SU-HOGAR<sup>SM</sup>**  
(1-888-784-6427)

Au Canada pour service en français:

**1-800-LE-FOYER<sup>MC</sup>**  
(1-800-533-6937)  
[www.sears.ca](http://www.sears.ca)



® Registered Trademark / ™ Trademark / <sup>SM</sup> Service Mark of Sears, Roebuck and Co.

© Marca Registrada / ™ Marca de Fábrica / <sup>SM</sup> Marca de Servicio de Sears, Roebuck and Co.

<sup>MC</sup> Marque de commerce / <sup>MD</sup> Marque déposée de Sears, Roebuck and Co.

© Sears, Roebuck and Co.