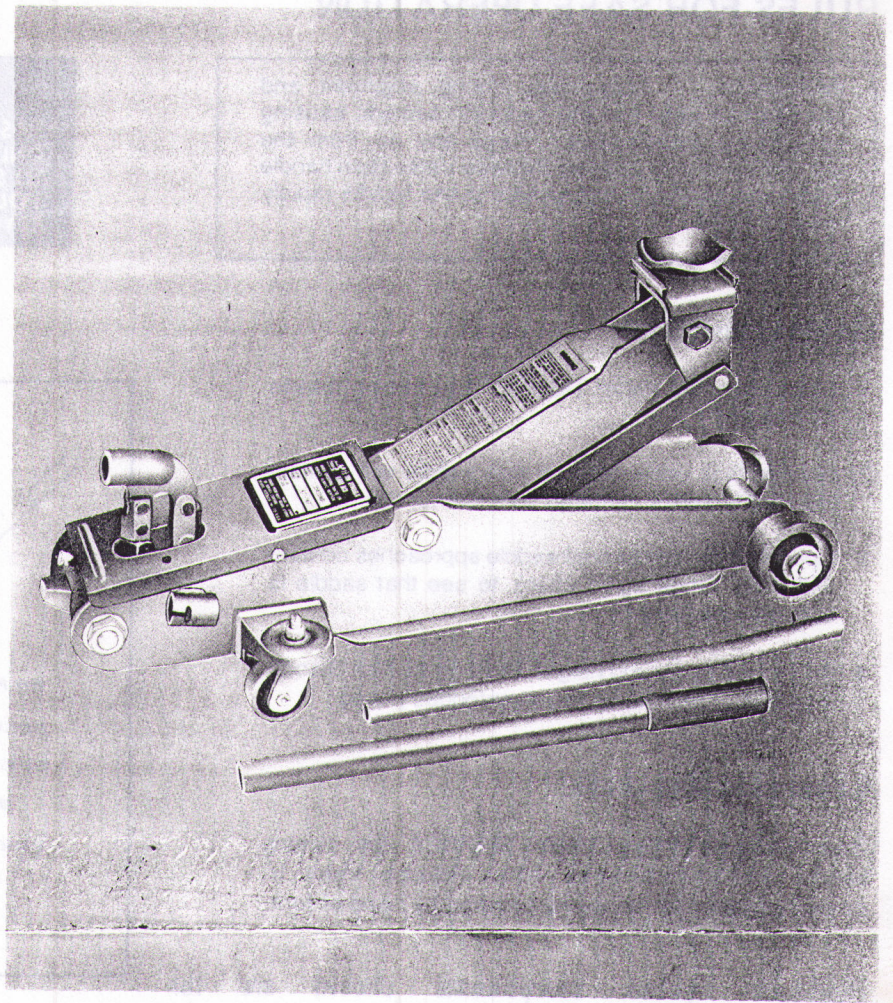


Sears
OWNERS
MANUAL

MODEL NO.
214. 124601



SEARS
1 1/2 TON CAPACITY
FLOOR JACK

CAUTION:
READ RULES FOR
SAFE OPERATION
and INSTRUCTIONS
CAREFULLY

124611

Sears, Roebuck and Co., Chicago, IL. 60684 U.S.A.

RULES FOR SAFE OPERATION

IMPORTANT: Sometimes during shipment and handling, air gets into the hydraulic system, causing poor lifting performance. Purge any air from the system by simply opening Release Valve (turn handle counter-clockwise) and operate pump handle rapidly several times.

CAUTION
THIS JACK IS DESIGNED FOR JACKING PURPOSES ONLY. AFTER JACKING, ALWAYS USE SAFETY STANDS TO SUPPORT LOAD BEFORE MAKING REPAIRS. FOR YOUR SAFETY—DO NOT OVERLOAD THIS JACK BEYOND ITS RATED CAPACITY.

Raising the Jack

1. Close Release Valve TIGHTLY (by turning handle clockwise)
2. Position jack under load so that saddle will contact load firmly and is centered so it cannot slip.
3. Operate jack handle until saddle approaches contact with load. Once again check to see that saddle is correctly positioned.
4. Raise load to desired height. Transfer to Jack Stands if load is to be held up for an extended period.

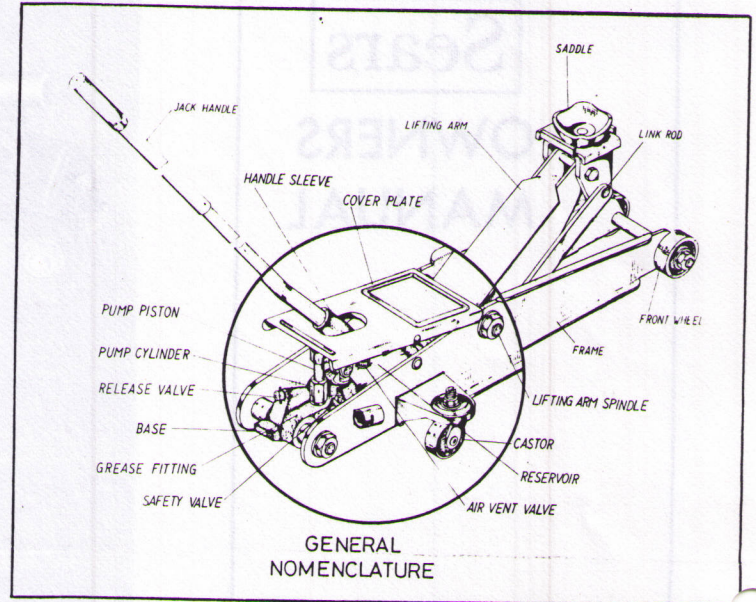
Lowering the Jack

Open Release Valve VERY SLOWLY (by turning handle counter-clockwise). When Release Valve is opened, saddle can be easily lowered by hand or foot.

Hydraulic system components shown are for explanation of the Operating Principles.

These are not orderable parts.

- | | |
|---------------------------|-----------------------------|
| Ⓐ HANDLE SLEEVE | Ⓛ CYLINDER |
| Ⓑ PUMP CYLINDER | Ⓜ BY-PASS BORE |
| Ⓒ RELEASE VALVE | Ⓝ PISTON ROD |
| Ⓛ SUCTON VALVE STEEL BALL | Ⓛ PUMP PISTON |
| ⓔ "O"-RING | Ⓜ DELIVERY VALVE STEEL BALL |
| ⓕ BACK-UP RING | Ⓝ SAFETY VALVE |
| Ⓒ RESERVOIR | Ⓛ SAFETY VALVE STEEL BALL |
| Ⓜ AIR VENT VALVE | Ⓟ RELEASE VALVE STEEL BALL |

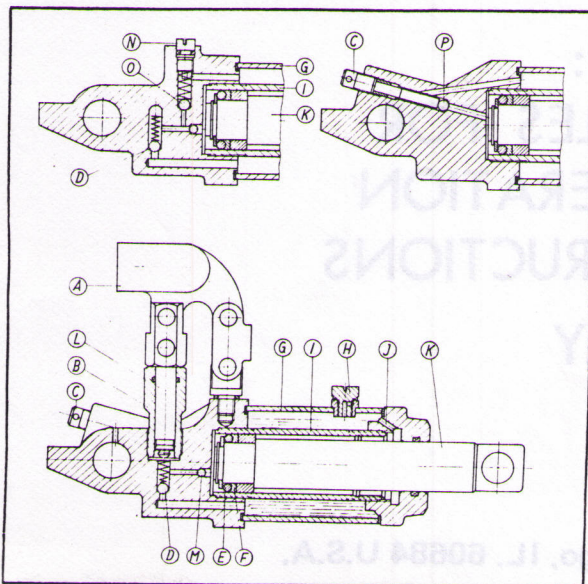


Operating Principles

With Release Valve Ⓒ TIGHTLY CLOSED:

1. Upward stroke draws oil from Reservoir Ⓒ thru Suction Valve Steel Ball Ⓛ into Pump Cylinder Ⓑ Hydraulic pressure keeps Delivery Valve Steel Ball Ⓜ closed, keeping oil in Pump Cylinder.
 2. Downward stroke of Pump Piston Ⓛ forces oil into Cylinder Ⓛ thru Delivery Valve Steel Ball Ⓜ Piston Rod Ⓝ is forced out, raising saddle.
- If load exceeds rated capacity, oil is automatically released back into Reservoir thru Safety Valve Steel Ball Ⓛ.
3. When Piston Rod reaches maximum stroke, oil is by-passed back into Reservoir thru By-Pass Bore Ⓜ thus preventing over-extended Piston Rod stroke.

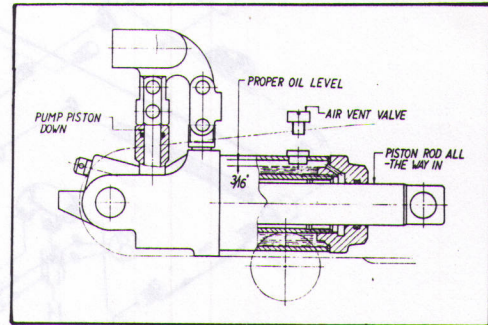
When Release Valve is opened, oil is allowed to flow back into Reservoir thru Release Valve Steel Ball Ⓟ releasing hydraulic pressure on Piston Rod and permitting saddle to be lowered.



MAINTENANCE PROCEDURES

Maintaining Oil Level

IMPORTANT: When adding or replacing oil, always use a good grade, Hydraulic Jack Oil (or transmission oil, turbine oil, etc.). Avoid mixing types of oil. **DO NOT** use Brake Fluid, Alcohol, Glycerine, detergent motor oil, or dirty oil. Improper fluid can cause serious internal damage to Jack.



Adding Oil: With Saddle fully lowered & jack on level ground. Remove cover plate then remove Air Vent Valve. Oil level should be approx. 3/16" below valve hole. If low, add oil as needed. Replace cover plate.

Replacing Oil: for better performance & long life, replace oil supply once a year. To drain oil, remove cover plate, remove Air Vent Valve & Release Valve. **BE VERY CAREFUL** not to permit dirt or foreign matter to get into the system.

Lubrication

Add lubrication oil to Grease Fitting both on Base and Lifting Arm Spindle every 3 months.

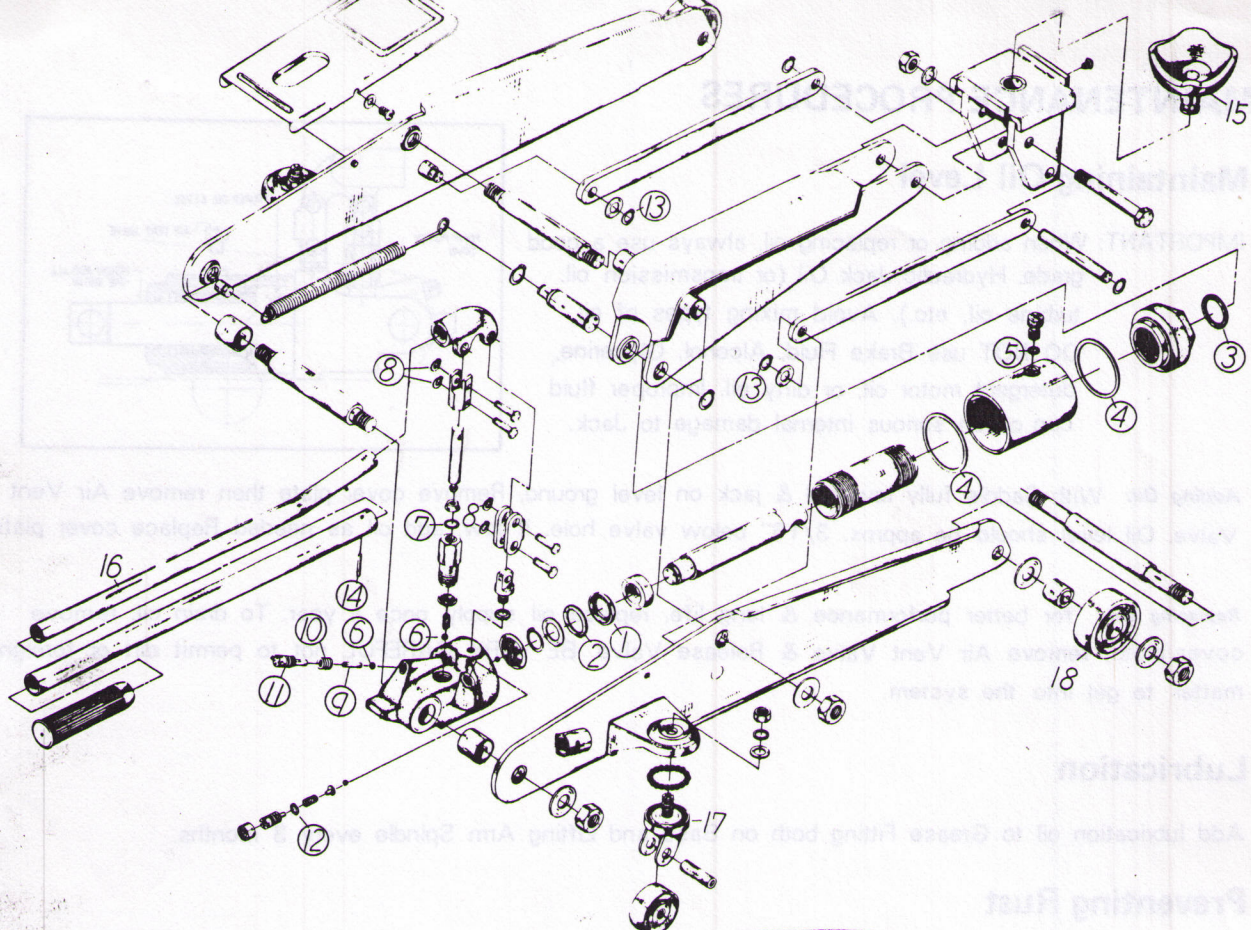
Preventing Rust

Check Piston Rod & Pump Piston every 3 months for any signs of rust or corrosion. Clean as needed and Wipe with an oily cloth.

When not using the jack, always leave the Saddle & Pump Piston all the way down.

TROUBLE SHOOTING (USING JACK WITHIN RATED LOAD CAPACITY)

TROUBLE	POSSIBLE CAUSE	REMEDY
Will not lift load at all	1) No Oil in or not enough oil system 2) Release Valve not closed 3) Defective Packings ("O" -ring)	1) Fill to prescribed level 2) Turn handle clockwise tightly 3) Replace Packings
Will lift load only part way	4) Oil level low	4) Fill to prescribed level
Will lift load, but will not hold	5) Release Valve not closed tightly 6) Cylinder Packing worn out or defective	5) Turn handle clockwise tightly 6) Replace Packings
Jack will not lower	7) Release Valve stuck-probably dirt or foreign matter 8) Air in Hydraulic System	7) Transfer load & clean Release Valve 8) Remove Air Vent Valve to purge Air from Hydraulic System
Poor lifting	9) Defective Pump Packings and/or Valves malfunctioning 10) Dirty Oil 11) Air in Hydraulic System	9) Clean Valves, replace packings 10) Change Hydraulic Oil 11) Purge Air from system



The key numbers circled are available only as a complete kit under Part# 124614. They cannot be ordered individually. The description and quantity of the components that make up this kit are shown below. The key numbers not circled identify the only components available as individual parts.

The following components make up kit #124614

Key No.	Description	Q'ty
1	Back-up ring	1
2	"O"-ring, piston rod	1
3	"O"-ring, cap	1
4	Gasket	2
5	"O"-ring, air vent valve	1
6	Steel ball	2
7	"O"-ring, Pump cylinder	1
8	Snap-ring "C"	4
9	Distance Pin	1
10	Oil seal	1
11	Release valve	1

Key No.	Description	Q'ty
12	"O"-ring, safety valve	1
13	Snap-ring "C"	2
14	Assembly pin	1

The following items are available as separate parts

KEY NO.	PART NO.	DESCRIPTION
15	124612	Saddle
16	124613	Handle
17	124604	Rear Wheel Assembly
18	124609	Front Caster Assembly
	124611	Owner's Manual

Model Number 214. 124601

The Model Number and Serial Number will be found on the Frame Assembly. Always mention the Model Number and Serial Number when requesting service or repair parts for your Jack.

How to Order Repair Parts

All parts may be ordered from any Sears Service Center and most Sears Stores.

If the parts you need are not stocked, locally, your order will be electronically transmitted to a Sears Repair Parts Distributions Center for handling.

WHEN ORDERING REPAIR PARTS, ALWAYS GIVE THE FOLLOWING INFORMATION:

- | | |
|-----------------|---------------------------|
| 1. PART NUMBER | 3. PART DESCRIPTION |
| 2. MODEL NUMBER | 4. NAME OF ITEM |
| 214124601 | 1½ Ton Floor Service Jack |