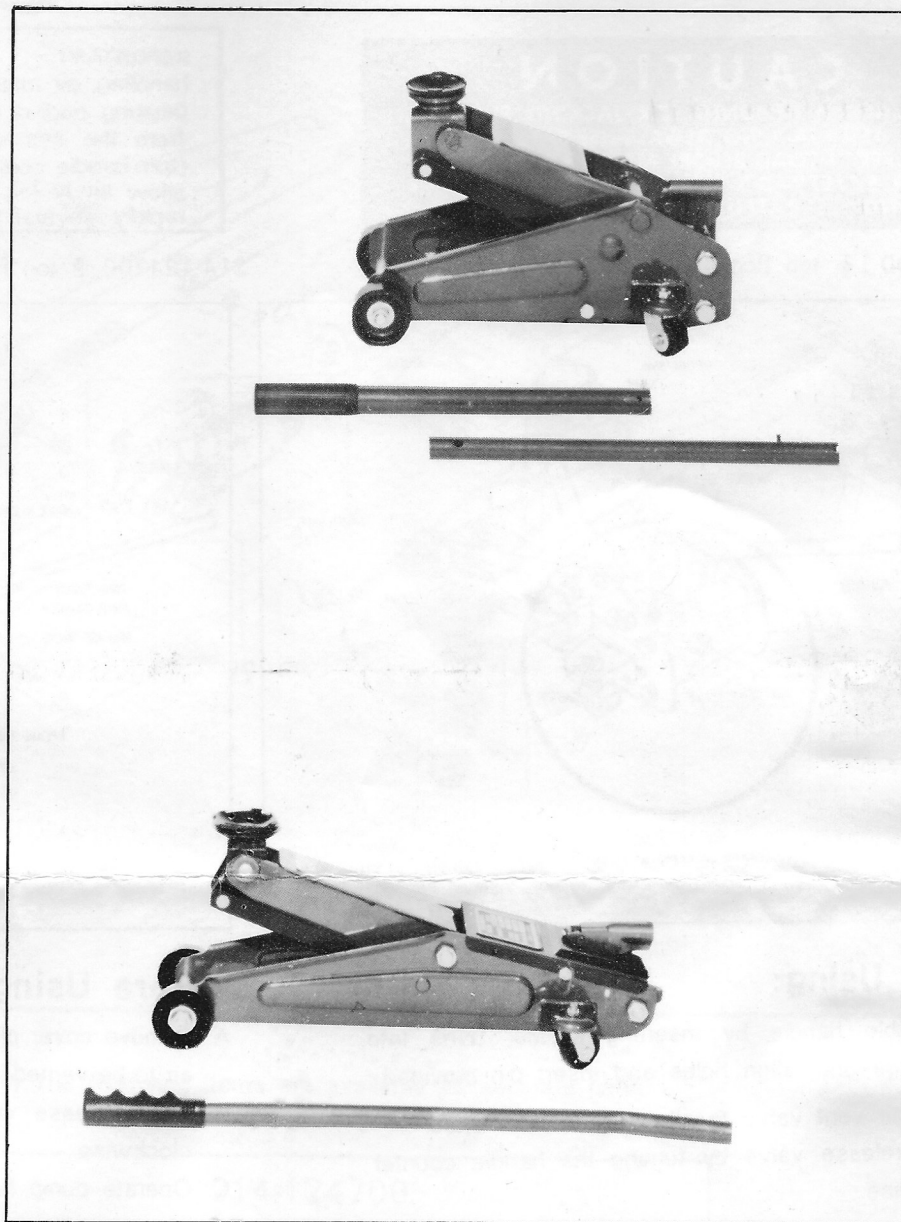


Sears

**owner's  
manual**

MODEL NUMBER  
214-124500-1  $\frac{1}{2}$  TON  
214-124700-2 TON

Save This Manual For  
Future Reference.



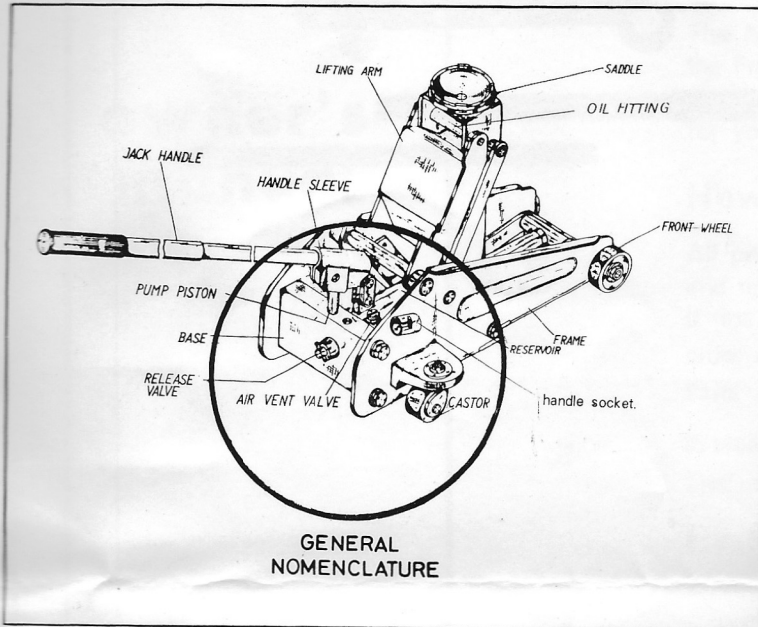
# Operation Rules for Safety

## RULES FOR SAFE OPERATION

### CAUTION

THIS JACK IS DESIGNED FOR JACKING PURPOSES ONLY. AFTER JACKING, ALWAYS USE SAFETY STANDS TO SUPPORT LOAD BEFORE MAKING REPAIRS. FOR YOUR SAFETY—DO NOT OVERLOAD THIS JACK BEYOND ITS RATED CAPACITY.

214-124500 1½ ton floor jack.



### Before Using:

- Assemble handle by inserting smaller parts into the large one, align holes and insert pin provided.
- Open air vent valve to allow air to be vented.
- Open release valve by turning the handle counter clockwise.
- Operate pump handle rapidly several times
- Close air vent valve.

### Moving the Jack

Place handle in handle socket.

— DO NOT move the jack when handle is in the operating lever or release valve as this may cause damage to the pumping unit of the jack.

### Raising the Jack

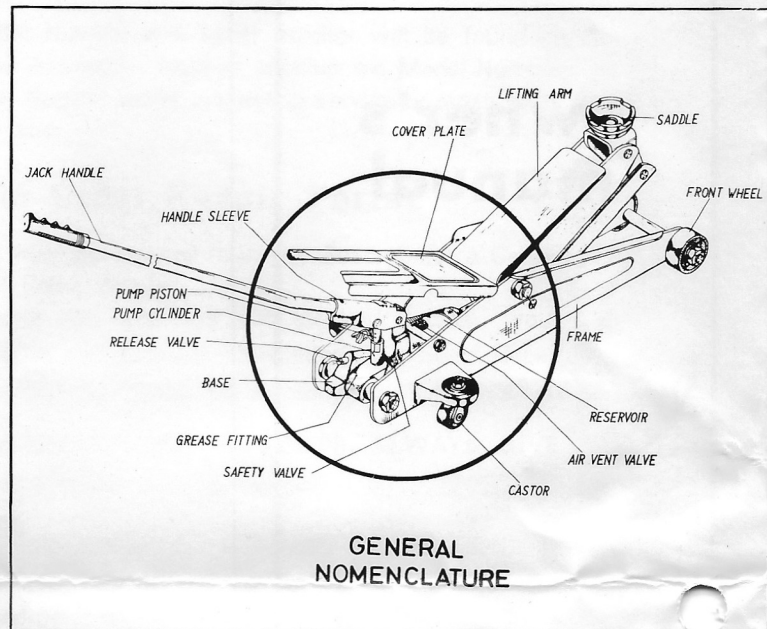
- Place car in park apply emergency brake and block wheels
- Close Release Valve TIGHTLY (by turning handle clockwise)
- Position jack under load so that saddle will contact load firmly and is centered so it cannot slip.
- Operate jack handle until saddle approaches contact with load. Once again check to see that the saddle is correctly positioned
- Raise load to desired height. Transfer the load to Jack Stands.

### Lowering the Jack

Open Release Valve VERY SLOWLY (by turning handle counter-clockwise). When Release Valve is opened, saddle can be easily lowered by hand or foot

**IMPORTANT:** Sometimes during shipment and handling, air may get trapped in the hydraulic system, causing poor or no lifting performance. Purge any air from the system by simply opening Release Valve (turn handle counter-clockwise) and air vent valve to allow air to be vented and operate pump handle rapidly several times.

214-124700 2 ton floor jack.



### Before Using:

- Remove cover plate and open air vent valve to allow air to be vented.
- Open release valve by turning the handle counter clockwise.
- Operate pump handle rapidly several times.
- Close air vent valve, then replace cover

### Moving the Jack

Place handle in Handle Sleeve.

# MAINTENANCE PROCEDURES

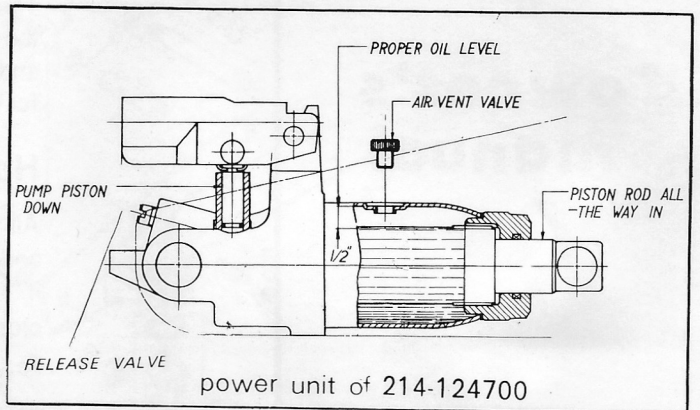
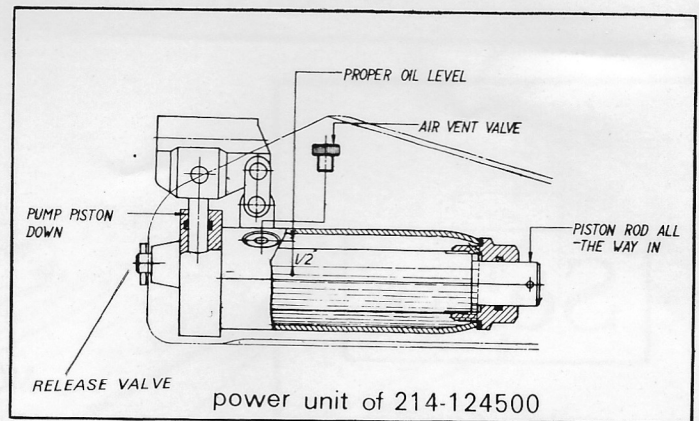
## Maintaining Oil Level

### IMPORTANT:

When adding or replacing oil, always use a good grade, Hydraulic Jack Oil (or transmission oil, turbine oil, etc.) Avoid mixing types of oil. DO NOT use Brake Fluid, Alcohol, Glycerine, detergent motor oil, or dirty oil. Improper fluid can cause serious internal damage to Jack.

**Adding Oil:** With Saddle fully lowered & jack on level ground. (124500 has no cover plate). remove cover plate then remove Air Vent Valve. Oil level should be approximately 1/2" below valve hole. If low Add oil as needed. then close air vent valve and replace cover plate.

**Replacing Oil:** For better performance & long life, replace oil supply once a year. To drain oil, remove cover plate, remove Air Vent Valve & Release Valve. BE VERY CAREFUL not to permit dirt or foreign matter to get into the system Replace release valve and air vent valve then replace cover plate.



## Lubrication

Add a good quality grease to grease Fitting of 124700 by opening base, and lubricate the Lifting Arm Spindle of 124500 with oil every 3 months.

## Preventing Rust

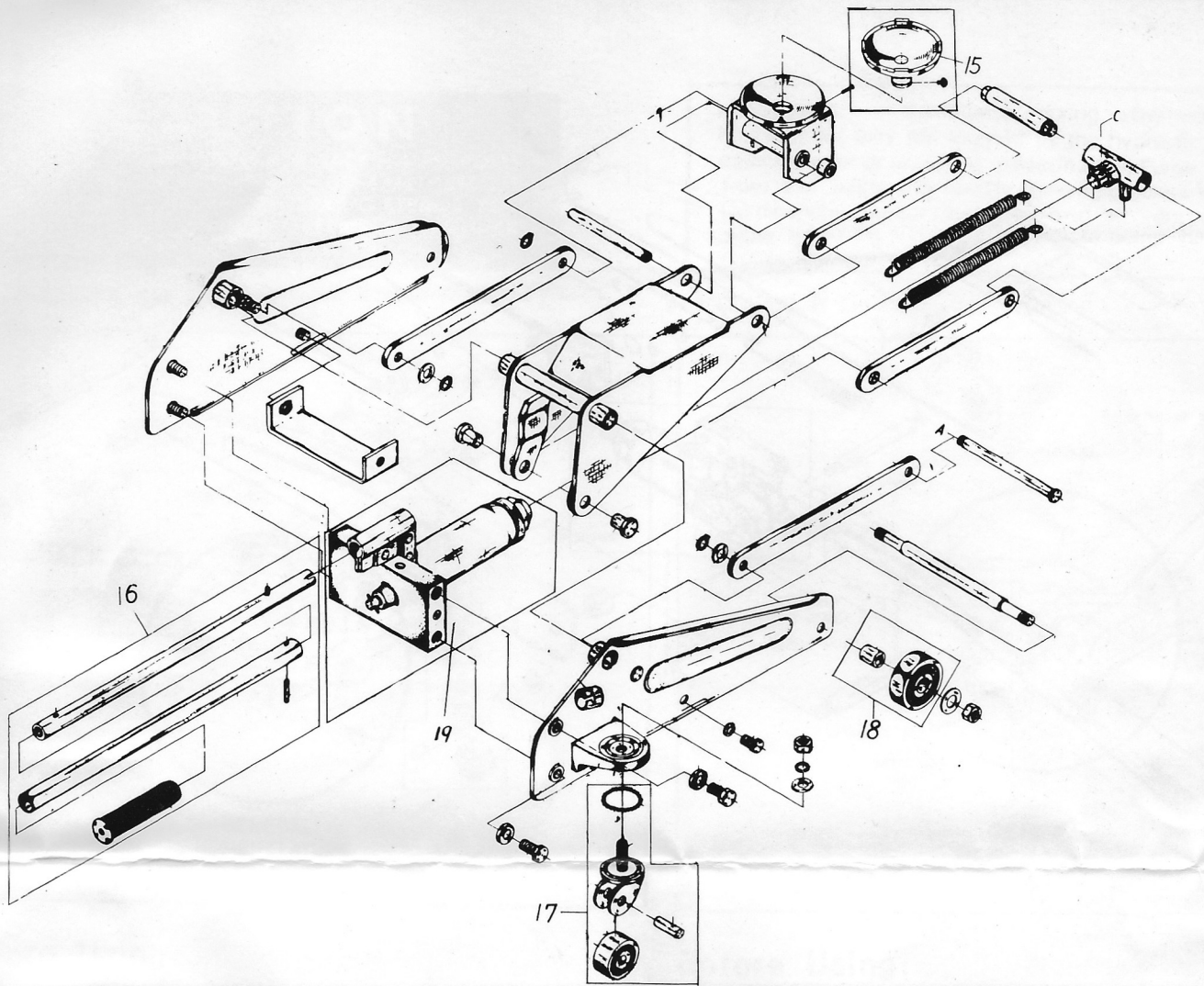
Check Piston Rod & Pump Piston every 3 months for any signs of rust or corrosion. Clean as needed and wipe with an oily cloth.

When not using the jack, always leave the Saddle & Pump Piston all the way down.

## TROUBLE SHOOTING (USING JACK WITHIN RATED LOAD CAPACITY)

TROUBLE	POSSIBLE CAUSE	REMEDY
Will not lift load at all	1) No Oil or not enough oil in system 2) Release Valve not closed 3) Power unit not function 4) Air in Hydraulic System	1) Fill to prescribed level 2) Turn handle clockwise tightly 3) Change the Power unit 4) Open Release Valve and pump handle full strokes
Will lift load only part way	5) Oil level low	5) Fill to prescribed level
Will lift load, but will not hold	6) Release Valve not closed tightly 7) Packing of power unit worn out or defective	6) Turn handle clockwise tightly 7) Change the Power unit
Jack will not lower	8) Release Valve stuck-probably dirt or foreign matter 9) Air in Hydraulic System	8) Transfer load & clean Release Valve 9) Remove Air Vent Valve to purge Air from Hydraulic System
Poor lifting	10) Defective Pump Packings and/or Valves malfunctioning 11) Dirty Oil Air in Hydraulic System	10) Change the Power unit 11) Change Hydraulic Oil Purge Air from system

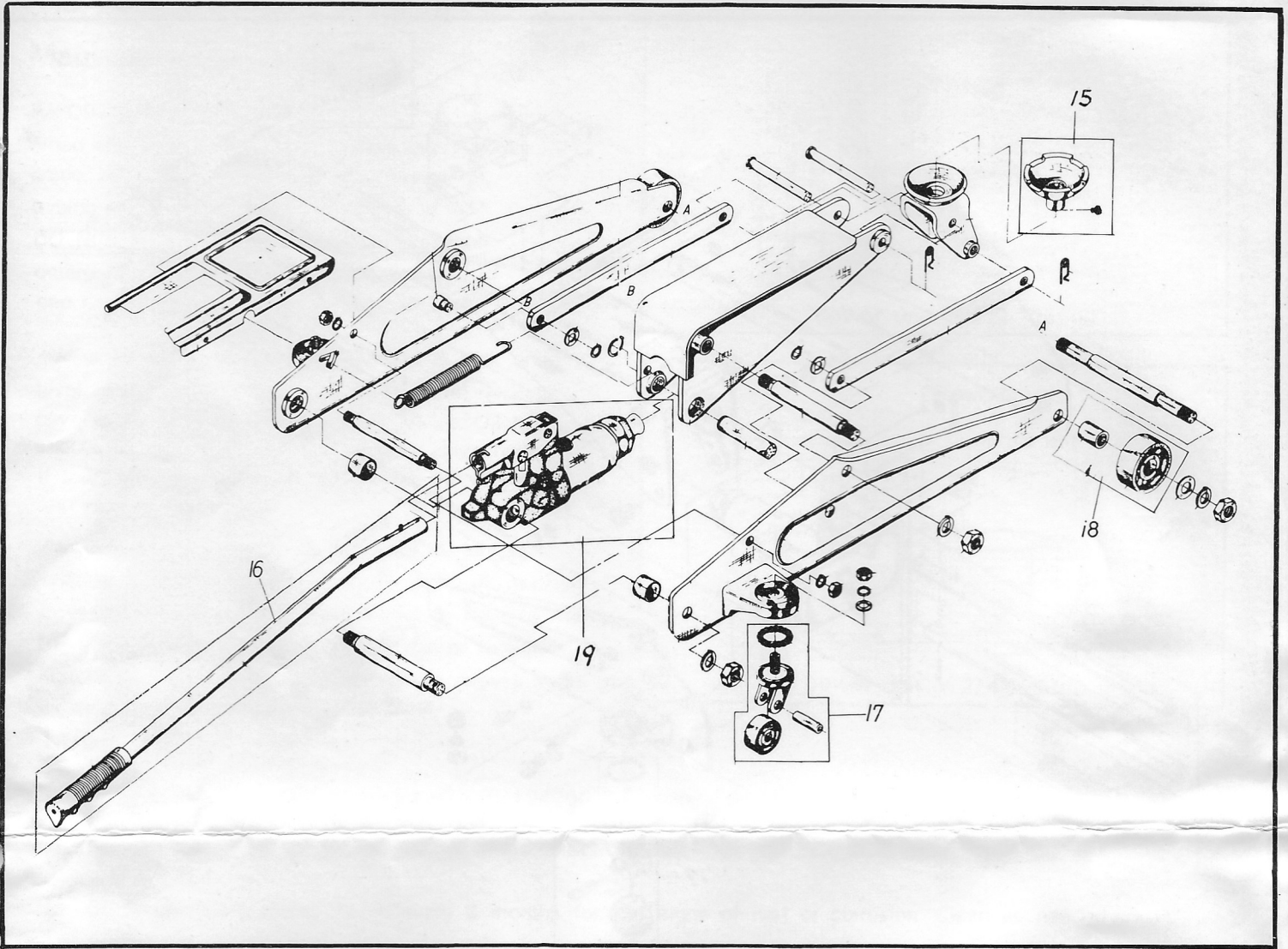
# 214-124500 1 1/2 TON Floor Jack



Only the following items are available as separate parts.

214-124500		
KEY NO.	PART NO.	DESCRIPTION
15	124512	Saddle
16	124513	Handle
17	124504	Rear Caster Assembly
18	124516	Front Wheel With Bushing
19	124510	Power Unit
Not Illustrated	124717	Owner's Manual

# 214-124700 2TON Floor Jack



Only the following items are available as separate parts.

214-124700		
KEY NO.	PART NO.	DESCRIPTION
15	124712	Saddle
16	124713	Handle
17	124604	Rear Caster Assembly
18	124716	Front Wheel With Bushing
19	124710	Power Unit
Not Illustrated	124717	Owner's Manual

# Sears

## owner's manual

MODEL NUMBER  
214-124500-1 ½ TON  
214-124700-2TON

**Save This Manual For  
Future Reference.**

**MODEL NUMBER** 214-124500  
214-124700

The Model Number and Serial Number will be found on the Frame Assembly. Always mention the Model Number and Serial Number when requesting service or repair parts for your Jack.

### How to Order Repair Parts

All parts may be ordered from any Sears Service Center and most Sears Stores.

If the parts you need are not stocked, locally, your order will be electronically transmitted to a Sears Repair Parts Distributions Center for handling.

#### **WHEN ORDERING REPAIR PARTS, ALWAYS GIVE THE FOLLOWING INFORMATION:**

1. PART NUMBER	3. PART DESCRIPTION
2. MODEL NUMBER	4. NAME OF ITEM
214-124500	1 ½ Ton Floor Service Jack
214-124700	2 Ton Floor Service Jack