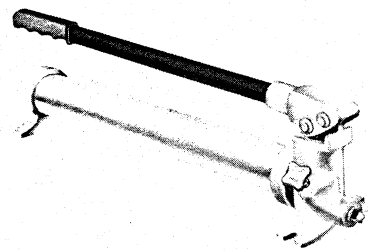
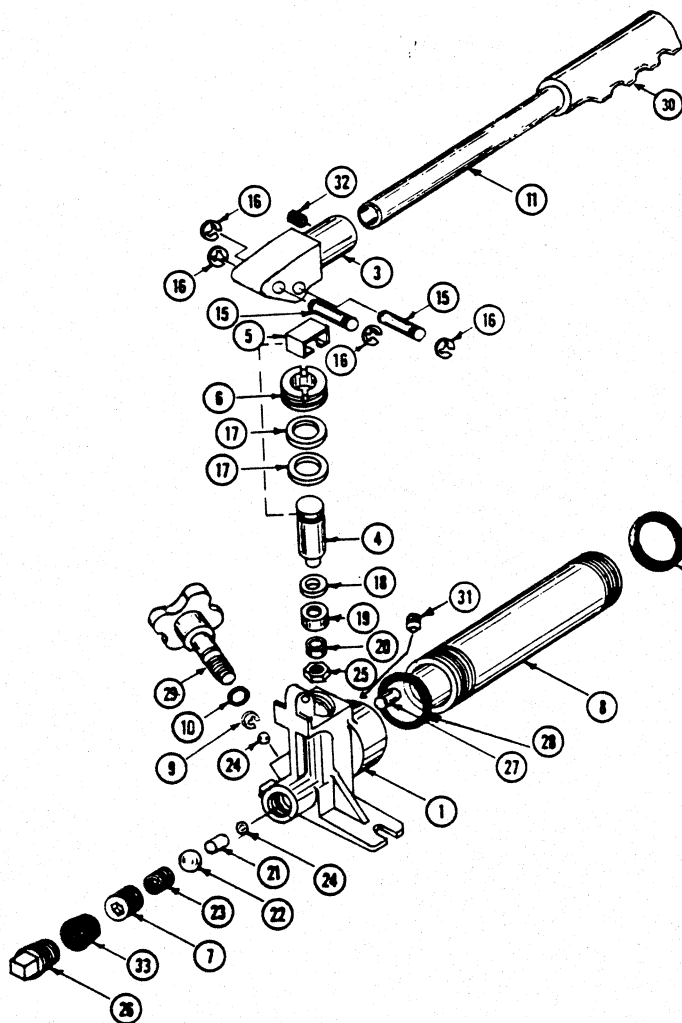


2



HP-50

DUFF-NORTON RAM-PAC PUMP

Models HP-40 and HP-50 are single-speed pumps. Because of their long plunger stroke per inch of rise, they require little effort and few strokes for operation.

Pump No.	Maximum Working Pressure psi	Length Inches	Width Inches	Height Inches	Weight Pounds
HP-40	10,000	18	5 ³ / ₈	5 ⁵ / ₈	10 ¹ / ₂
HP-50	10,000	24	5 ³ / ₈	5 ⁵ / ₈	12 ¹ / ₂

Symbol	Name of Part	Pump Nos. HP-40 & HP-50
		Part No.
1	Pump Body	X-6400
2	End Cap	X-6401
3	Socket Lever	X-6402
4	Pump Plunger	X-6403
5	Pump Clip	X-6404
6	Gland (Pump Cylinder)	X-6405
7	Discharge Spring Screw	X-6406
8	Reservoir Tube (HP-50)	X-6407
8	Reservoir Tube (HP-40)	X-6407-1
9	Retaining Ring (HP-50)	X-6633
9	Retaining Ring (HP-40)	X-6477-1
10	"O" Ring	X-6410
11	Operating Lever (HP-50)	X-6410-1
11	Operating Lever (HP-40)	X-6411
12	Bayonet Gage	X-6412
13	Reservoir Plug	X-6414-1
15	Pivot Pin (2 Req.)	X-6415-1
16	Retaining Ring (4 Req.)	X-6013
17	Packaging (Pump Gland) (2 Req.)	

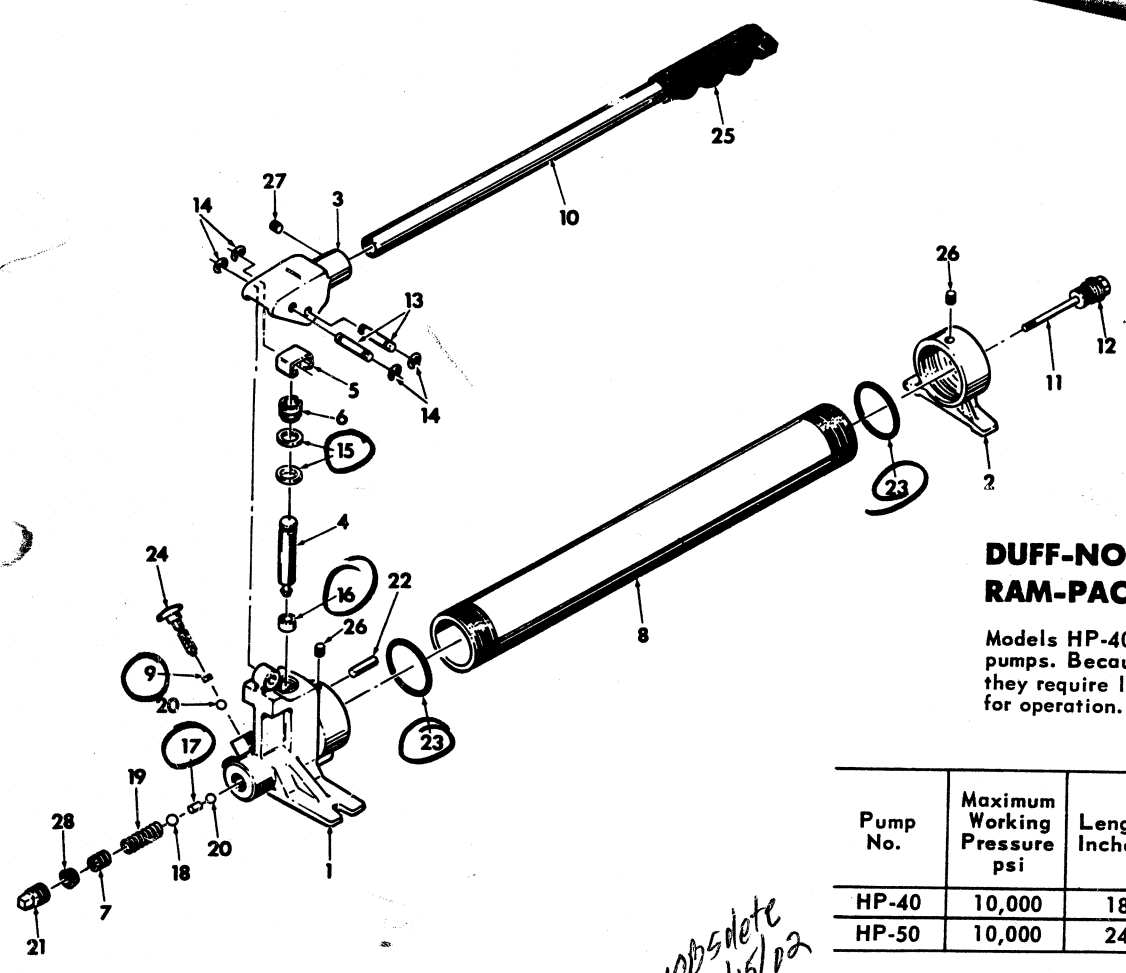
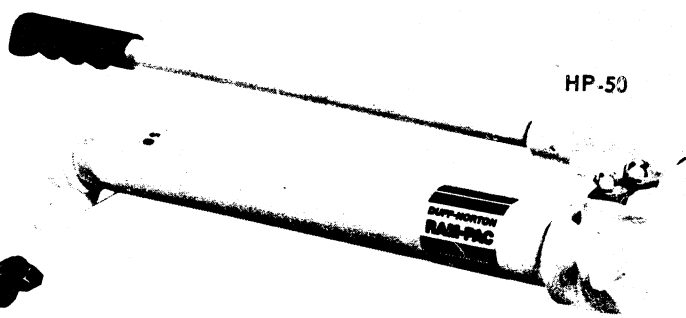
Symbol	Name of Part	Pump Nos. HP-40 & HP-50
		Part No.
18	Leather Washer	X-6062
19	Cup Washer	X-6021
20	Spacer	X-6022
21	Suction Spacer	X-6677
22	1 ¹ / ₃₂ " Dia. Ball	X-6028
23	Discharge Spring	X-6069-1
24	Stainless Steel Ball (2 Req.)	X-6618
25	Hex Nut	S-12-10
26	Pipe Plug	X-6491
27	Permanent Magnet	X-6475
28	"O" Ring (2 Req.)	X-6139
29	Bleeder Screw Assembly	X-6408-A
30	Flex Vinyl Grip	X-6429
31	Set Screws (2 Req.)	S-7-8
32	Half Dog Set Screw	S-52-20
33	Oil Filter Screen	X-6483
	Identification Decal	X-6782
	Decal	X-6416-1

Be sure to state on your order: name of part, part number, and style of Jack on which used.

704 6006 704 888

DUFF-NORTON HP-40 HP-50 RAM-PAC PUMPS

PARTS



O = repair kit

DUFF-NORTON RAM-PAC PUMP

Models HP-40 and HP-50 are single-speed pumps. Because of their long plunger stroke they require little effort and few strokes for operation.

Pump No.	Maximum Working Pressure psi	Length Inches	Width Inches	Height Inches	Weight Pounds
HP-40	10,000	18	5-3/8	5-5/8	11
HP-50	10,000	24	5-3/8	5-5/8	16

Item No.	Part Name	Pump Nos. HP-40 & HP-50	
		Part No.	
1	Pump Body	X-6400	
2	End Cap	X-6401	
3	Socket Lever	X-6402	
4	Pump Plunger	X-7012	
5	Pump Clip	X-6404	
6	Gland (Pump Cylinder)	X-6405	
7	Discharge Retainer Spring Screw	X-6406	
8	Reservoir Tube (HP-50)	X-6407	
9	Reservoir Tube (HP-40)	X-6407-1	
10	"O" Ring	X-6477-1	
10	Operating Lever (HP-50)	X-6410	
10	Operating Lever (HP-40)	X-6410-1	
11	Bayonet Gage	X-6411	
12	Reservoir Plug	X-6412	
13	Pivot Pin (2 Req.)	X-6414-1	
14	Retaining Ring (4 Req.)	X-6415-1	
15	Packaging (Pump Gland) (2 Req.)	X-6013	
16	U-Cup	X-7011-3	

obsolete 4/15/82

USE X-7051

Item No.	Part Name	Pump Nos. HP-40 & HP-50	
		Part No.	
17	Suction Spacer	X-6677	
18	11/32" Dia. Ball	X-6028	
19	Discharge Spring	X-6069-1	
20	Stainless Steel Ball (2 Req.) 1/4"	X-6078	N-382
21	Pipe Plug (Steel)	S-25-3	
22	Permanent Magnet	X-6475	
23	"O" Ring (2 Req.)	X-6139	
24	Bleeder Screw Assembly	X-6408-1	SA
25	Flex Vinyl Grip	X-6429	
26	Set Screws (2 Req.)	S-7-8	
27	Half Dog Set Screw	S-52-20	
28	Oil Filter Screen	X-6483	
	Decal (HP-50)	X-6853	
	Decal (HP-40)	X-6854	
	Jack Oil Decal	X-4412	
	Repair Kit	X-7007	
	Hydraulic Oil	HA-41	
	Decal	X-6780	

Repair kit X-7007 - obsolete 4/15/82

Be sure to state on your order: name of part, part number, and style of Jack on which used.