

# POWER TEAM

A division of SPX Corporation

2121 West Bridge Street  
Owatonna, MN 55060 USA

Phone: (507) 455-7100  
Tech. Services: (800) 477-8326

Fax: (800) 765-8326  
Order Entry: (800) 541-1418

Fax: (800) 288-7031  
International Sales: (507) 455-7150  
Fax: (507) 455-7122

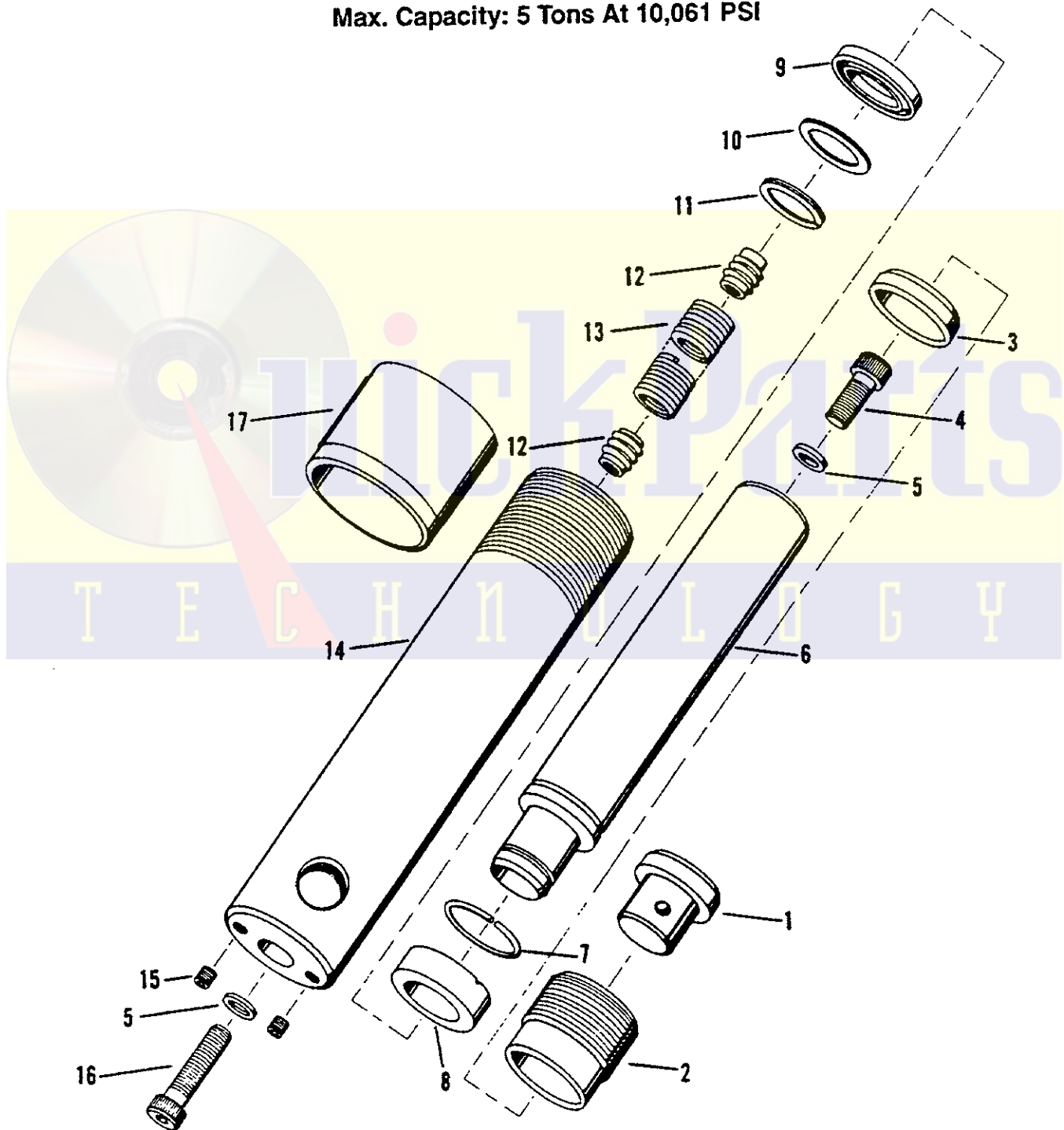
Form No. 100392

Parts List for:

C51C	C55C
C53C	C53C-CI

## SINGLE-ACTING, SPRING RETURN HYDRAULIC CYLINDERS

Max. Capacity: 5 Tons At 10,061 PSI



Sheet No. 1 of 1

Issue Date: Rev. 7-15-96

# Parts List, Form No. 100392, Back sheet 1 of 1

Item No.	Part No.	No. Req'd	Description
1	201375	1	Thread Adapter (For C51C, C53C & C55C)
2	201376	1	Retainer Nut (Torque to 450/500 in. lbs.)
3	*201424	1	Rod Wiper
4	15122	1	Soc. Hd. Cap Screw (#10-32 X 5/8 Lg.; Torque to 50/60 in. lbs.)
5	*14319	2	Copper Washer (3/16 X 5/16 X 1/32)
6	36092	1	Piston Rod (For C53C & C53C-CI)
	36093	1	Piston Rod (For C55C)
	303107	1	Piston Rod (For C51C)
7	—	1	Round Retaining Ring (Note: This part assembled on piston rod [Item #6].)
8	201377	1	Piston Head (Assemble with groove toward shoulder)
9	*13426	1	U-cup Piston Seal
10	201373	1	Retainer Washer
11	*13653	1	Retaining Ring
12	201372	2	Spring Retainer
13	201422	1	Extension Spring (For C53C & C53C-CI)
	201423	1	Extension Spring (For C55C)
	207529	1	Extension Spring (For C51C)
14	42168	1	Cylinder Body (For C53C & C53C-CI)
	42170	1	Cylinder Body (For C55C)
	44773	1	Cylinder Body (For C51C)
15	10556	2	Set Screws (1/4-20 X 1/4 Lg.)
16	16071	1	Soc. Hd. Cap Screw (#10-32 X 1" Lg.; Torque to 50/60 in. lbs.)
17	36141	1	Thread Protector (Plastic)

Spring must not extend beyond threads of spring retainer (both ends). Stretch, clean and lubricate before assembly.

### PARTS INCLUDED BUT NOT SHOWN

16105	1	Trade Name Decal (For C53C & C53C-CI)
16157	1	Trade Name Decal (For C55C)
207530	1	Trade Name Decal (For C51C)
*203908	1	Warning Decal
9796	1	Ram Half Coupler w/Dust Cap (For C51C, C53C & C55C)

Part numbers marked with an asterisk (\*) are contained in Repair Kit No. 300035.

Refer to any operating instructions included with this product for detailed information about operation, testing, disassembly, reassembly, and preventive maintenance.

Items found in this parts list have been carefully tested and selected. **Therefore: Use only genuine Power Team replacement parts!**

Additional questions can be directed to our Technical Services Department.

Note: Shaded areas reflect last revision(s) made to this form.