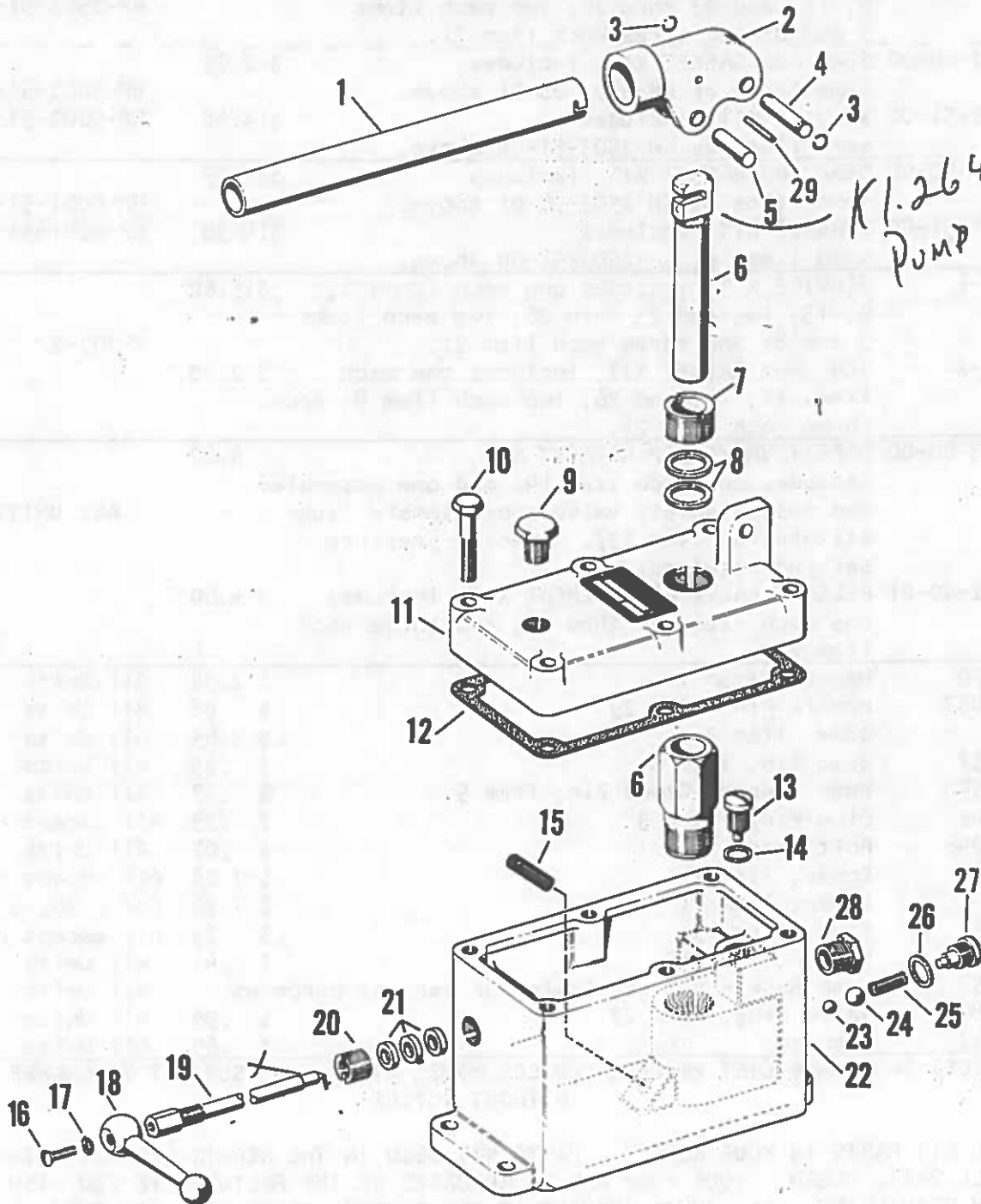


POWER PACKER

a BLACKHAWK product

SINGLE ACTING HAND PUMP REPAIR PARTS SHEET



BLACKHAWK INDUSTRIAL PRODUCTS CO.
POWER PACKER DIVISION

Butler, Wis. • Phone SUnset 1-6600 • Area Code 414



ALL PARTS AVAILABLE IN KIT FORM ONLY AS LISTED BELOW. WHEN ORDERING KITS, PLEASE INCLUDE THE FOLLOWING INFORMATION:

KIT NUMBER KH-****-**-**

THIS SHEET NUMBER 1162

PUMP MODEL NUMBER HP-****-**-**

Prices Valid See Price List 3-15-64

KIT NUMBER	DESCRIPTION	LIST EACH	USED ON
KH-2503-00-01	SEAL AND GASKET KIT, includes one each items 7, 12, 14, and 26; two each item 8; and three each item 21.	\$ 1.70	HP2503-51-00 P148 HP2503-51-01 P348
KH-2503-51-00	SERVICE KIT, includes one each items 6, 12, and 23 thru 26; two each items 3 and 8; and three each item 21.	\$11.25	HP-2503-51-02 HP-2503-51-03
KH-5002-00-00	SEAL AND GASKET KIT, includes same items as KH-2503-00-01 above.	\$ 2.75	
KH-5002-51-00	SERVICE KIT, includes same items as KH-2503-51-00 above.	\$13.48	HP-5002-51-00 P147 HP-5002-51-01 P347
KH-6001-00-00	SEAL AND GASKET KIT, includes same items as KH-2503-00-01 above.	\$ 2.75	
KH-6001-51-00	SERVICE KIT, includes same items as KH-2503-51-00 above.	\$14.30	HP-6001-51-00 P146 HP-6001-51-01 P346
KP-307-1	SERVICE KIT, includes one each items 6, 9, 13, 14, and 23 thru 26; two each items 3 and 8; and three each item 21.	\$15.60	
KP-307-2	SEAL AND GASKET KIT, includes one each items 12, 14, and 26; two each item 8; and three each item 21.	\$ 2.40	P-307-2
KH-2503-00-00	SAFETY VALVE REPLACEMENT KIT, includes one each item 14; and one assembled and tested safety valve sub-assembly (substitute for item 13). Specify pressure setting required.	\$ 4.00	ALL UNITS
KH-5002-00-01	RELEASE VALVE REPLACEMENT KIT, includes one each items 16 thru 20; and three each item 21.	\$ 4.60	
P147.070	Handle, Item 1	\$ 2.33	All Units
B1096.057	Handle pin, Item 29	\$.08	All Units
H9.060	Beam, Item 2	\$ 3.65	All Units
P148.057	Beam Pin, Item 4	\$.25	All Units
P146.057	Pump Plunger Cross Pin, Item 5	\$.37	All Units
R515.245	Pipe Plug, Item 9	\$.25	All except P-307-2
B1047.046	Bolt, Item 10	\$.07	All Units
P146.162	Cover, Item 11	\$ 7.05	All except P-307-2
H5.162	Cover, Item 11	\$ 7.39	For P-307-2 only
CB9.185	Plug, Item 13	\$.24	All except P-307-2
P307.018	Screen, Item 15	\$.41	All Units
P307.05	Pump Base - not available for service purposes		All Units
P307.186	Valve Plug, Item 27	\$.94	All Units
H363.343	Bushing	\$.59	All Units

ALL PRICES SHOWN ARE LIST PRICES, FOB COLUMBUS, WISCONSIN, SUBJECT TO CHANGE WITHOUT NOTICE!

USE ALL KIT PARTS IN YOUR REPAIR. PARTS NOT USED IN THE REPAIR ARE NOT RETURNABLE. KEEP ALL PARTS CLEAN. YOUR PUMP MAY BE RETURNED TO THE FACTORY, IF YOU WISH, FOR FACTORY REBUILDING. ALL PUMPS REBUILT AT THE FACTORY CARRY FULL NEW PUMP WARRANTY

FACTORY LOCATION

THE COLUMBUS PRODUCTS COMPANY
POWER PACKER DIVISION
LEGION COURT
COLUMBUS, WISCONSIN