

Owner's Manual & Safety Instructions

Save This Manual Keep this manual for the safety warnings and precautions, assembly, operating, inspection, maintenance and cleaning procedures. Write the product's serial number in the back of the manual near the assembly diagram (or month and year of purchase if product has no number). Keep this manual and the receipt in a safe and dry place for future reference.

PITTSBURGH[®] AUTOMOTIVE ITEMS 60406, 60407

Hydraulic Equipment Kit



Item 60406 - 10 Ton kit shown.

Visit our website at: <http://www.harborfreight.com>

Email our technical support at: tech@harborfreight.com

When unpacking, make sure that the product is intact and undamaged. If any parts are missing or broken, please call 1-800-444-3353 as soon as possible.





⚠ WARNING

**Read this material before using this product.
Failure to do so can result in serious injury.
SAVE THIS MANUAL.**

Copyright © 2012 by Harbor Freight Tools®. All rights reserved.

No portion of this manual or any artwork contained herein may be reproduced in any shape or form without the express written consent of Harbor Freight Tools. Diagrams within this manual may not be drawn proportionally. Due to continuing improvements, actual product may differ slightly from the product described herein. Tools required for assembly and service may not be included.

WARNING SYMBOLS AND DEFINITIONS

	This is the safety alert symbol. It is used to alert you to potential personal injury hazards. Obey all safety messages that follow this symbol to avoid possible injury or death.
 DANGER	Indicates a hazardous situation which, if not avoided, will result in death or serious injury.
 WARNING	Indicates a hazardous situation which, if not avoided, could result in death or serious injury.
 CAUTION	Indicates a hazardous situation which, if not avoided, could result in minor or moderate injury.
NOTICE CAUTION	Addresses practices not related to personal injury.

IMPORTANT SAFETY INFORMATION

WARNING

Read all safety warnings and instructions.

Failure to follow the warnings and instructions may result in serious injury.

Save all warnings and instructions for future reference.

The warnings and precautions discussed in this manual cannot cover all possible conditions and situations that may occur. It must be understood by the operator that common sense and caution are factors which cannot be built into this product, but must be supplied by the operator.

Work area

1. **Turn off the engine, set the parking brake, and block the tires before working on a vehicle.**
2. **Keep the work area clean and well lighted.** Cluttered benches and dark areas increase the risk of injury to persons.
3. **Keep bystanders and children away while operating the tool.** Distractions can result in loss of control of the tool.

Personal safety

1. **Stay alert. Watch what you are doing and use common sense when operating the tool. Do not use the tool while tired or under the influence of drugs, alcohol, or medication.** A moment of inattention while operating the tool increases the risk of injury to persons.
2. **Dress properly. Do not wear loose clothing or jewelry. Contain long hair. Keep hair, clothing, and gloves away from moving parts.** Loose clothes, jewelry, or long hair increases the risk of injury to persons as a result of being caught in moving parts.
3. **Use safety equipment.** Wear ANSI-approved safety goggles and heavy-duty work gloves during use.

Tool use and care

1. **Do not force the tool.** Use the correct tool for the application. The correct tool will do the job better and safer at the rate for which the tool is designed.
2. **Store the tool when it is idle out of reach of children and other untrained persons.** A tool is dangerous in the hands of untrained users.
3. **Check for misalignment or binding of moving parts, breakage of parts, and any other condition that affects the tool's operation.** If damaged, have the tool serviced before using. Many accidents are caused by poorly maintained tools.
4. **Use only accessories that are identified by the manufacturer for the specific tool model.** Use of an accessory not intended for use with the specific tool model, increases the risk of injury to persons.
5. **Avoid off-center loads.** If the Pump seems unusually hard to operate, immediately stop. Adjust the Ram to eliminate or diminish an off-center load. The Flange Base and Flange Head must **only** be used together to prevent an off-center load.
6. **Protect the Hose.** Do not drop heavy objects on the Hose. Avoid kinks in the Hose. Maintain proper clearance to avoid damage to the Hose and Couplers.
7. **Inspect repair before using vehicle.** Repairs to structural or frame members must be inspected by a qualified technician to ensure that the structure is still strong enough to safely fulfill its function.

Service

1. **Tool service must be performed only by qualified repair personnel.**
2. **When servicing a tool, use only identical replacement parts. Use only authorized parts.**



SAVE THESE INSTRUCTIONS.

Specifications

Model	60407	60406
Ram Capacity	4 Tons 2 Tons w/ extensions	10 Tons 5 Tons w/ extensions
Ram Travel	4- ³ / ₄ "	5- ¹ / ₂ "
Extension Pole Length	51" Maximum	59- ¹ / ₂ " Maximum
Spreader Capacity	¹ / ₂ Ton 3- ³ / ₄ " Maximum Opening	¹ / ₂ Ton 3- ³ / ₄ " Maximum Opening
Hose Length	71"	71"

Setup



Read the **ENTIRE IMPORTANT SAFETY INFORMATION** section at the beginning of this document including all text under subheadings therein before set up or use of this product.

Ram Attachments

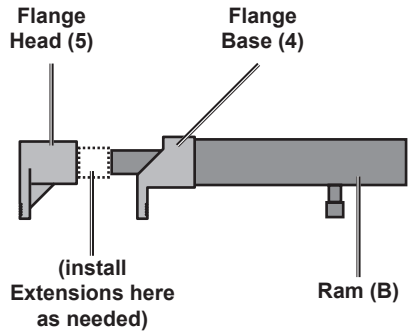
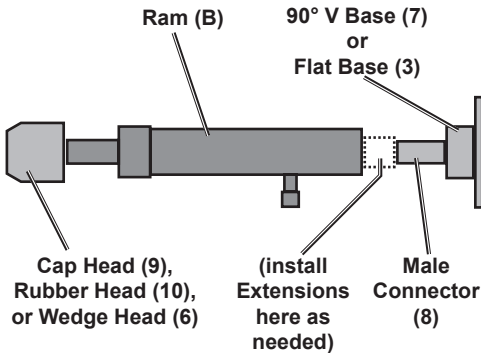
1. The Extensions (2a – 2e) connect in different combinations to reach desired lengths.
2. The Male Connector (8) is used to connect the female end of the Ram (B) to a Base.
3. The Flat Base (3) is typically used on the stationary side to spread out the force of the Ram (B).
4. The 90° V Base (7) is used to offset the force of the Ram (B) when there is not a straight line between the stationary side and the damaged side, or to spread out force on curved surfaces.
5. The Cap Head (9) is typically used on the pushing end to prevent slipping.
6. The Rubber Head (10) is typically used for popping dents out of sheet metal such as doors or body panels and to minimize damage to the work surface.
7. The Wedge Head (6) is used to repair small dents and areas located in angles and tight spaces.
8. The Flange Base and Flange Head (4, 5) are used together to allow spreading in areas that the Ram cannot fit into.

Note: The Flange Base and Flange Head must **only** be used together to prevent an off-center load.

Ram Setup

Note: When positioning the Ram (B) use a smaller attachment on the side that is to be bent instead of the stationary side. If the stationary side is in danger of being bent or damaged, place a block of wood or other material behind the Flat Base (3) to distribute pressure over a greater area.

1. Clean the end of the Hose (21) and the inlet on the Ram (B). Unscrew and save the Dust Covers located on the end of the Hose (21) and Ram (B).
2. Attach the Hose to the Ram.
3. Assemble attachments as shown below:



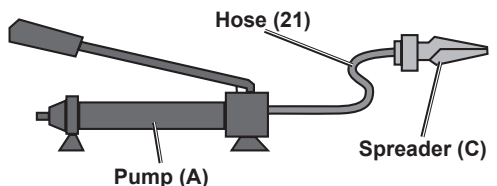
Note: If using the Flange Base and Flange Head, thread the Flange Base onto the Ram completely and align the Flange Head to it.

Spreader Setup

The Spreader (C) is used when the Ram (B) is too long to fit between the stationary side and the damaged area.

1. Clean the end of the Hose (21) and the inlet on the Spreader (C).
2. Unscrew and save the Dust Covers located on the end of the Hose (21) and Spreader (C).

3. Attach the Hose (21) to the Spreader Wedge (C), as shown below:



Operation



Read the **ENTIRE IMPORTANT SAFETY INFORMATION** section at the beginning of this manual including all text under subheadings therein before use of this product.

1. Check the Hydraulic Fluid Level, following the instructions in the Cleaning and Maintenance section.
2. Determine which direction the frame needs to be bent.
3. Remove any obstructions that could be damaged or are in the way.

Note: When using the Pump (A) in a vertical position, keep the Hose (21) end of the Pump downward.

4A. USING RAM (B):

- a. Connect the appropriate Base (3, 4, 7) to the stationary side of the Ram (B), and connect the appropriate head to the pushing end of the Ram.

Note: When repairing larger body panel dents such as a dented door, fender or quarter-panel use the Rubber Head (10) on the pushing end.

- b. **If using the Flange Base (4) or Flange Head (5):**
Thread the Flange Base onto the Ram completely and align the Flange Head to it. The Flange Base and Flange Head must **only** be used together to prevent off-center load.

- c. Position the Ram (B) so that the Base is resting against a frame member opposite the damaged area. It must also be in line with the direction in which the damaged area needs to be pushed. The vehicle body part must be stronger than the area to be bent or it may be damaged. A block of wood or a towel may be used to protect the body part.
- d. Aim the pushing end towards the area that needs to be repaired, and slowly apply pressure with the Pump (A).

Note: To prevent damage, do not overextend the Ram.

PITTSBURGH AUTOMOTIVE

4B. **USING SPREADER (C):**

- a. Place the Spreader (C) so that the hinged (pushing) arm is resting against the part to be moved and the stationary arm is resting against a non-movable base.
 - b. Carefully hold the Spreader in position and apply pressure with the Pump (A).
5. Once both ends have made contact, move as far away as possible and continue to slowly apply pressure to the damaged area until the desired bend has been made.
CAUTION! Keep hands away from contact areas and tight spaces.
The tool may slip and cause injury.
6. When the damaged area has been bent to the desired position, slowly turn the Release Valve (26) counterclockwise to release the hydraulic pressure and remove the Ram (B) or Spreader (C).
7. Clean all hydraulic ports and cover them with clean Dust Covers to prevent contamination and damage.

PITTSBURGH[®] AUTOMOTIVE

Cleaning and Maintenance

1. Keep the surface of this tool and its accessories free of hydraulic fluid and grease. Use only a mild detergent and damp cloth when cleaning. Do not use a flammable or combustible solvent to clean this tool or its accessories.
2. Before each use, examine the general condition of the tool and its accessories. Check for loose components, misalignment, binding of moving parts, broken parts and any other condition that may affect its safe operation. Do not use a damaged tool or its damaged accessories.
3. Keep hydraulic connections clean. Clean all hydraulic ports and replace Dust Covers immediately after use.
4. Store the Pump (A) with the Release Valve (26) open.

Filling and Bleeding Hydraulic Fluid

If the Pump (A) operation feels spongy, or the Ram (B) lowers while the Release Valve (26) is closed, there may be air in the Pump. Bleed the Pump as follows:

1. Set Pump (A) flat on a level surface.
2. Remove the Fill Screw (16). The Seal Ring (15) should come off with it.
3. The fluid level should be near the bottom of the opening. If required, add high grade hydraulic fluid.
4. Make sure the Seal Ring (15) is still in place around the Fill Screw (16) and thread the Fill Screw into the Pump securely. Do not use thread seal tape.
5. Firmly close the Release Valve (26) by turning it clockwise.
6. Press the tip of the Coupler (22) against a hard surface and pump the pump handle.
7. Continue pumping, until the hydraulic fluid coming out the end of the Coupler tip is free of air bubbles.
8. Recheck the fluid level and add fluid if necessary.
9. Turn the Release Valve counterclockwise to release the pressure in the Pump and Hose.

Changing Hydraulic Fluid

1. Change the hydraulic fluid yearly.
2. Remove the Fill Screw (16) and tilt the Pump (A) to drain out the old fluid.
3. Refill the hydraulic fluid and bleed the system several times to ensure all air is out of the system.

PLEASE READ THE FOLLOWING CAREFULLY

THE MANUFACTURER AND/OR DISTRIBUTOR HAS PROVIDED THE PARTS LIST AND ASSEMBLY DIAGRAM IN THIS DOCUMENT AS A REFERENCE TOOL ONLY. NEITHER THE MANUFACTURER OR DISTRIBUTOR MAKES ANY REPRESENTATION OR WARRANTY OF ANY KIND TO THE BUYER THAT HE OR SHE IS QUALIFIED TO MAKE ANY REPAIRS TO THE PRODUCT, OR THAT HE OR SHE IS QUALIFIED TO REPLACE ANY PARTS OF THE PRODUCT. IN FACT, THE MANUFACTURER AND/OR DISTRIBUTOR EXPRESSLY STATES THAT ALL REPAIRS AND PARTS REPLACEMENTS SHOULD BE UNDERTAKEN BY CERTIFIED AND LICENSED TECHNICIANS, AND NOT BY THE BUYER. THE BUYER ASSUMES ALL RISK AND LIABILITY ARISING OUT OF HIS OR HER REPAIRS TO THE ORIGINAL PRODUCT OR REPLACEMENT PARTS THERETO, OR ARISING OUT OF HIS OR HER INSTALLATION OF REPLACEMENT PARTS THERETO.

PITTSBURGH[®] **AUTOMOTIVE**

Parts List and Diagram

Parts List

Part	Description	Qty
A	Pump Asm. (#11-45)	1
B	Ram Asm. (#46-60)	1
C	Spreader Asm. (#61-69)	1
1	Box	1
2a	Extension A	1
2b	Extension B	1
2c	Extension C	1
2d	Extension D	1
2e	Extension E	1
3	Flat Base	1
4	Flange Base	1
5	Flange Head	1
6	Wedge Head	1
7	90° V Base	1
8	Male Connector	1
9	Cap Head	1
10	Rubber Head	1
11	Valve Block	1
12	Oil Filter	1
13	O-Ring	1
14	Reservoir	1
15	Seal Ring	8
16	Fill Screw	1
17	Seal Ring	1
18	Tie Rod	1
19	O-Ring	1
20	Pump Foot	1
21	Hose	1
22	Coupler	1
23	Dust Cover	1
24	Ball	2
25	O-Ring	3
26	Release Valve	1
27	Ball	1
28	Spring	1
29	Screw	1
30	Ball	1
31	Ball Cup	1

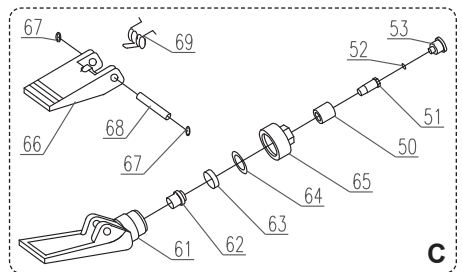
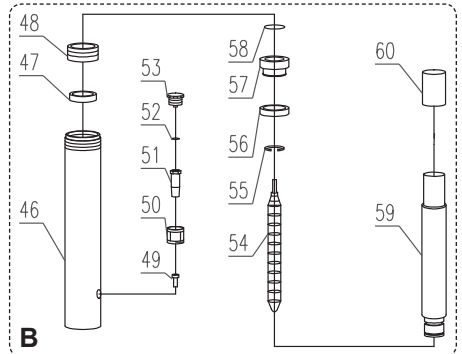
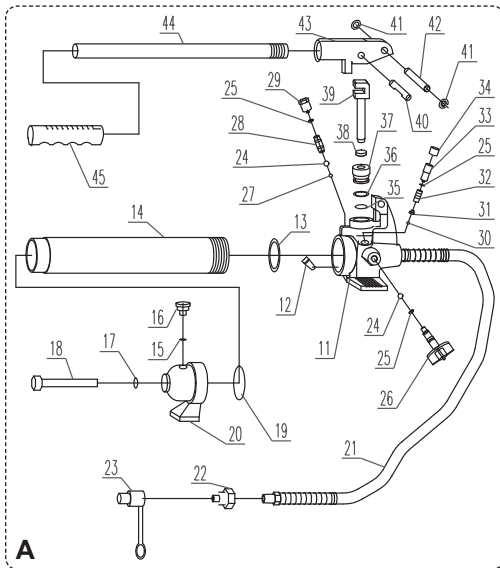
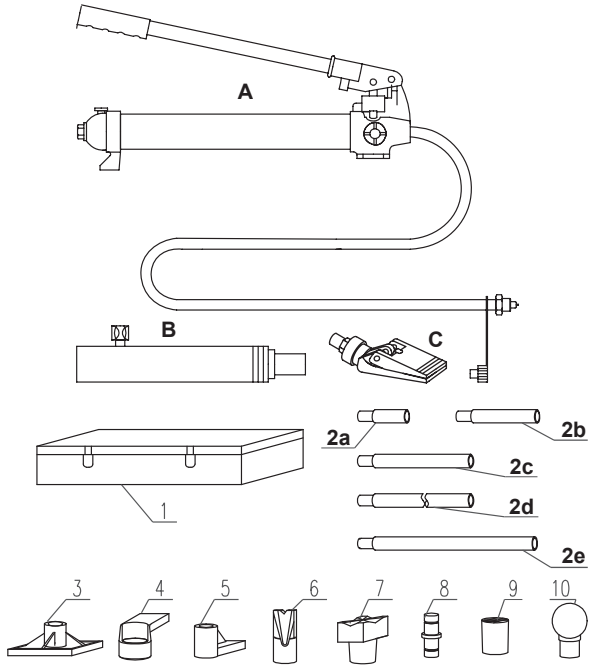
Part	Description	Qty
32	Spring	1
33	Screw	1
34	Screw Cup	1
35	O-Ring	1
36	Nylon Seal	1
37	Screw	1
38	Y-Ring	1
39	Small Piston	1
40	Pin	1
41	Retaining Ring	2
42	Pin	1
43	Handle Socket	1
44	Handle	1
45	Handle Sleeve	1
46	Cylinder	1
47	Ram Ring	1
48	Screw Cover	1
49	M6 Screw	1
50	Connection Nut	2
51	Cylinder Screw	2
52	O-Ring	2
53	Dust Cover	2
54	Spring	1
55	Retaining Ring	1
56	Y-Ring	1
57	Bushing	1
58	O-Ring	1
59	Piston	1
60	Cover	1
61	Fixed Jaw	1
62	Small Piston	1
63	Piston Ring	1
64	Nylon Ring	1
65	Screw Cover	1
66	Movable Jaw	1
67	Retaining Ring	2
68	Pin	1
69	Spring	1

Record Product's Serial Number Here: _____

Note: If product has no serial number, record month and year of purchase instead.

Note: Some parts are listed and shown for illustration purposes only, and are not available individually as replacement parts.

Assembly Diagram



Limited 90 Day Warranty

Harbor Freight Tools Co. makes every effort to assure that its products meet high quality and durability standards, and warrants to the original purchaser that this product is free from defects in materials and workmanship for the period of 90 days from the date of purchase. This warranty does not apply to damage due directly or indirectly, to misuse, abuse, negligence or accidents, repairs or alterations outside our facilities, criminal activity, improper installation, normal wear and tear, or to lack of maintenance. We shall in no event be liable for death, injuries to persons or property, or for incidental, contingent, special or consequential damages arising from the use of our product. Some states do not allow the exclusion or limitation of incidental or consequential damages, so the above limitation of exclusion may not apply to you. THIS WARRANTY IS EXPRESSLY IN LIEU OF ALL OTHER WARRANTIES, EXPRESS OR IMPLIED, INCLUDING THE WARRANTIES OF MERCHANTABILITY AND FITNESS.

To take advantage of this warranty, the product or part must be returned to us with transportation charges prepaid. Proof of purchase date and an explanation of the complaint must accompany the merchandise. If our inspection verifies the defect, we will either repair or replace the product at our election or we may elect to refund the purchase price if we cannot readily and quickly provide you with a replacement. We will return repaired products at our expense, but if we determine there is no defect, or that the defect resulted from causes not within the scope of our warranty, then you must bear the cost of returning the product.

This warranty gives you specific legal rights and you may also have other rights which vary from state to state.

PITTSBURGH[®] AUTOMOTIVE

3491 Mission Oaks Blvd. • PO Box 6009 • Camarillo, CA 93011 • (800) 444-3353