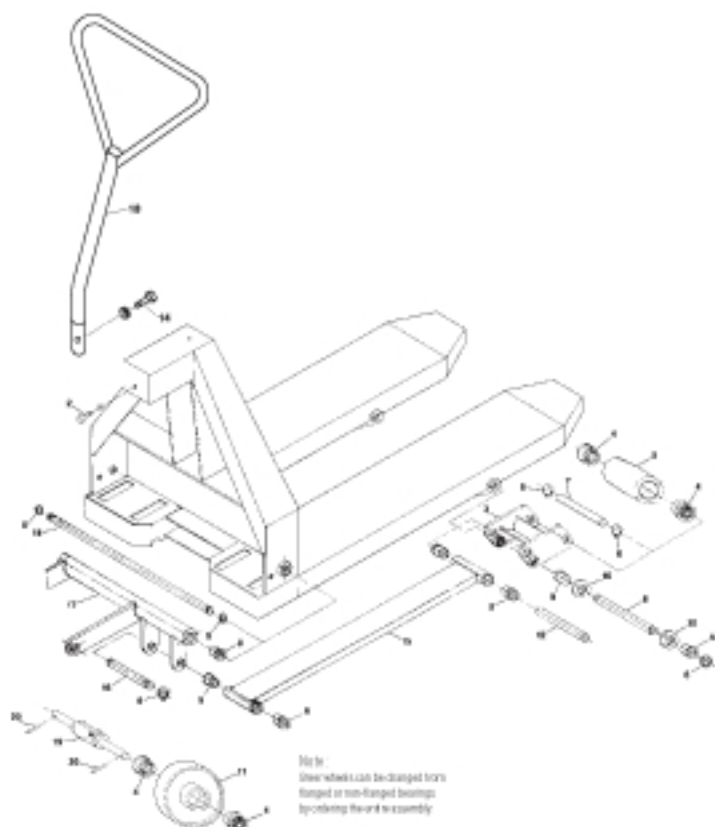
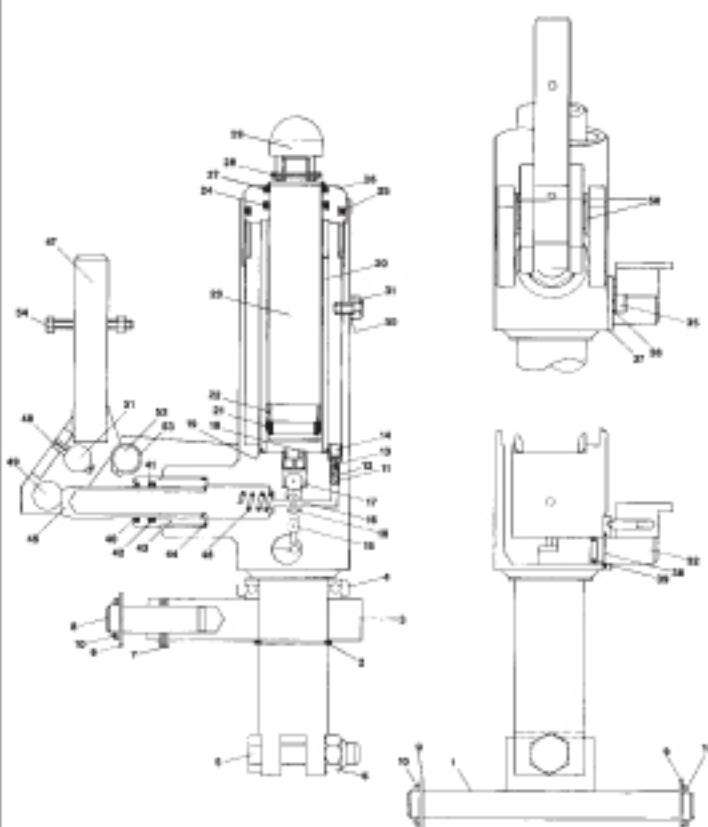


PALLET JACK PARTS

Palletmaster HSW Frame



Palletmaster HSW Hydraulic Unit



Palletmaster HSW Frame

Item#	Part#	Description
2	0830	Score and Washer
3	0101	Load Roller Bracket with Bushings
4	0103	Bearing, Noser Style, No Flange
	0104	Bearing (Older Style, Flanged)
5	0105-A-D	Load Roller Assembly, Red Ultra Poly On
		Aluminum Hub W/ Bearings
	0105-A	Load Roller Assembly, Black Ultra Poly On
		Steel Hub W/ Bearings
	0105-N-A	Load Roller Assembly, Nylon W/ Bearings
	0105-A-FB	Load Roller Assembly, Red Ultra Poly On
		Aluminum Hub W/ Bearings (Flanged Bearings)
	0105-FB	Load Roller Assembly, Black Ultra Poly On
		Steel Hub W/ Bearings (Flanged Bearings)
6	0107	Snap Ring
7	0108	Load Roller Axle
8	0130	Pivot Axle

Item#	Part#	Description
9	9111	Bushing
10	9112	Washer
11	9113-A-AD	Steer Wheel Assembly, Red Ultra Poly On
		Aluminum Hub W/ Bearings
	9113-A-ST	Steer Wheel Assembly, Poly On Nylon Hub W/ Bearings
	9113-N-A	Steer Wheel Assembly, Nylon W/ Bearings
	9113-A-FB-HD	Steer Wheel Assembly, Red Ultra Poly On
		Aluminum Hub W/ Bearings (Flanged Bearings)
12	9114	Push Rod Axle
13	9122	Handle
14	9123	Handle Bolt and Nut
15	9506	Push Rod, 48" Forks
16	9507	Pin
17	9406	Lifting Link, 22" Wide Jack
18	9404	Lifting Link, 20" Wide Jack
19	93	Steer Wheel Axle

Item#	Part#	Description
20	A11	Roll Pin
BRAKE PARTS		
	1B-1	Bushing
	1B-2	Mounting Pin
	1B-3	Snap Ring
	1B-4	Threaded Eye-Bolt Assembly
	1B-5	Locking Lever Mounting Yoke
	1B-6	Locking Lever
	1B-7	Spring
	1B-8	Slave Assembly
	1B-9-A	Brake Shoe
	1B-9-B	Hinge Bracket
	1B-9-C	Show Spring

Palletmaster HSW Hydraulic Unit

Item#	Part#	Description
1	A1	Steer Wheel Axle
2	A2	Snap Ring
3	A3	Washer
4	A4	Torsion Bearing
5	A5	Bolt
6	A6	Nut
7	A7	Roll Pin
8	A8	Pin
9	A9	Washer
10	A11	Roll Pin
11	A11	Roll Pin
12		Insert (No Longer Needed)
13	A12	Spring
14	L3	Roller Valve
15	A14	Release Pin
16	A15	Roll Pin
17	A16	Roll Pin
18	L7	Flow Valve
19A-B	L8	O-Ring
20	L9	Shims

Item#	Part#	Description
21A-B	L10	O-Ring
22A	L11	Bushing
23	L12	Pin (Older Style, Serial #0000 & Lower)
	L12A	Pin
24A-B	L13	O-Ring
25A-B	L14	O-Ring
26	L15	Top Nut
27A-B	L16	Scraper
28	L17	Roll Pin
29	L18	Top Pin (Older Style, Serial #0000 & Lower)
30A-B	L19	Washer
31	L20	Filter Plug
32	F1	Foot Pedal
33	F4	Bolt, 3/16"
	F4-5	Bolt, 1/16"
35	F5	Lock Washer
	F5-5	Lock Washer
37	F6	Detent Pin, 3/16"
	F6-5	Detent Pin, 5/16"
38	F7	Snap Ring

Item#	Part#	Description
39A-B	F8	O-Ring
40A-B	P1	Scraper
41A-B	P2	Back-Up Ring
42A-B	P3	O-Ring
43	P4	Shims
44A-B	P5	O-Ring
45A	P6	Pinion
46A-B	P7	Spring
47	P8	Handle Bracket
48	P9	Roll Pin
49	P10	Roller
50A-B	P11	Bushing
51	P12	Pin
52	P13	Slave Shaft
53	P14	Snap Ring
54	0523	Handle Bolt and Nut
KTS-A	HSW-SUPER	Super Seal Kit
KTS-B	HSW	Seal Kit
HHHSW		Rebuild Hydraulic Unit - Exchange