



A division of SPX Corporation
655 Eisenhower Drive
Owatonna, MN 55060-0995 USA
Phone: (507) 455-7000
Tech. Services: (800) 533-6127
Fax: (800) 955-8329
Order Entry: (507) 455-1480
Fax: (800) 283-8665
International Sales: (507) 455-7223
Fax: (507) 455-7746

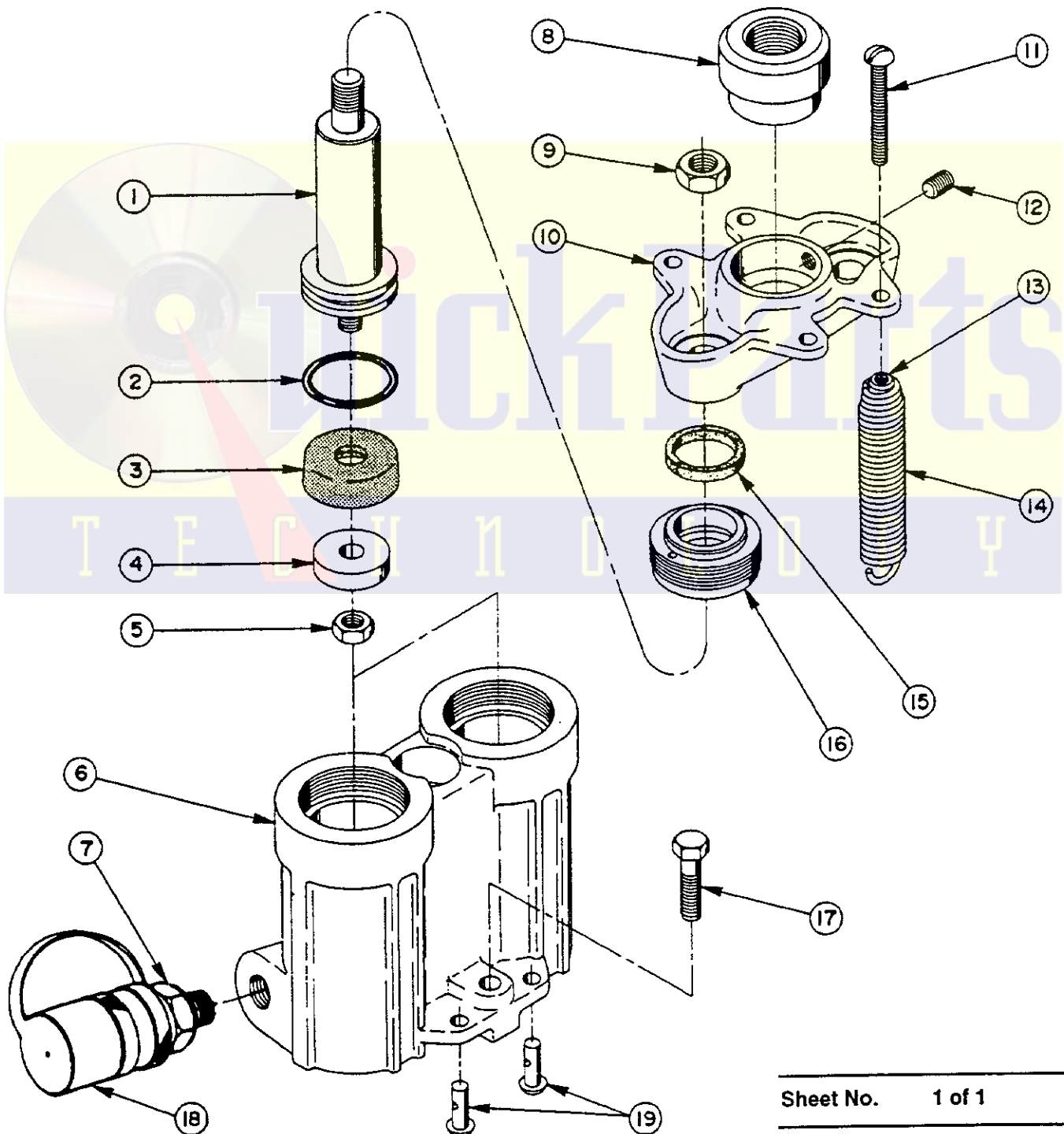
Form No. 101423

Parts List for:

4122
201898
Y50A
Y51A

SINGLE-ACTING, SPRING RETURN HYDRAULIC CYLINDER

Max. Capacity: 50 Tons At 10,000 PSI



Sheet No. 1 of 1

Issue Date: Rev. 6-5-96

Parts List, Form No. 101423, Back sheet 1 of 1

Item No.	Part No.	No. Req'd	Description
1	31070	2	Piston
2	*10295	2	O-ring (2-1/2 x 2-1/4 x 1/8, -228)
3	*10355	2	Packing Cup
4	22276	2	Follower Plate
5	12726	2	Hex Jam Locknut (5/9-18 UNF)
6	50085	1	Cylinder Body
7	25600-1	1	Ram Half Coupler (For 4122)
8	22274	1	Tapped Insert
9	10396	2	Hex Jam Nut (3/4-16 UNF)
10	22273	1	Cross Head
11	19721	4	Machine Screw (3/8-16 UNC x 3" Lg.)
12	10150	1	Set Screw (3/8-16 UNC x 1/2 Lg.)
13	22279	4	Return Spring Nut
14	204966	4	Return Spring
15	*22280	2	Felt Wiper Ring
16	31071	2	Cylinder Nut
17	10100	2	Hex Hd. Cap Screw (5/8-18 UNF x 1-3/4 Lg.)
18	9866	1	Dust Cap (For 4122)
19	22278	4	Return Spring Rivet

PARTS INCLUDED BUT NOT SHOWN

*203908	1	Warning Decal
*12980	1	Warning Decal
11127	1	Pressure Plug (For 201898)
252130	1	Decal (For 4122, Y51A)

Part numbers marked with an asterisk (*) are contained in Repair Kit No. 300360.

Refer to any operating instructions included with this product for detailed information about operation, testing, disassembly, reassembly, and preventive maintenance.

Items found in this parts list have been carefully tested and selected. Therefore: **Use only genuine OTC replacement parts!**

Additional questions can be directed to our Technical Services Department.

Note: Shaded areas reflect last revision(s) made to this form.