

POWER TEAM

A division of SPX Corporation
2121 West Bridge Street
Owatonna, MN 55060 USA
Phone: (507) 455-7100
Tech. Services: (800) 477-8326
Fax: (800) 765-8326
Order Entry: (800) 541-1418
Fax: (800) 288-7031
International Sales: (507) 455-7150
Fax: (507) 455-7122

OTC

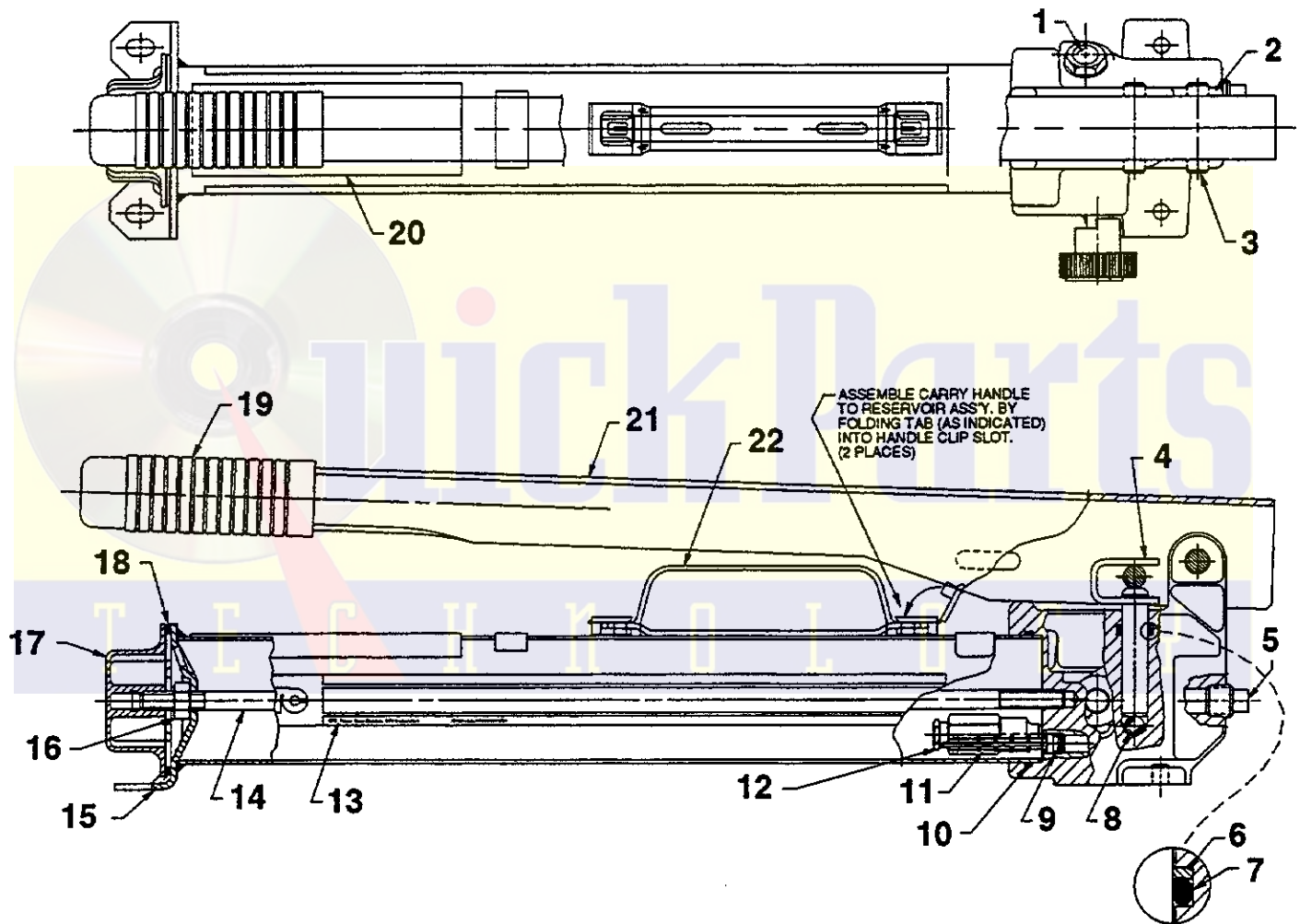
A division of SPX Corporation
655 Eisenhower Drive
Owatonna, MN 55060-0995 USA
Phone: (507) 455-7000
Tech. Services: (800) 533-6127
Fax: (800) 955-8329
Order Entry: (507) 455-1480
Fax: (800) 283-8665
International Sales: (507) 455-7223
Fax: (507) 455-7746

Parts List for:

1U-5230	62087	P55S
4002	925010	P55-SAUER
4002-ERA	H55	P55-SMI
61286	P55	P55VL
61522	P55-DE-STA-CO	P55-WMC-BK
61522-CELETTE	P55-GL	P55-WMC-BL
61715	P55-PFAFF	P55-WMC-RE

Form No. 100617

HYDRAULIC HAND PUMP SINGLE STAGE



Sheet No. 1 of 2

Issue Date: Rev. 5-1-96

Parts List, Form No. 100617, Back sheet 1 of 2

Item No.	Part No.	No. Req'd	Description	Item No.	Part No.	No. Req'd	Description
1	215907	1	Decal (DO NOT REMOVE)	15	350081	1	Reservoir Assembly
2	211743	4	Retaining Ring (7/16" shaft)		46952	1	Reservoir Assembly (For 61715 & 62087)
3	211742	2	Pin		47846	1	Reservoir Assembly (For P55-GL, 4002-ERA, & P55-DE-STA-CO)
4	211468	1	Piston Assembly		307940	1	Reservoir Assembly (For P55S)
5	11127	1	Pressure Plug		420217	1	Reservoir Assembly (For P55VL)
6	*†•213987	1	Backup Washer (11/16 x 1/2 x 3/64)	16	10204	1	Nut (3/8-16 UNC; Torque to 150/170 in. lbs.)
7	*†10271	1	O-ring (11/16 x 1/2 x 3/32)	17	52711	1	Reservoir Cap (Torque to 50/60 in. lbs.)
	•11445	1	Viton O-ring	18	*212739	1	Gasket
	19406	1	EPR O-ring		250731	1	Viton Gasket
8	*†10378	1	Steel Ball (3/8 dia.)	19	211769	1	Handle Grip
9	*†12557	1	O-ring (11/32 x 7/32 x 1/16)	20	*†305977	1	Warning Decal
	•18973	1	Viton O-ring	21	46919	1	Handle (For P55S)
	215375	1	EPR O-ring		46953OR9	1	Handle (For P55-GL)
10	*†211495	1	O-ring (2-11/16 x 2-1/2 x 3/32)		46953YE3	1	Handle (For 61715 & 62087)
	•213209	1	Viton O-ring		46953GY8	1	Handle (For P55-DE-STA-CO)
	215369	1	EPR O-ring		61287BL2	1	Handle (For 4002, 4002-ERA & P55-SAUER)
11	*†215075	1	Filter Plug		61287OR9	1	Handle (For P55)
	*†24789	1	Filter (Metal screen on pumps manufactured <u>before</u> 7-7-88)		61287WH2	1	Handle (For 61522, P55-PFAFF & 61522-CELETTE)
12	21278	1	Relief Valve (See NOTE below)		61287YE3	1	Handle (For 1U-5230)
	21278-28	1	Relief Valve (Set at 2,700/3,000 PSI; For P55-GL)		61287BK2	1	Handle (For 925010)
	21278-80	1	Relief Valve (Set at 8,100/8,700 PSI; For 61715)		61287PR3	1	Handle (For P55VL)
	21278-52	1	Relief Valve (Set at 5,100/5,700 PSI; For P55-WMC-RE & P55-DE-STA-CO)		64117BL2	1	Handle (For P55-WMC-BL)
	21278-86	1	Relief Valve (Set at 8,400/9,000 PSI; For P55-WMC-BL)		64117BK2	1	Handle (For P55-WMC-BK)
	21278-88	1	Relief Valve (Set at 8,900/9,500 PSI; For P55-WMC-BK)		64117RE3	1	Handle (For P55-WMC-RE)
	21278-112	1	Relief Valve (Set at 11,250 PSI; For P55VL)	22	58048	1	Carry Handle
13	306006	1	Trade Name Decal (For 4002)	PARTS INCLUDED BUT NOT SHOWN			
	306007	1	Trade Name Decal (For P55)	•205724	1	Decal (Viton Seals)	
	212985	1	Trade Name Decal (For 61522)	250328	1	Decal (EPR Seals)	
	13758	1	Trade Name Decal (For 1U-5230)	310039	1	Warning Decal (For 61522)	
14	211547	1	Tie Rod	214904	1	Decal (Fill level; For 61715, 62087, & P55-GL)	
	214079	1	Tie Rod (For 61715, 62087, P55-GL, 4002-ERA, & P55-DE-STA-CO)	251944	1	Product Decal (For P55-PFAFF)	
	214008	1	Tie Rod (For P55S)	305993	1	Metering Valve Assembly (For 4002-ERA)	
	250386	1	Tie Rod (For P55VL)	10676	1	Straight Fitting (For 4002-ERA)	
				10970	1	Pipe Plug (1/4 NPTF; For 4002-ERA)	
				307066	1	Handle Retainer (optional)	

Part numbers marked with an asterisk (*) are contained in Repair Kit No. 300450.

Part numbers marked with a dagger (†) are contained in Repair Kit No. 1U-5229.

Part numbers marked with a bullet (•) are contained in Viton Seal Kit No. 300472.

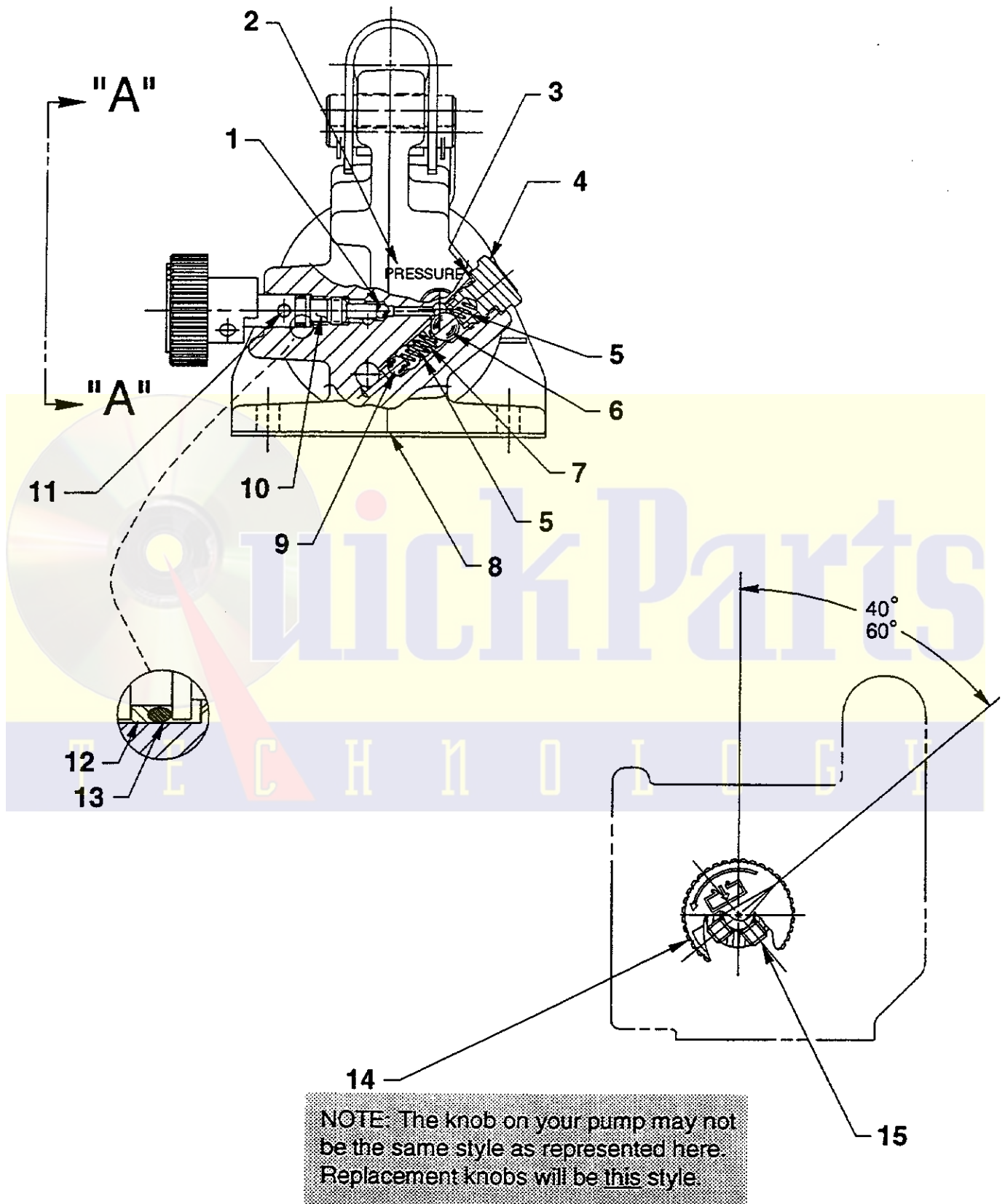
NOTE

Standard relief valves are set at 10,100/10,700 PSI.

Relief valves pre-set at special settings are available.

Refer to your pump model number or contact Power Team Technical Services.

END VIEW AND SECTION A-A



Note: Shaded areas reflect last revision(s) made to this form.

Parts List, Form No. 100617, Back sheet 2 of 2

Item No.	Part No.	No. Req'd	Description
1	*†12223	1	Ball (3/16 dia.)
2	215301	1	Decal (Pressure)
3	*†14874	1	Copper Washer (1/2" bolt)
4	305975	1	Valve Screw (Torque to 350/370 in. lbs.)
5	*†10444	2	Compression Spring (3/16 I.D. x 13/32 Lg.)
6	*†10378	1	Steel Ball (3/8 dia.)
7	*†211797	1	Compression Spring (5/32 O.D. x 5/8 Lg.)
8	61295	1	Pump Body
9	*†10375	1	Steel Ball (1/4 dia.)
10	350185	1	Release Valve Screw (When ordering this part number, also order Item #11, a nylon ball included in the Repair Kit.)
11	*†• 15528	1	Nylon Ball (Push in nylon ball until it bottoms out in hole. Permissible to flatten ball during assembly.)
12	*†• 15085	1	Backup Washer (7/16 x 5/16 x 3/64 Thk.)
13	*†10267	1	O-ring (7/16 x 5/16 x 1/16)
	• 18974	1	Viton O-ring
	13472	1	EPR O-ring
14	351087	1	Release Valve Knob (Note: Screw in valve stem until seated [bottomed out]. Then position knob as shown approx. 1/16" from casting surface. Lock in place with set screw [Item #15].)
15	10556	2	Set Screw (Torque to 50/70 in. lbs.)

Part numbers marked with an asterisk (*) are contained in Repair Kit No. 300450.

Part numbers marked with a dagger (†) are contained in Repair Kit No. 1U-5229.

Part numbers marked with a bullet (•) are contained in Viton Seal Kit No. 300472.

Refer to any operating instructions included with this product for detailed information about operation, testing, disassembly, reassembly, and preventive maintenance.

Items found in this parts list have been carefully tested and selected. **Therefore: Use only genuine replacement parts!**

Additional questions can be directed to our Technical Services Department.

Note: Shaded areas reflect last revision(s) made to this form.