



A division of SPX Corporation
655 Eisenhower Drive
Owatonna, MN 55060-0995 USA
Phone: (507) 455-7000
Tech. Services: (800) 533-6127
Fax: (800) 955-8329
Order Entry: (507) 455-1480
Fax: (800) 283-8665
International Sales: (507) 455-7223
Fax: (507) 455-7746

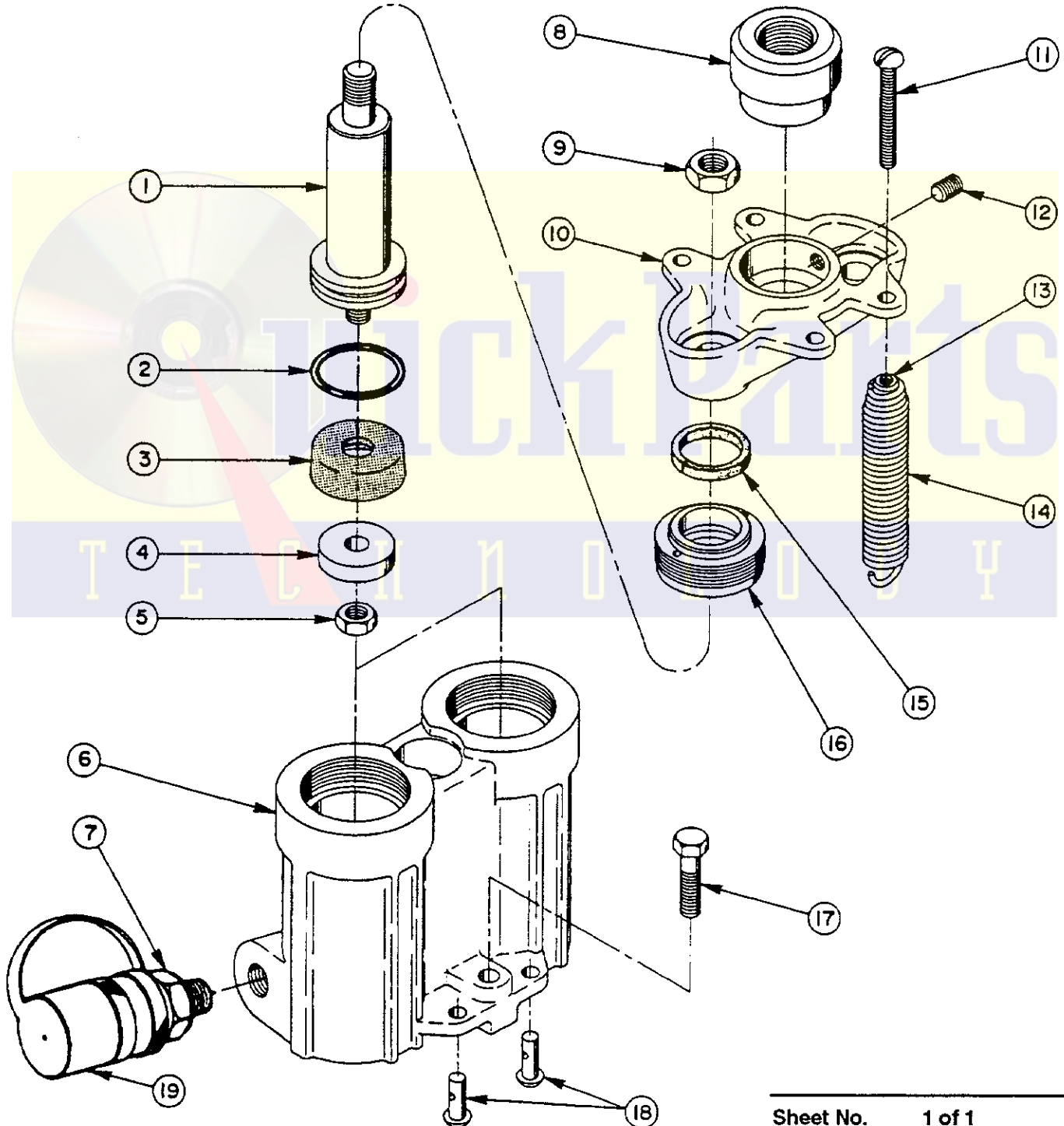
Form No. 101425

Parts List for:

4120
25896
201832
Y15A
Y16A

SINGLE-ACTING, SPRING RETURN HYDRAULIC CYLINDER

Max. Capacity: 17.7 Tons at 10,000 PSI



Sheet No. 1 of 1

Issue Date: Rev. 6-5-96

Parts List, Form No. 101425, Back sheet 1 of 1

Item No.	Part No.	No. Req'd	Description
1	30767	2	Piston
2	*10281	2	O-ring (1-1/2 x 1-1/4 x 1/8)
3	*10351	2	Packing Cup
4	21667	2	Follower Plate
5	12724	2	Locknut (3/8-24)
6	40222	1	Cylinder Body
7	25600-1	1	Ram Half Coupler
8	21669	1	Tapped Insert (For 4120, 201832, & Y15A)
	21714	1	Plain Insert (For Y16A)
9	10390	2	Hex. Jam Nut (1/2-20 UNF)
10	21918	1	Cross Head
11	11004	4	Machine Screw (1/4-20 UNC x 2" Lg.)
12	10142	1	Set Screw (5/16-18 UNC x 3/8 Lg.)
13	21668	4	Return Spring Nut
14	21930	4	Return Spring
15	*21994	2	Felt Wiper Ring
16	21666	2	Cylinder Nut
17	10033	2	Hex. Hd. Cap Screw (5/16-24 UNF x 1-1/4 Lg.; Not included with 25896)
18	21715	4	Return Spring Rivet
19	9866	1	Dust Cap

PARTS INCLUDED BUT NOT SHOWN

*12980	1	Warning Decal
*206392	1	Warning Decal
252132	1	Decal (For 4120)

Part numbers marked with an asterisk (*) are contained in Repair Kit No. 300358.

Refer to any operating instructions included with this product for detailed information about operation, testing, disassembly, reassembly, and preventive maintenance.

Items found in this parts list have been carefully tested and selected. Therefore: **Use only genuine OTC replacement parts!**

Additional questions can be directed to our Technical Services Department.

Note: Shaded areas reflect last revision(s) made to this form.