



A division of SPX Corporation  
 655 Eisenhower Drive  
 Owatonna, MN 55060-1171 USA  
 Phone: (507) 455-7000  
 Tech. Serv.: (800) 533-6127  
 Fax: (800) 955-8329  
 Order Entry: (507) 455-1480  
 Fax: (800) 283-8665

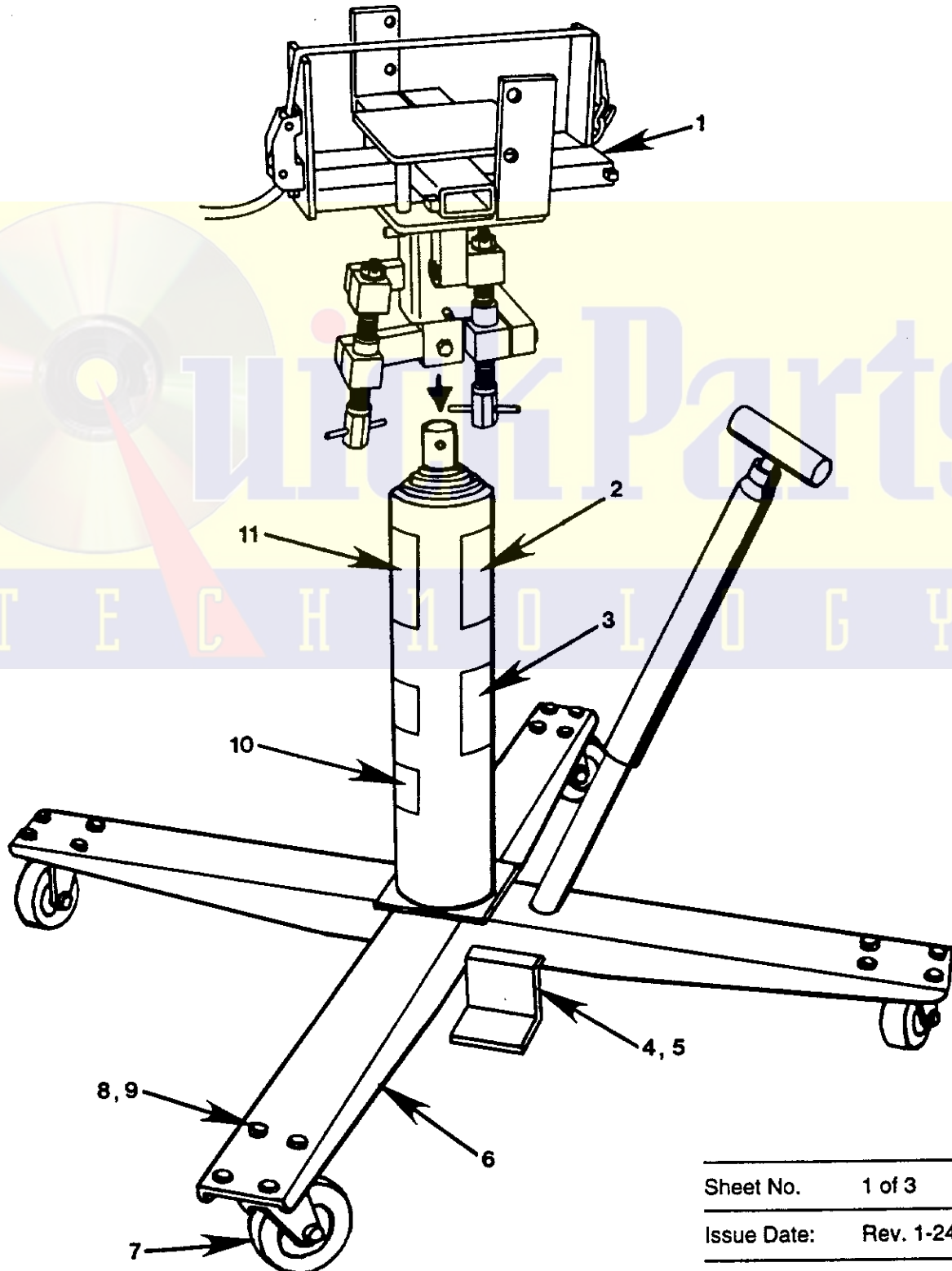
Form No. 100827

Parts List  
 for:

014-00210  
 1785-A  
 TOY-60731

## MODEL B HIGH-LIFT TRANSMISSION JACK

Capacity: First Stage - 1,000 lbs. Max.  
 Second Stage - 750 lbs. Max.



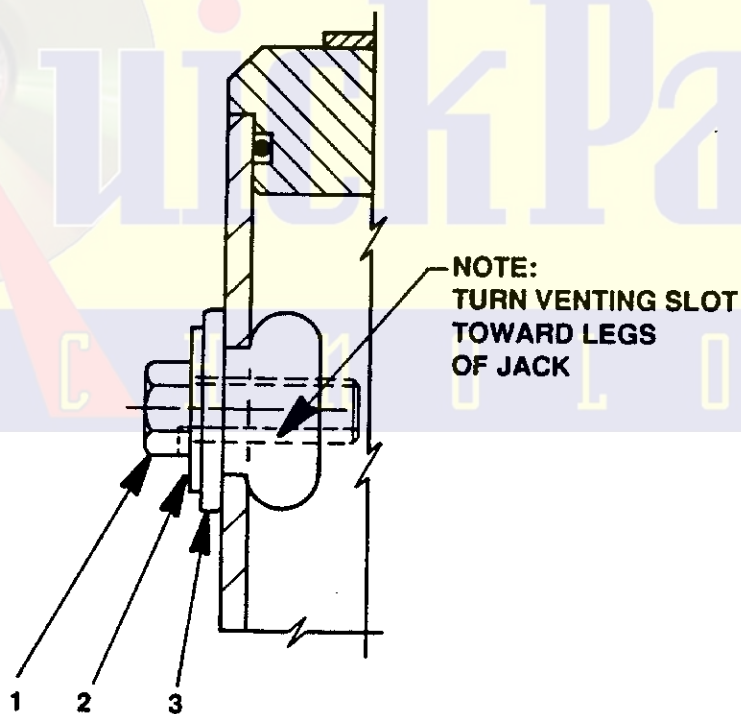
Sheet No. 1 of 3

Issue Date: Rev. 1-24-95

| Item No. | Part No.  | No. Req'd | Description   |
|----------|-----------|-----------|---|
| 1        | 61968     | 1         | Transmission Adapter (See Form No. 102574)                      |
| 2        | *39522    | 1         | Warning Decal (For 1785-A & TOY-60731)                          |
|          | *310043   | 1         | Warning Decal (For 014-00210)                                   |
| 3        | 309956    | 1         | Decal (Made in USA)   |
| 4        | 10006     | 2         | Soc. Hd. Cap Screw (1/4-20 x 5/8 Lg.; Torque to 55/65 in. lbs.) |
| 5        | 37179     | 1         | Release Valve Pedal   |
| 6        | 60389-BL2 | 1         | Leg Weldment (For 1785-A)                                       |
|          | 60389-RE2 | 1         | Leg Weldment (For 014-00210 & TOY-60731)                        |
| 7        | 214486    | 4         | Swivel Caster   |
| 8        | 10027     | 16        | Hex Hd. Cap Screw (5/16-18 x 5/8 Lg.)                           |
| 9        | 10201     | 16        | Hex Nut (5/16-18)   |
| 10       | 205326    | 1         | Trade Name Decal (For 014-00210)                                |
| 11       | 11280     | 1         | Trade Name Decal (For 1785-A & TOY-60731)                       |

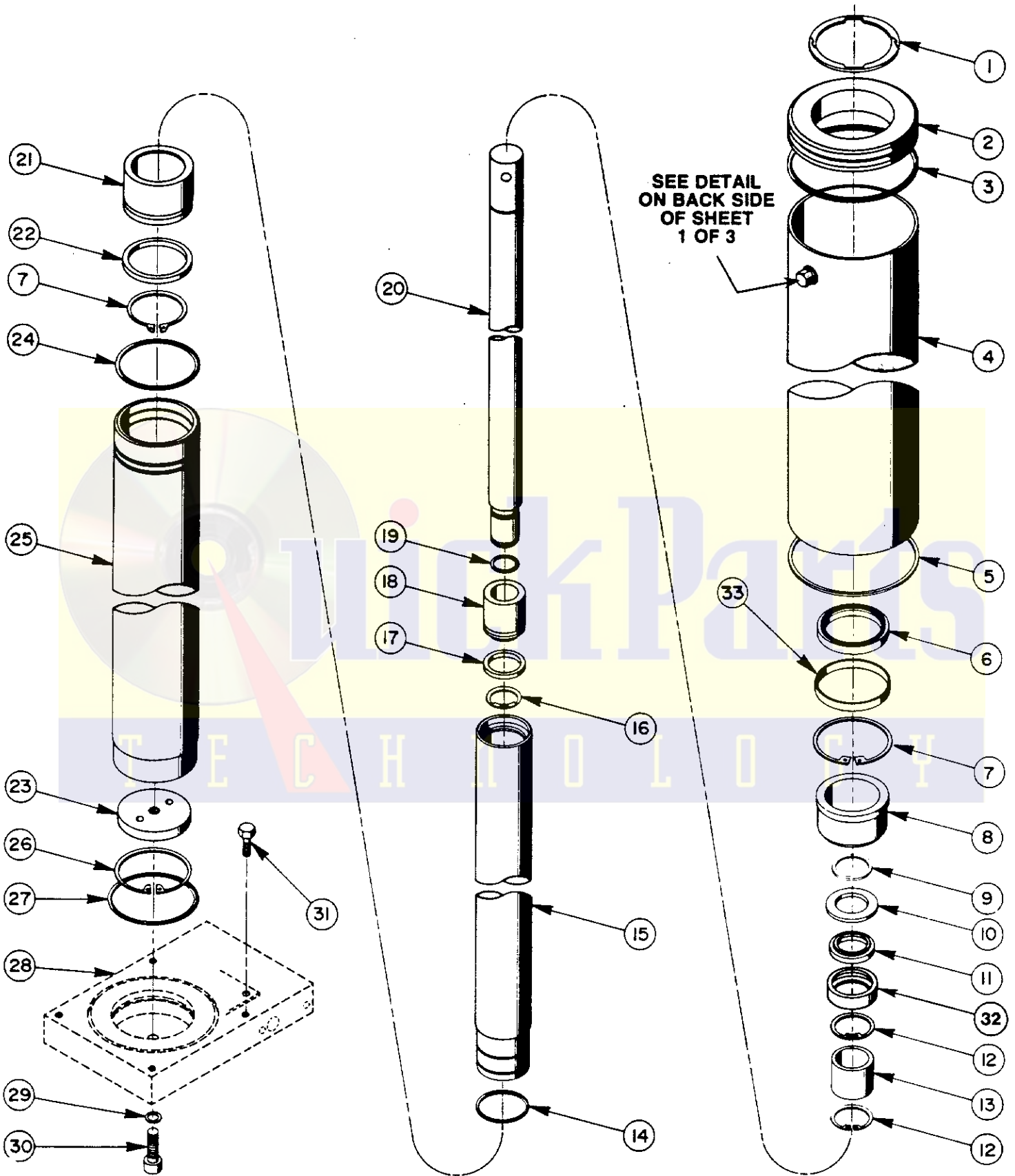
Part numbers marked with an asterisk (\*) are contained in Repair Kit No. 300491.

### RESERVOIR PLUG DETAIL



| Item No. | Part No. | No. Req'd | Description               |
|----------|----------|-----------|---------------------------|
| 1        | 214996   | 1         | Hex Hd. Cap Screw         |
| 2        | 10231    | 1         | Wrought Washer (3/8 bolt) |
| 3        | 205580   | 1         | Rubber Expansion Plug     |

### JACK ASSEMBLY

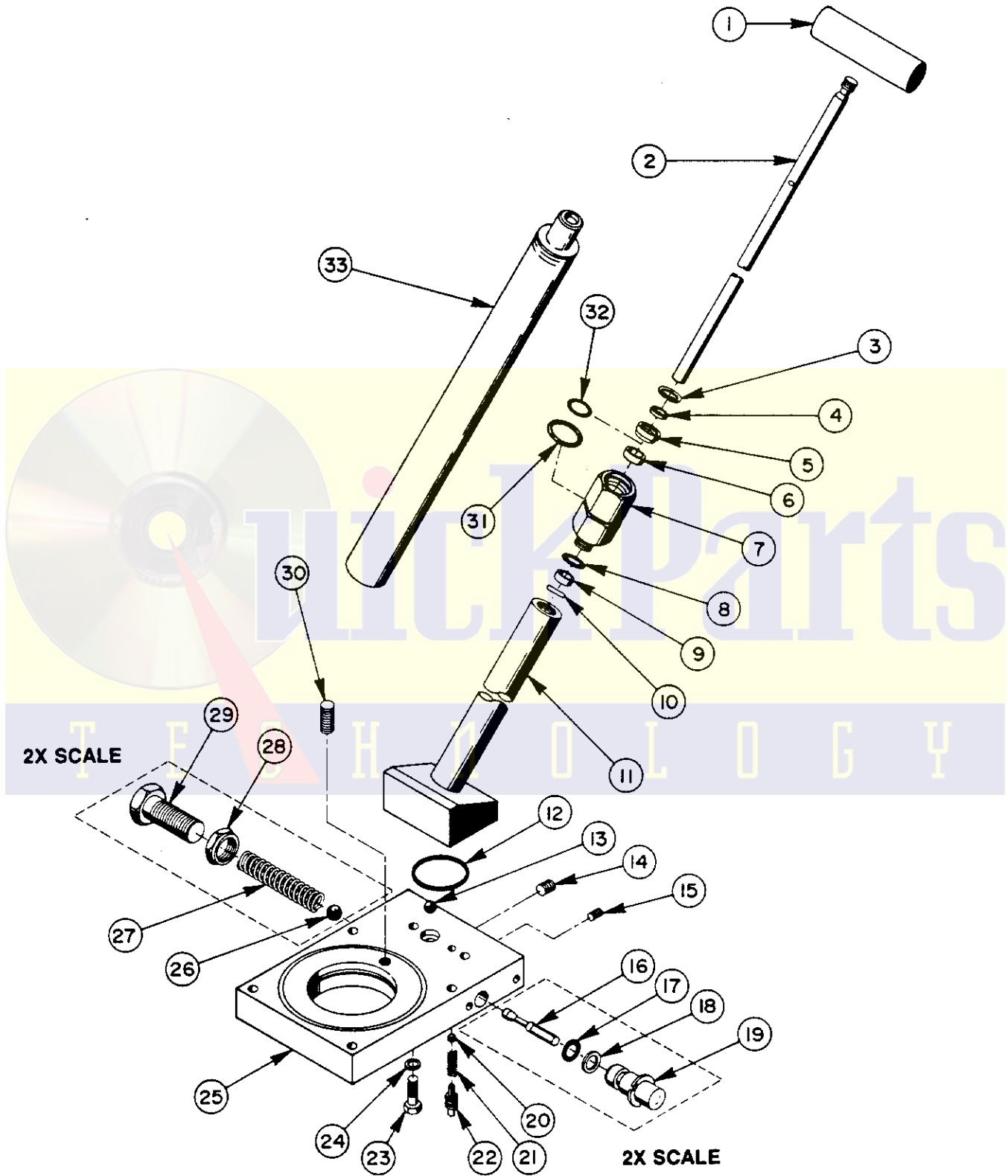


| Item No. | Part No. | No. Req'd | Description   |
|----------|----------|-----------|---|
| 1        | 17230    | 1         | Retaining Ring (For 3" hole)                                      |
| 2        | 37140    | 1         | Reservoir Cap   |
| 3        | *10858   | 1         | O-ring (4-1/2 x 4-1/4 x 1/8)                                      |
| 4        | 37138    | 1         | Reservoir Tube  |
| 5        | *17047   | 1         | Backup Washer (4-3/4 x 4-1/2 x 1/16)                              |
| 6        | *215023  | 1         | Seal (Install spring up)  |
| 7        | 14365    | 2         | Internal Retaining Ring (For 2-5/8" hole)                         |
| 8        | 39478    | 1         | Bushing   |
| 9        | 16250    | 1         | Inverted External Retaining Ring (For 1" shaft)                   |
| 10       | 203559   | 1         | Special Washer (1-7/8" O.D.)                                      |
| 11       | *215022  | 1         | Seal (Install lip up)   |
| 12       | 17228    | 2         | Retaining Ring (For 1-1/2" hole)                                  |
| 13       | 203055   | 1         | Bushing   |
| 14       | *18669   | 1         | O-ring (1-7/8 x 1-3/4 x 1/16)                                     |
| 15       | 43819    | 1         | Small Cylinder  |
| 16       | 15673    | 1         | Inverted External Retaining Ring (For 1-3/16" shaft)              |
| 17       | *212021  | 1         | U-cup   |
| 18       | 39449    | 1         | Bushing   |
| 19       | *10658   | 1         | O-ring (1" x 13/16 x 3/32)  |
| 20       | 43818    | 1         | Rod   |
| 21       | 39469    | 1         | Bushing   |
| 22       | *19570   | 1         | U-cup   |
| 23       | 203056   | 1         | Cylinder End  |
| 24       | *12504   | 1         | O-ring (3" x 2-13/16 x 3/32)                                      |
| 25       | 43823    | 1         | Large Cylinder  |
| 26       | 205738   | 1         | External Retaining Ring (For 1-7/8" shaft)                        |
| 27       | *11520   | 1         | O-ring (3-1/4 x 3" x 3/32)  |
| 28       | 51021    | 1         | Base  |
| 29       | *12042   | 1         | Copper Washer (9/16 x 3/8 x 1/32)                                 |
| 30       | 10050    | 1         | Soc. Hd. Cap Screw (3/8-16 x 1" Lg.;<br>Torque to 35/45 ft. lbs.) |
| 31       | 11858    | 4         | Hex Hd. Cap Screw (5/16-18 x 7/8 Lg.)                             |
| 32       | *215020  | 1         | Seal Retainer   |
| 33       | *215021  | 1         | Seal Retainer   |

**NOTE:** The jack is shipped with 3/4 gallon of OTC hydraulic oil.

Part numbers marked with an asterisk (\*) are contained in Repair Kit No. 300491.

### BASE ASSEMBLY



| Item No. | Part No. | No. Req'd | Description   |
|----------|----------|-----------|---|
| 1        | 203061   | 1         | T-handle  |
| 2        | 37182    | 1         | Pump Rod  |
| 3        | 12994    | 1         | Internal Retaining Ring (For 1" hole)                               |
| 4        | *17200   | 1         | Rod Wiper Seal  |
| 5        | 205657   | 1         | Seal Retainer   |
| 6        | *205656  | 1         | U-cup   |
| 7        | 37183    | 1         | Cylinder Pump End   |
| 8        | *10653   | 1         | O-ring (.949 x .755 x .097 CS)                                      |
| 9        | *203560  | 1         | Special Washer (3/4" O.D.)  |
| 10       | 17051    | 1         | Dowel Pin (3/16 dia. x 3/4 Lg.)                                     |
| 11       | 203057   | 1         | PUMP Assembly Cylinder  |
| 12       | *11303   | 1         | O-ring (1-7/8 x 1-11/16 x 3/32 CS)                                  |
| 13       | 10379    | 1         | Steel Ball (1/2 dia.; Seat at assembly)                             |
| 14       | 16232    | 1         | Pressure Plug (3/8 NPTF)  |
| 15       | 10479    | 1         | Pressure Plug (1/4 NPTF)  |
| 16       | 203060   | 1         | Metering Stem   |
| 17       | *10266   | 1         | O-ring (3/8 x 1/4 x 1/16 CS)  |
| 18       | *12184   | 1         | Backup Washer (3/8 x 1/4 x .048, -010; Teflon)                      |
| 19       | 203059   | 1         | Plunger Assembly  |
| 20       | 14476    | 1         | Steel Ball (11/32 dia.; Seat at assembly)                           |
| 21       | 17040    | 1         | Compression Spring (3/8 O.D. x 7/8 Lg.)                             |
| 22       | 204231   | 1         | Plug Assembly   |
| 23       | 10036    | 2         | Hex Hd. Cap Screw (5/16-18 x 2" Lg.;<br>Torque to 105/115 in. lbs.) |
| 24       | 10257    | 6         | Washer (5/16 bolt size)   |
| 25       | 51021    | 1         | Base  |
| 26       | 10377    | 1         | Steel Ball (5/16 dia.; Seat at assembly)                            |
| 27       | 17035    | 1         | Compression Spring (3/8 O.D. x 2-3/4 Lg.)                           |
| 28       | 17037    | 1         | Tru-Seal Nut  |
| 29       | 10066    | 1         | Hex Hd. Cap Screw (7/16-20 x 1-1/4 Lg.)                             |
| 30       | 205751   | 1         | Stand Pipe  |
| 31       | *16852   | 1         | O-ring (1.280 x 1.048 x .116, -914)                                 |
| 32       | *12549   | 1         | O-ring (13/16 x 11/16 x 1/16, -017)                                 |
| 33       | 308051   | 1         | End Cap   |

Part numbers marked with an asterisk (\*) are contained in Repair Kit No. 300491.

Refer to any operating instructions included with the product for detailed information about operation, testing, disassembly, reassembly, and preventive maintenance.

Items found in this parts list have been carefully tested and selected by OTC. Therefore: **Use only OTC replacement parts!**

Additional questions can be directed to our Technical Services Department.